



LED Explosion Proof Light

**ATEX & IECEx Certified LED Floodlight Hazardous Area.
Tank Series**

- ⊕ II 2 G Ex db IIC T* Gb
- ⊕ II 2 D Ex tb IIIC T* Db IP66





Features And Benefits:

- High efficacy LED Source with long lifespan, L70 > 100,000 hours @ 25°C ambient
- 3-year Warranty(12Hrs / Day) or 14000hrs @ Ta=-40°C~+80°C
- Low THD around 10%,Less interference
- 6KV Surge Protection
- Robust aluminium housing and strong tempered glass
- Vibration and shock resistant
- Low maintenance
- Dust proof structure design to avoid dust accumulation

Applications:



Oil&Gas Exploration



Drilling



Oil Refinery



Petrochemical Plant



Power Plant



Pharmaceutical Plant



ATEX & IECEx Certified LED Floodlight in Hazardous Area.

LED Floodlight

Standard & Certificate:

Ex Mark:	Gas: Ⓜ II 2 G Ex db IIC T* Gb Dust: Ⓜ II 2 D Ex tb IIIC T* Db IP66
Certificate:	ATEX Certification NO.: TÜV 21 ATEX 8775 X IECEx Certification NO.: IECEx TUR 21.0070X
Executive Standard:	(IEC)EN 60079-0, (IEC)EN 60079-1, (IEC)EN 60079-28, (IEC)EN 60079-31 EN 55015, EN 61547, EN 61000-3-2, EN 61000-3-3, EN 60598-1, EN 60598-2-5, EN 62031, EN 62493, IEC 62321-4, IEC 62321-5, IEC 62321-6, IEC 62321-7-1 IEC 62321-7-2, IEC 62321-8
Classification:	Group II, Zone 1 & 21 and 2 & 22

Electrical & Photometric Features:

Luminaire Efficacy:	Max:120lm/W
Lifespan:	>100,000 hours
Operating Voltage:	100-277 VAC
Power:	80W(Single lamp),160W(Two lamps),240W(Four lamps)
Frequency:	50/60Hz
Power Factor:	>0.98
THD:	<10%
Insulation Class:	I
Surge Protection:	4KV/6KV
LED Driver:	Over voltage protection/short circuit protection

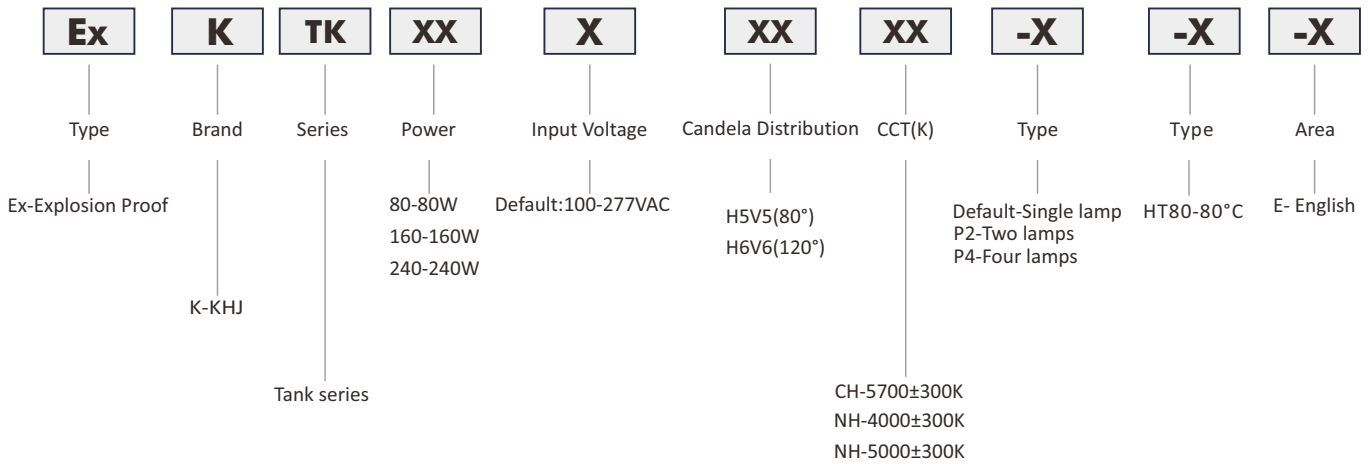
Mechanical Features:

Weight:	9.3Kg(80W)/15Kg(160W)/31kg(240W)
Size:	332*212*142mm(80W)/332*426*142mm(160W) /671*426*142mm(240W)
Ambient Temperature:	-40°C~+80°C
Connecting Terminals:	3*1.0-4mm ² (L+N+PE)
Cable Entries:	2XM20*1.5 (NPT 3/4", M25*1.5 are optional)
Earthing Protection:	M4 (Internal & external earth bolts)
IP Code:	IP66
Enclosure Material:	Aluminium
Enclosure Colour:	Grey RAL7040
Coating:	Epoxy powder coating
Exposed Fastener:	Stainless steel
Protective Cover:	Tempered glass,Stand 7J impact



ATEX & IECEx Certified LED Floodlight in Hazardous Area.

Production Definition

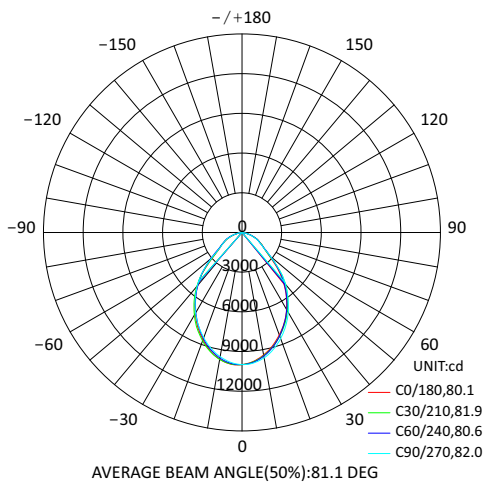


Ordering information

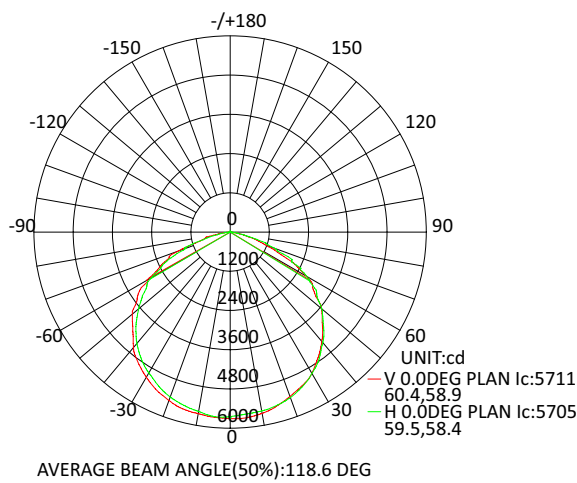
P/N	Operating Voltage(V)	Luminous Flux(lm)	Power(W)	CRI	Color Temp.	CCT(K)	Temp. Classification -40°C~+80°C	
Ex-KTK80**CH-HT80-E	100-277 VAC	9600	80	70	Cool white	5700±300	T5	
Ex-KTK80**NH-HT80-E		9600		70	Natural white	5000±300	T5	
Ex-KTK80**NH-HT80-E		9600		70	Natural white	4000±300	T5	
Ex-KTK160**CH-P2-HT80-E		100-277 VAC	19200	160	70	Cool white	5700±300	T5
Ex-KTK160**NH-P2-HT80-E			19200		70	Natural white	5000±300	T5
Ex-KTK160**NH-P2-HT80-E			19200		70	Natural white	4000±300	T5
Ex-KTK240**CH-P4-HT80-E			28800	240	70	Cool white	5700±300	T5
Ex-KTK240**NH-P4-HT80-E					70	Natural white	5000±300	T5
Ex-KTK240**NH-P4-HT80-E					70	Natural white	4000±300	T5

Remarks: 1.The first * stands for Operating Voltage including default -100-277VAC.
2.The second * stands for Candela Distribution including H5V5,H6V6.

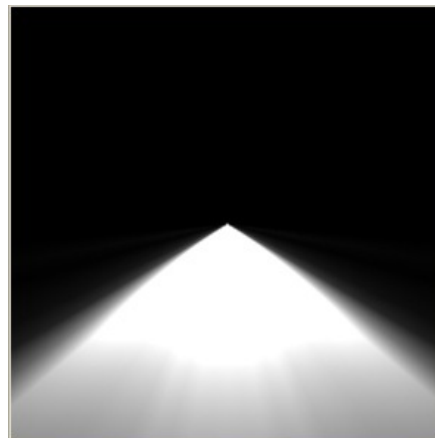
Candela Distribution



H5V5(80°)/High efficacy LED Source



H6V6(120°)/High efficacy LED Source

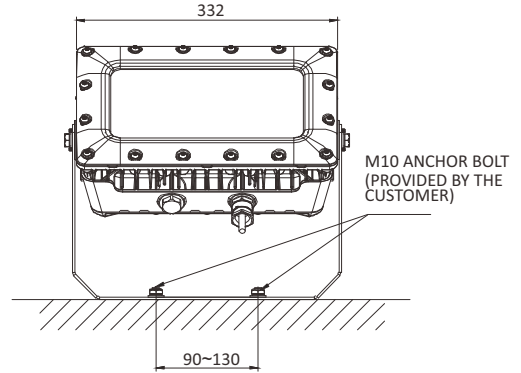
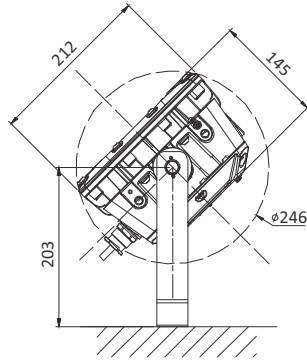
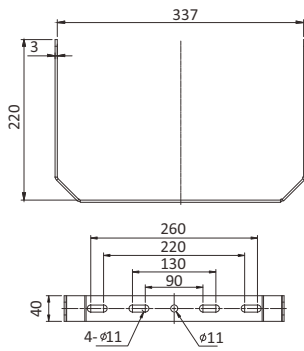


Installation Method

Stanchion mount / Wall mount:

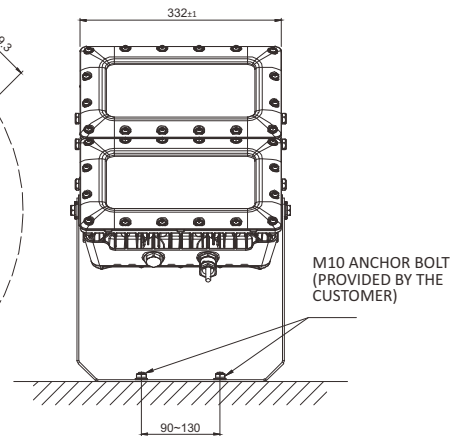
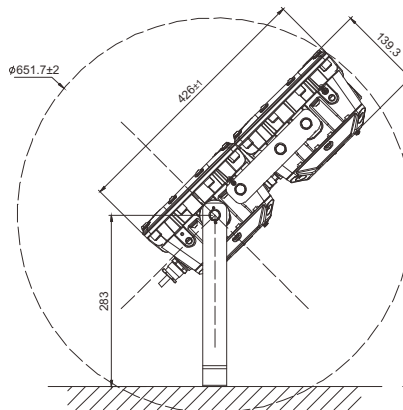
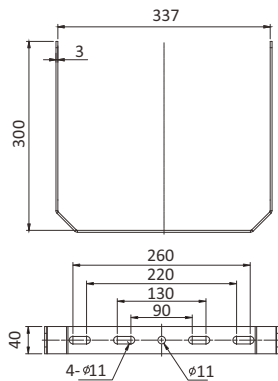
(unit:mm)

360°ROTATION(EVERY15° IS A ROTATION ANGLE),



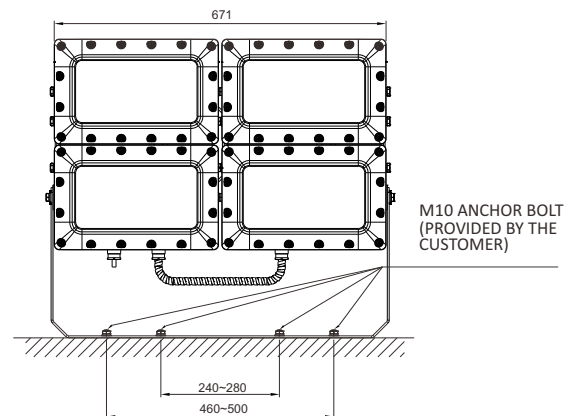
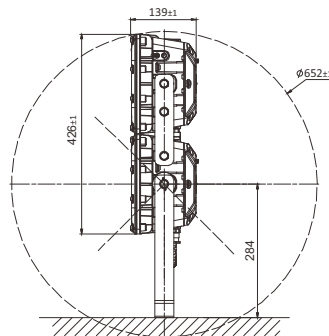
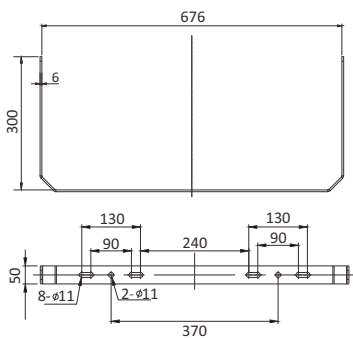
SBT-TK-SUS316
Single lamp

180°ROTATION(EVERY15° IS A ROTATION ANGLE),



SBT-TK-2-SUS316
Two lamps

180°ROTATION(EVERY15° IS A ROTATION ANGLE),

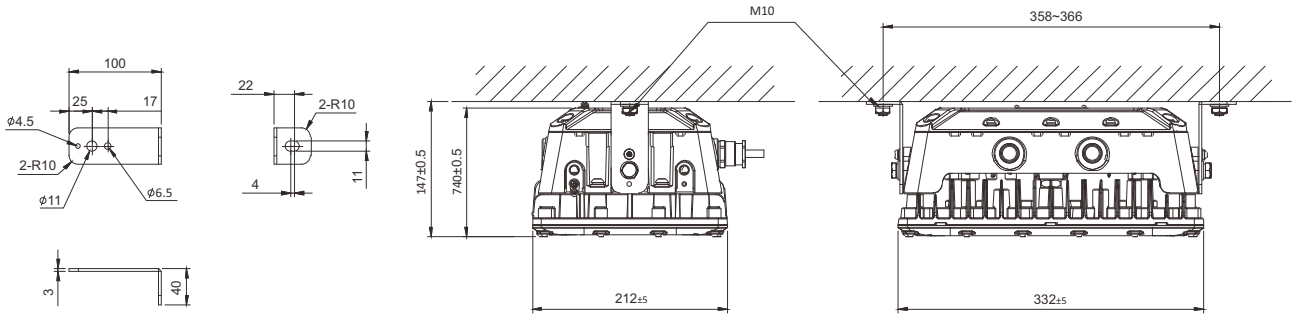


SBT-TK-4-G
Four lamps

Installation Method

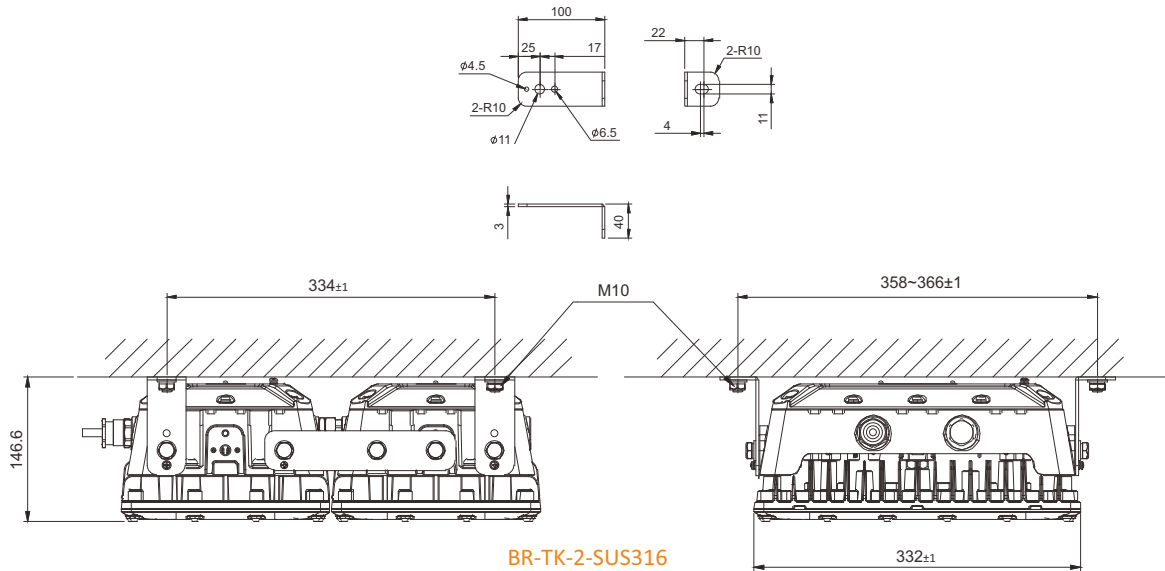
Ceiling mount:

(unit:mm)



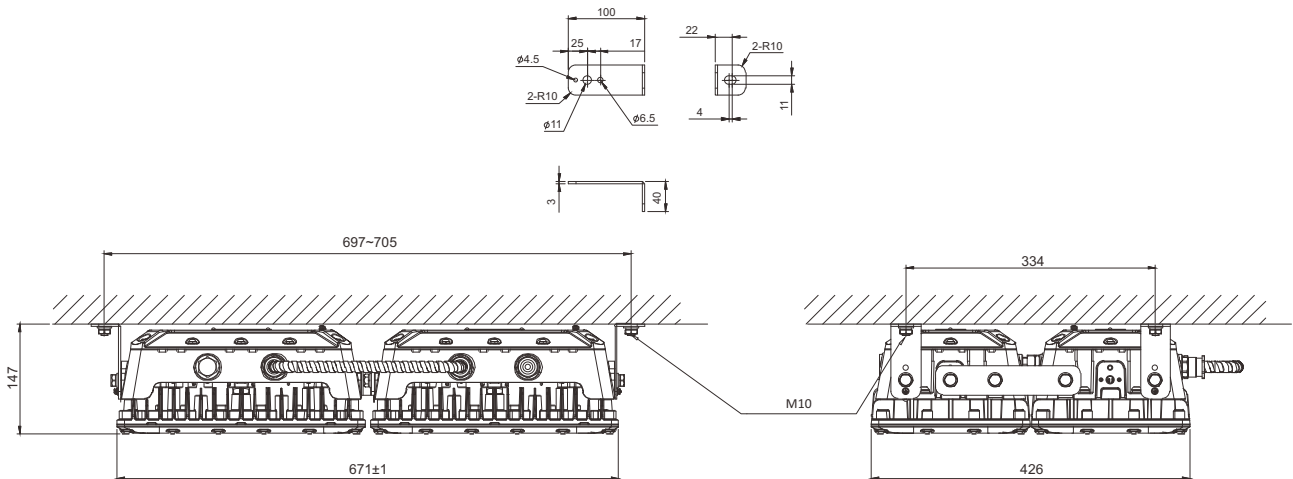
BR-TK-SUS316

Single lamp



BR-TK-2-SUS316


Two lamps



BR-TK-2-SUS316

Four lamps

Optional Parts

No.	Installation Accessories	Part No.	Picture	Material	Weight(Kg)	QTY	Remarks
1	Ceiling Bracket	BR-TK-SUS316		SUS316	0.9	1	Single lamp
		BR-TK-2-SUS316		SUS316	1.8	1	Two lamps Four lamps
2	Stanchion Bracket	SBT-TK-SUS316		SUS316	0.8	1	
3	Stanchion Bracket	SBT-TK-2-SUS316		SUS316	1	1	
4	Stanchion Bracket	SBT-TK-4-G		Q235	3	1	