



## LED Explosion Proof Light

**ATEX & IECEx Certified LED Floodlight/bay light**  
**High bay light in Hazardous Area.**  
**Seal-B Series**

- ⚡ II 3 G Ex nR IIC T5/T6 Gc
- ⚡ II 3 D Ex tc IIIC T80°C/T95°C Dc





## Features And Benefits:

- High efficacy LED Source with long lifespan, L70 > 100,000 hours @ 25°C ambient
- 5-year performance warranty
- Low THD around 10%, Less interference
- 4KV/Line-Line 6KV/Line-Earth
- Robust aluminium housing and strong tempered glass
- Vibration and shock resistant
- Low maintenance

## Applications:



Oil&Gas Exploration



Drilling



Oil Refinery



Petrochemical Plant



Power Plant



Pharmaceutical Plant



ATEX & IECEX Certified LED Floodlight/bay light/High bay light in Hazardous Area.

## LED Floodlight/High bay light

Standard & Certificate:	
Ex Mark:	Gas:  II 3 G Ex nR IIC T5/T6 Gc Dust:  II 3 D Ex tc IIIC T80°C/T95°C Dc
Certificate:	<ul style="list-style-type: none"> <li>• ATEX Certification NO.: TÜV 25 ATEX 9310 X</li> <li>• IECEX Certification NO.: IECEX TUR 25.0050X</li> <li>• CE</li> <li>• RoHS</li> </ul>
Executive Standard:	<ul style="list-style-type: none"> <li>• IEC 60079-0:2017, Edition 7.0, EN IEC 60079-0:2018,</li> <li>• IEC 60079-31:2022, Edition 3.0, EN 60079-31:2014,</li> <li>• IEC 60079-15: 2017, Edition 5.0, EN IEC 60079-15: 2019</li> <li>• EN 55015, EN 61547, EN 61000-3-2, EN 61000-3-3,</li> <li>• EN 60598-1, EN 60598-2-5, EN 62031, EN 62493,</li> <li>• IEC 62321-1, IEC 62321-3-1, IEC 62321-4, IEC 62321-5,</li> <li>• IEC 62321-6, IEC 62321-7-1, IEC 62321-7-2, IEC 62321-8</li> </ul>
Classification:	Group II, Zone 2 & 22

Electrical & Photometric Features:	
Luminaire Efficacy:	150lm/W
Lifespan:	>100,000 hours
Operating Voltage:	100~277VAC 141~392VDC(80-240W), 220~277VAC 311~392VDC(300W) 347~480VAC 491~679VDC(optional)
Power:	80W/100W/120W/150W/200W/240W/300W
Frequency:	50/60Hz
Power Factor:	>0.98
THD:	<10%
CRI:	>70
Insulation Class:	I
Surge Protection:	4KV/6KV
LED Driver:	Over voltage protection/short circuit protection

Mechanical Features:	
Weight:	6.4Kg(80W/100W/120W/150W)/8.9Kg(200W/240W/300W)
Size:	332*282*167mm(80W/100W/120W/150W) 332*435*167mm(200W/240W/300W)
Ambient Temperature:	-40°C~+55°C (Please refer to the table on the following page)
Connecting Terminals:	3*1.0-4mm <sup>2</sup> (L+N+PE)
Cable Entries:	2XNPT 3/4" (M20*1.5, M25*1.5 are optional)
Earthing Protection:	M4 (Internal & external earth bolts)
IP Code:	IP66
Enclosure Material:	Die-casting aluminium alloy
Enclosure Colour:	Grey RAL7040
Coating:	Epoxy powder coating
Exposed Fastener:	Stainless steel
Protective Cover:	Tempered glass, Stand 7J impact



ATEX & IECEx Certified LED Floodlight/bay light/High bay light in Hazardous Area.

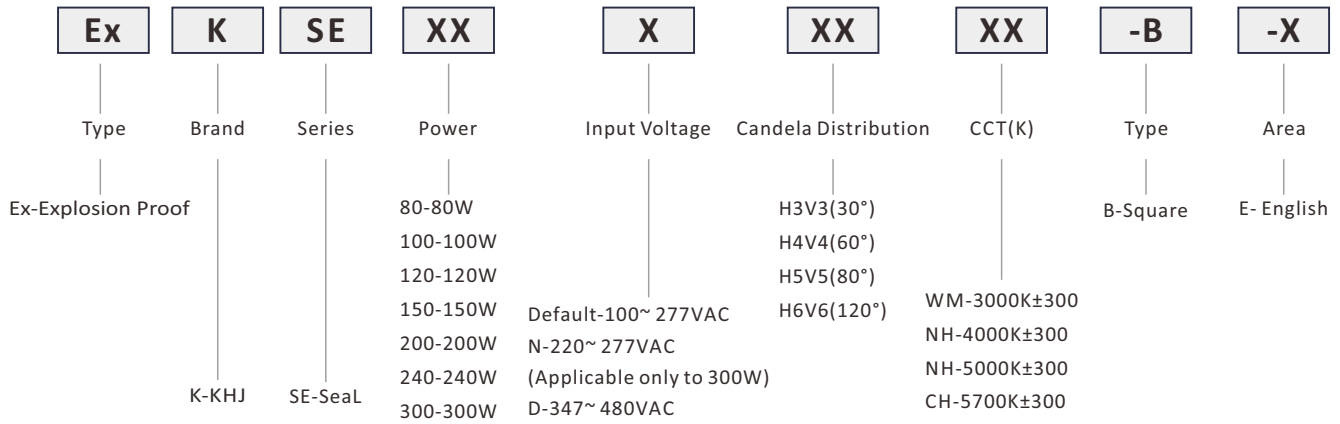
## LED Floodlight/bay light/High bay light

Product Differentiation					
P/N	Rated Voltage	Rated Power ( W )	Ta (°C)	Gas (Ex nR)	Dust (°C)
Ex-KSE80-B	100~277VAC	80W	-40-55°C	T6	80°C
Ex-KSE100-B		100W	-40-55°C	T6	80°C
Ex-KSE120-B		120W	-40-55°C	T5	95°C
Ex-KSE120-B		120W	-40-52°C	T6	80°C
Ex-KSE150-B	110~277VAC	150W	-40-55°C	T5	95°C
Ex-KSE150-B		150W	-40-52°C	T6	80°C
Ex-KSE200-B	100~277VAC	200W	-40-55°C	T5	95°C
Ex-KSE200-B		200W	-40-50°C	T6	80°C
Ex-KSE240-B		240W	-40-55°C	T5	95°C
Ex-KSE240-B		240W	-40-50°C	T6	80°C
Ex-KSE300N-B	220~277VAC	300W	-40-50°C	T5	95°C
Ex-KSE300N-B		300W	-40-42°C	T6	80°C
Ex-KSE80D-B	347~480VAC	80W	-40-55°C	T6	80°C
Ex-KSE100D-B		100W	-40-55°C	T6	80°C
Ex-KSE120D-B		120W	-40-55°C	T5	95°C
Ex-KSE120D-B		120W	-40-53°C	T6	80°C
Ex-KSE150D-B		150W	-40-55°C	T5	95°C
Ex-KSE150D-B		150W	-40-53°C	T6	80°C
Ex-KSE200D-B		200W	-40-55°C	T5	95°C
Ex-KSE200D-B		200W	-40-47°C	T6	80°C
Ex-KSE240D-B		240W	-40-55°C	T5	95°C
Ex-KSE240D-B		240W	-40-47°C	T6	80°C
Ex-KSE300D-B		300W	-40-50°C	T5	95°C
Ex-KSE300D-B		300W	-40-44°C	T6	80°C



ATEX & IECEx Certified LED Floodlight/bay light/High bay light in Hazardous Area.

## Production Definition

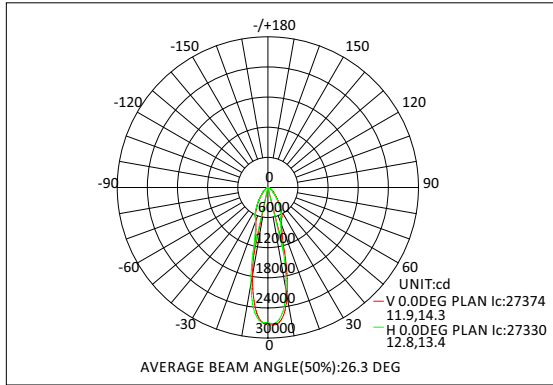


## Ordering Information

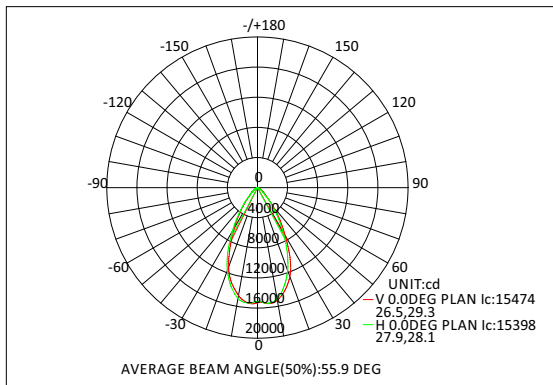
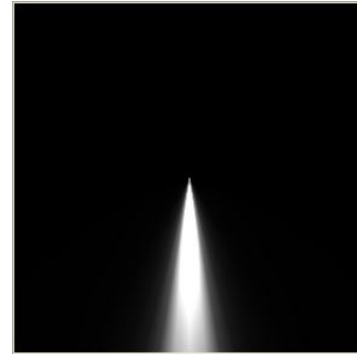
P/N	Operating Voltage(V)	Luminous Flux(lm)	Power(W)	Color Temp.	CCT(K)
Ex-KSE80*WM-B-E	100~277 AC (141~392 DC)	11160	80	Warm white	3000±300
Ex-KSE80*NH-B-E		12000	80	Natural white	4000±300
Ex-KSE80*NH-B-E		12000	80	Natural white	5000±300
Ex-KSE80*CH-B-E		12000	80	Cool white	5700±300
Ex-KSE100*WM-B-E		13950	100	Warm white	3000±300
Ex-KSE100*NH-B-E		15000	100	Natural white	4000±300
Ex-KSE100*NH-B-E		15000	100	Natural white	5000±300
Ex-KSE100*CH-B-E		15000	100	Cool white	5700±300
Ex-KSE120*WM-B-E		16740	120	Warm white	3000±300
Ex-KSE120*NH-B-E		18000	120	Natural white	4000±300
Ex-KSE120*NH-B-E		18000	120	Natural white	5000±300
Ex-KSE120*CH-B-E		18000	120	Cool white	5700±300
Ex-KSE150*WM-B-E		20925	150	Warm white	3000±300
Ex-KSE150*NH-B-E		22500	150	Natural white	4000±300
Ex-KSE150*NH-B-E		22500	150	Natural white	5000±300
Ex-KSE150*CH-B-E		22500	150	Cool white	5700±300
Ex-KSE200*WM-B-E		27900	200	Warm white	3000±300
Ex-KSE200*NH-B-E		30000	200	Natural white	4000±300
Ex-KSE200*NH-B-E		30000	200	Natural white	5000±300
Ex-KSE200*CH-B-E		30000	200	Cool white	5700±300
Ex-KSE240*WM-B-E	33480	240	Warm white	3000±300	
Ex-KSE240*NH-B-E	36000	240	Natural white	4000±300	
Ex-KSE240*NH-B-E	36000	240	Natural white	5000±300	
Ex-KSE240*CH-B-E	36000	240	Cool white	5700±300	
Ex-KSE300N*WM-B-E	220~277 AC (311~392 DC)	41850	300	Warm white	3000±300
Ex-KSE300N*NH-B-E		45000	300	Natural white	4000±300
Ex-KSE300N*NH-B-E		45000	300	Natural white	5000±300
Ex-KSE300N*CH-B-E		45000	300	Cool white	5700±300

Remarks: 1. \*Stands for beam angle, including H3V3 / H4V4 / H5V5 / H6V6.  
2. For beam angle H5V5, the luminous flux will be 8% less;

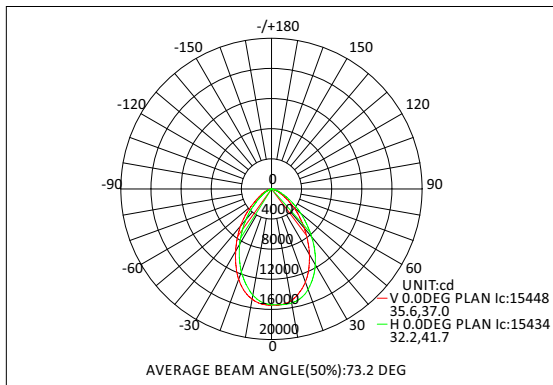
## Candela Distribution



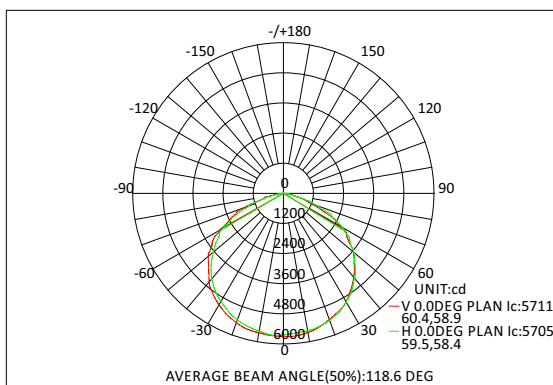
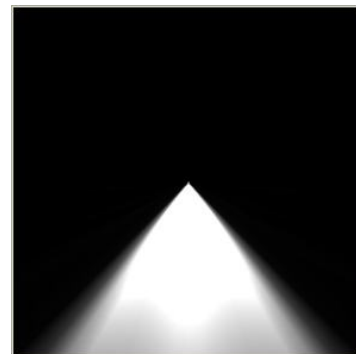
H3V3(30°)/High efficacy LED Source



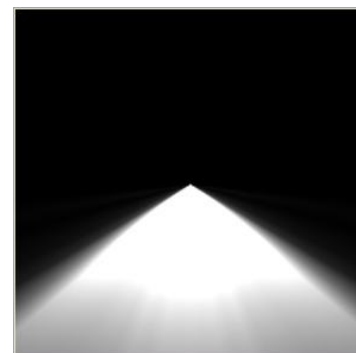
H4V4(60°)/High efficacy LED Source



H5V5(80°)/High efficacy LED Source



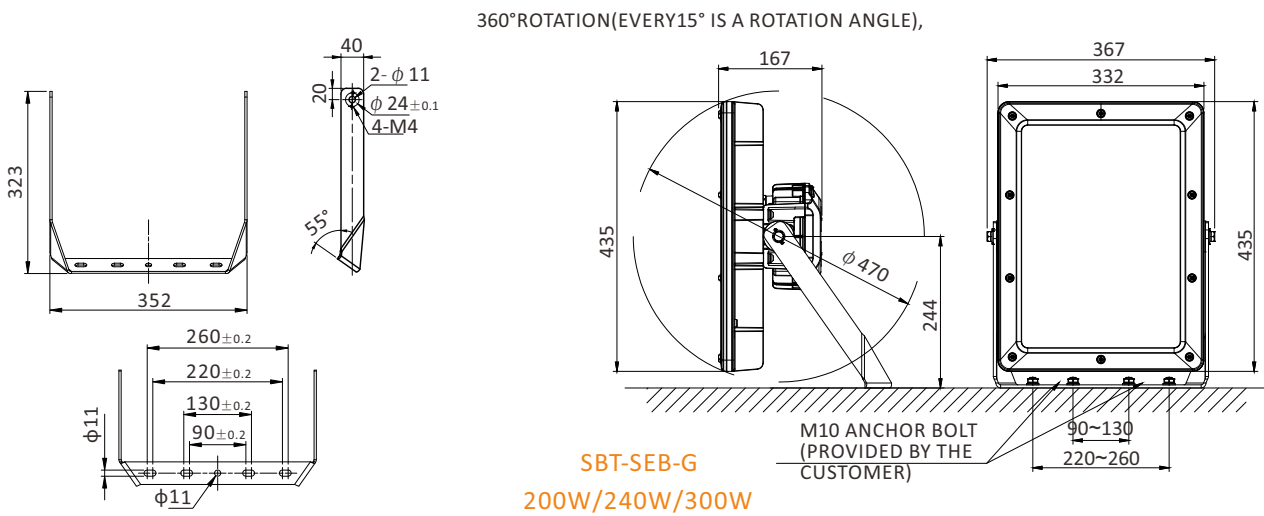
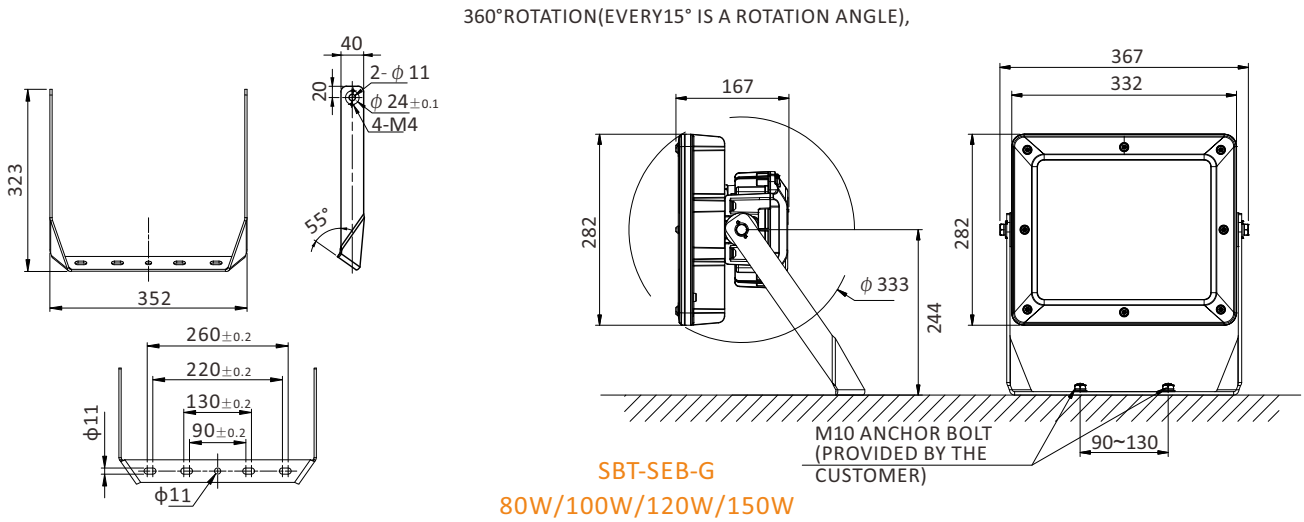
H6V6(120°)/High efficacy LED Source



## Installation Method

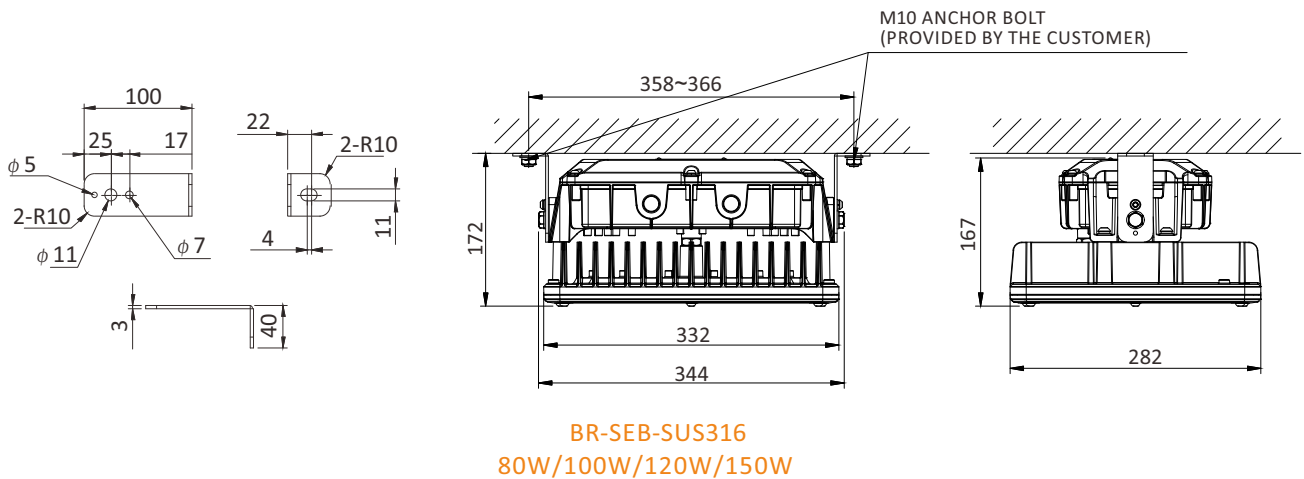
### Stanchion mount / Wall mount

(unit:mm)



### Ceiling mount:

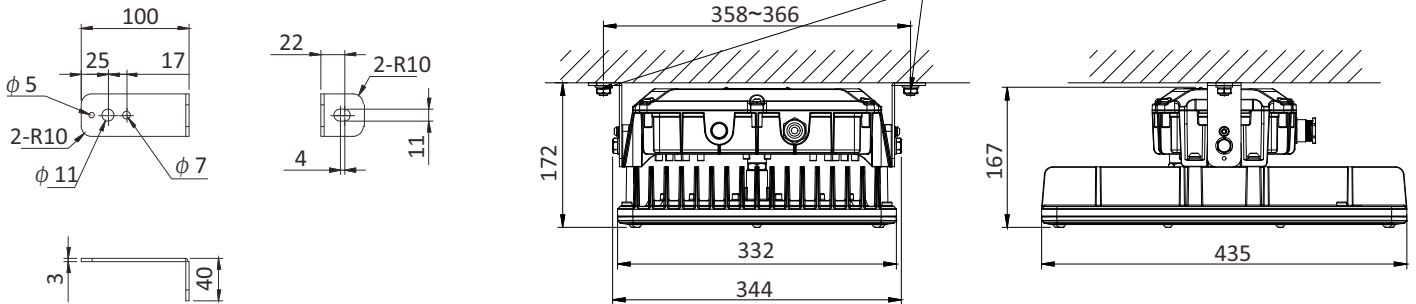
(unit:mm)



## Installation Method

### Ceiling mount:

(unit:mm)

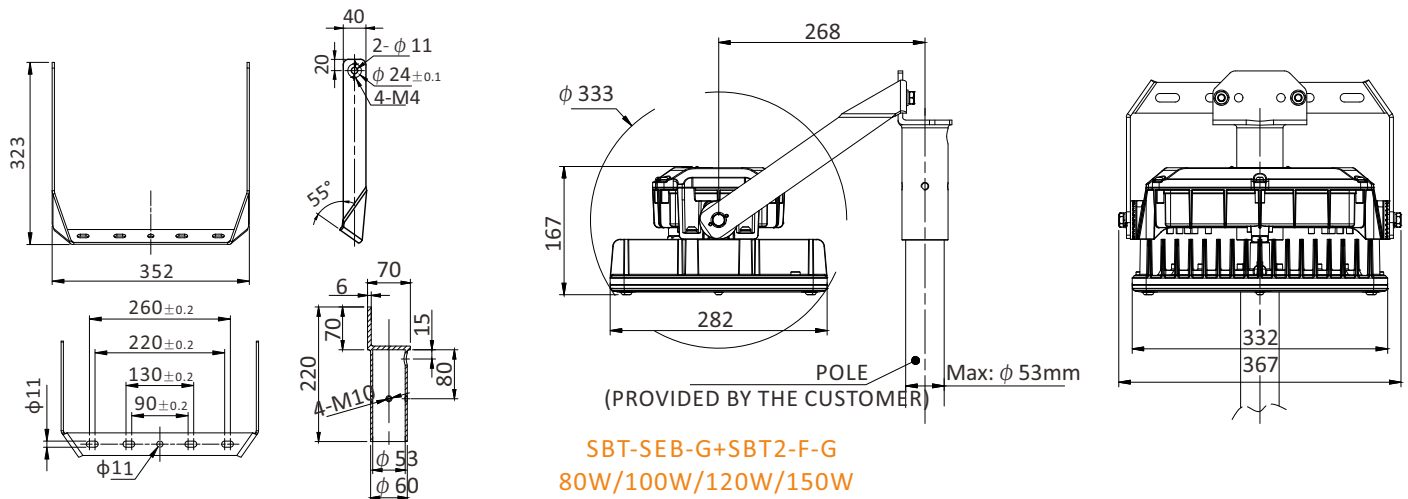


**BR-SEB-SUS316**  
200W/240W/300W

### Pole Mount:

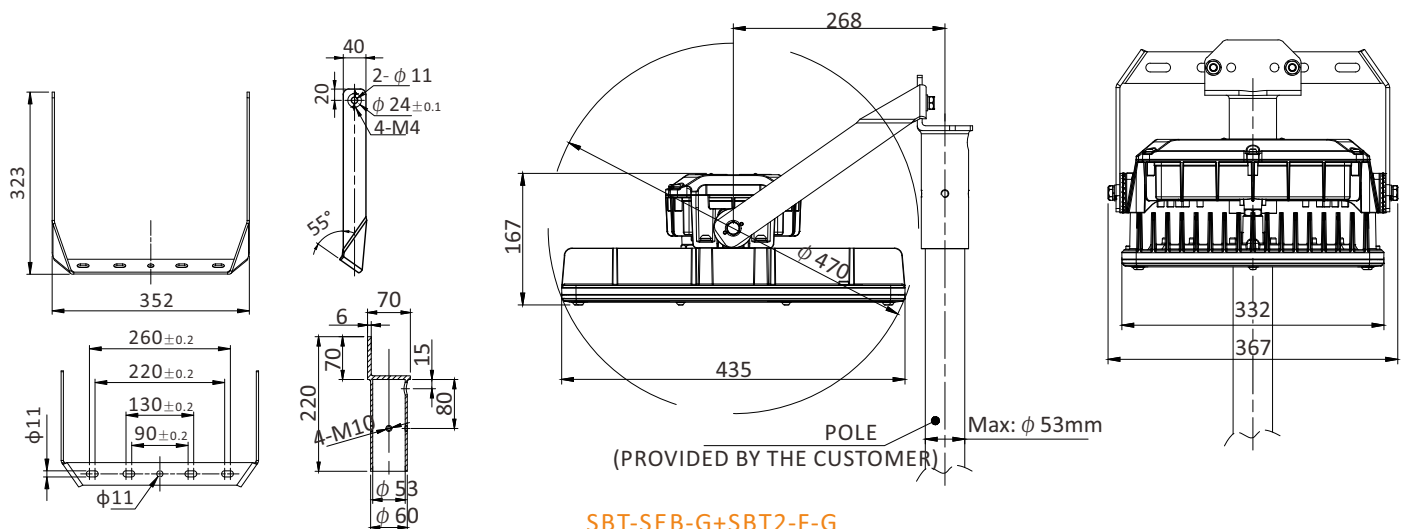
(unit:mm)

360°ROTATION(EVERY15° IS A ROTATION ANGLE),






**SBT-SEB-G+SBT2-F-G**  
80W/100W/120W/150W

360°ROTATION(EVERY15° IS A ROTATION ANGLE),



**SBT-SEB-G+SBT2-F-G**  
200W/240W/300W

## Optional Parts

No.	Installation Accessories	Part No.	Picture	Material	Weight(Kg)	QTY	Remarks
1	Ceiling Bracket	BR-SEB-SUS316		SUS316	0.9	1	Ceiling Mount
2	Stanchion Bracket	SBT-SEB-G		Q235	1.5	1	Stanchion Mount
3	Pole Mount Bracket	(SBT2-F-G) +(SBT-SEB-G)		Q235	3.0	1	Pole Mount