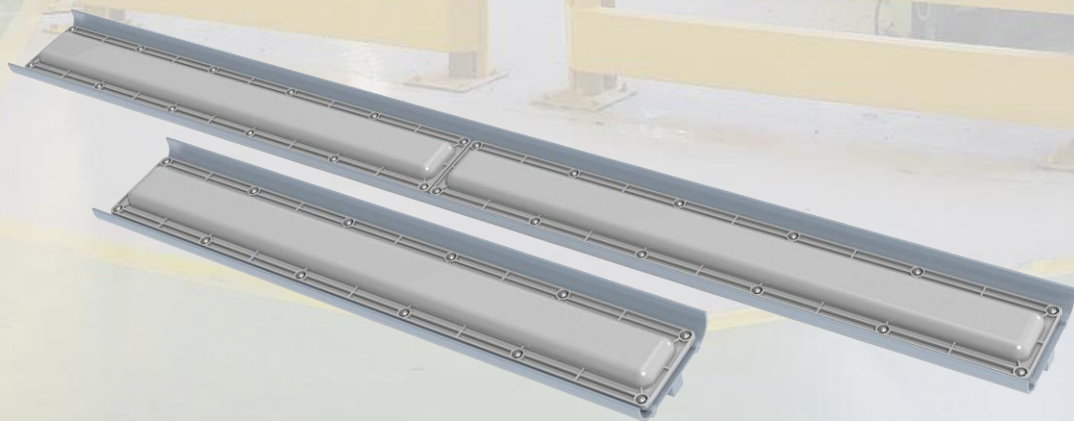
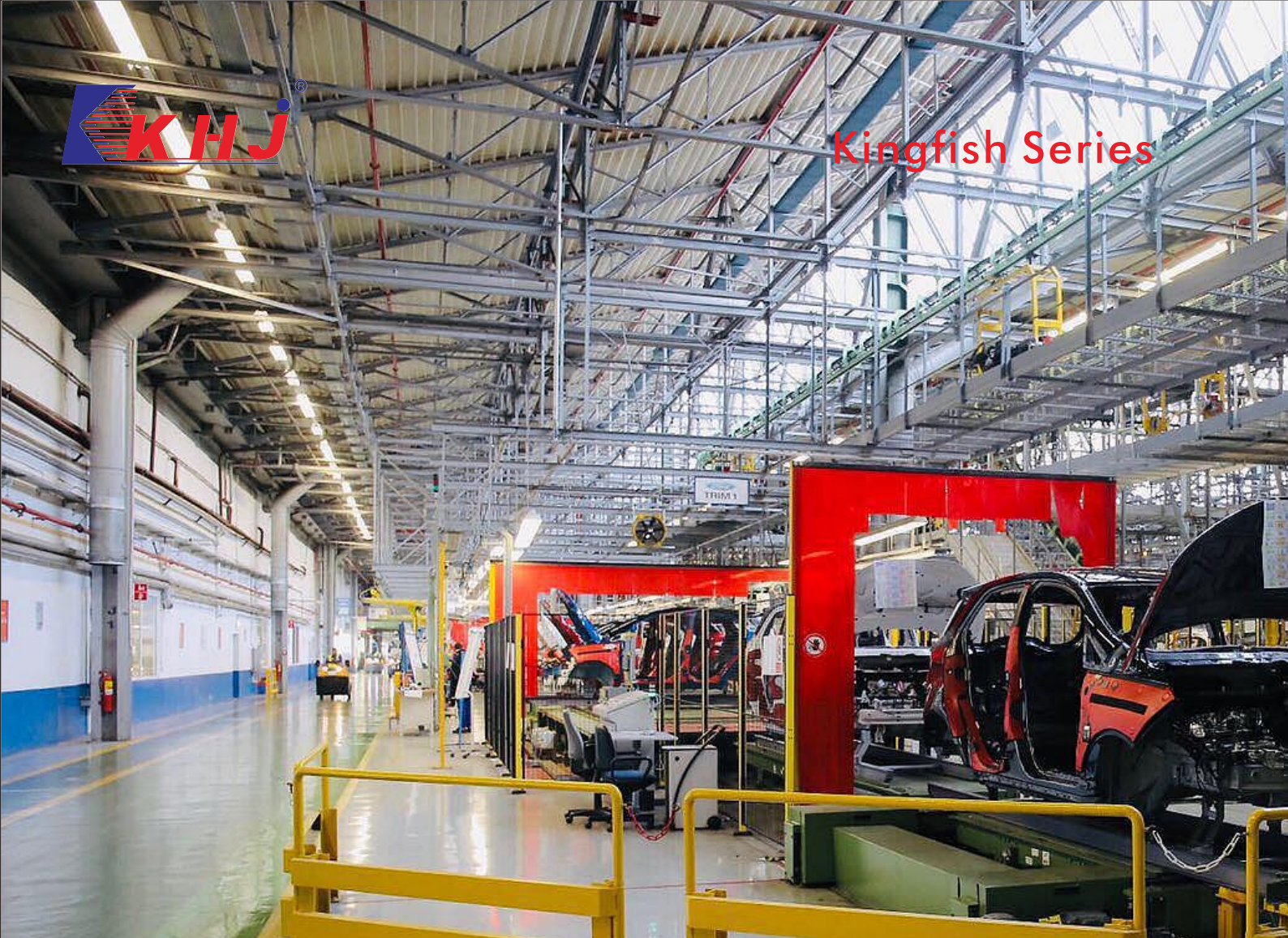




Kingfish Series

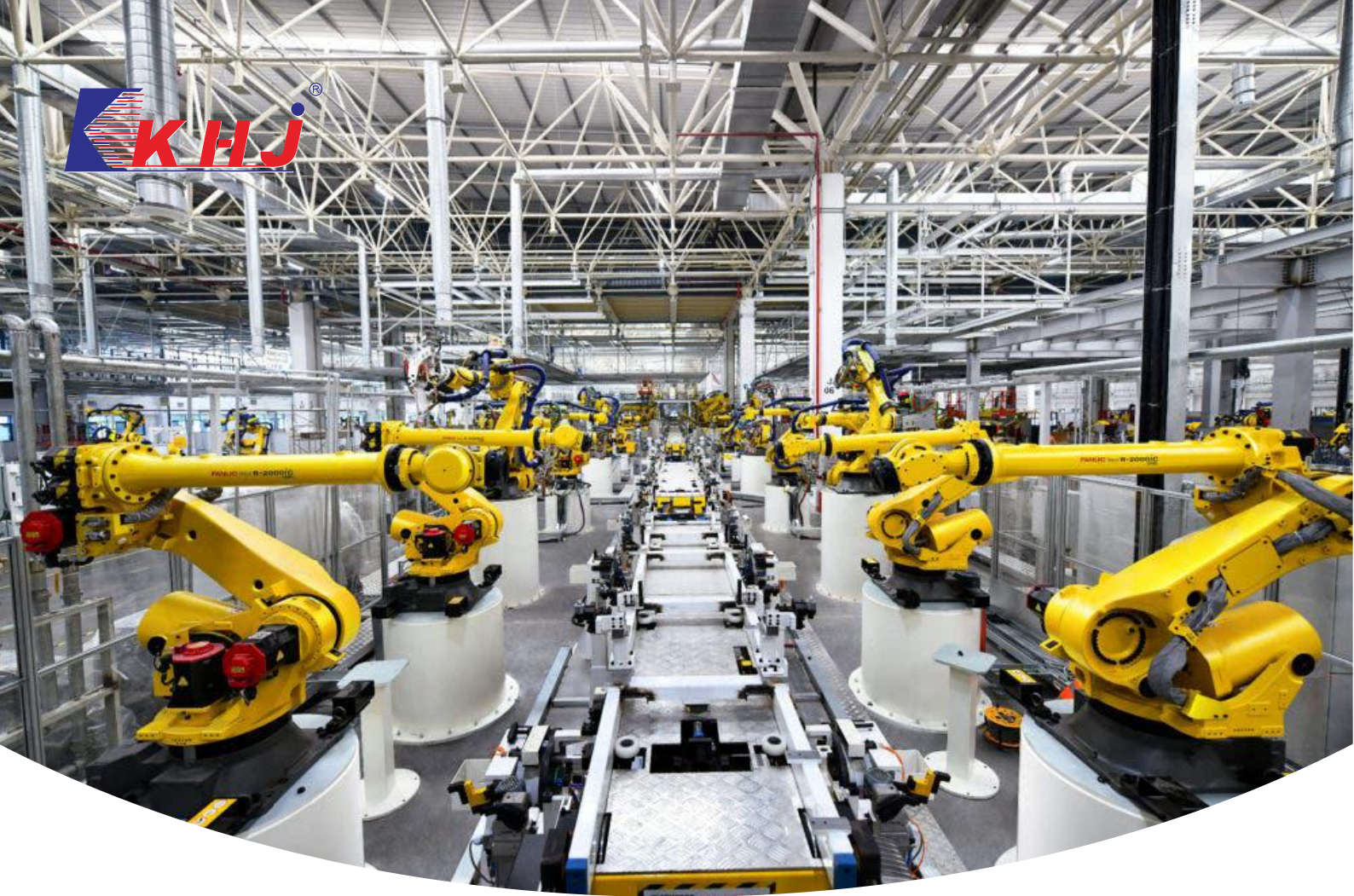


LED Industrial Light

**CE & RoHS Certified LED Emergency Linear light in Industrial Area.
Kingfish Series**

CE RoHS

www.khjled.com



Features And Benefits:

- High efficacy LED Source with long lifespan, L70 > 100,000 hours @ 25°C ambient
- 3-year performance warranty
- Low THD around 10%, Less interference
- 4KV/Line-Line 6KV/Line-Earth
- Robust aluminium housing and high impact resistant PC cover
- Vibration and shock resistant
- Low maintenance

Applications:



Cement plants



Warehouse



Factory



Power Generation



Power Transmission



Shipping industry

CE ROHS

CE & RoHS Certified LED Linear light in Industrial Area.

LED Linear light

Standard & Certificate:

Certificate:	<ul style="list-style-type: none">• CE• RoHS
Executive Standard:	<ul style="list-style-type: none">• EN 55015, EN 61547, EN 61000-3-2, EN 61000-3-3, EN 60598-1,• EN 60598-2-5, EN 62031, EN 62493,• IEC 62321-4, IEC 62321-5, IEC 62321-6, IEC 62321-7-1,• IEC 62321-7-2, IEC 62321-8

Electrical & Photometric Features:

Luminaire Efficacy:	132lm/W
Lifespan:	>100,000 hours
Operating Voltage:	220-240 VAC 311-339 VDC
Power(W):	Normal:18W/36W/48(0.6m),36W/48W/64W(1.2m) Emergency:5W
Frequency:	50/60Hz
Power Factor:	>0.98
THD:	<10%
Insulation Class:	I
Surge Protection:	4KV/6KV
LED Driver:	Over voltage protection/short circuit protection
Battery Capacity:	2.2 Ah
Battery Type:	Ni-Cd
Battery Lifespan:	500 cycles
Back up:	180 min
Chargeing time: (after full discharge)	24 hours

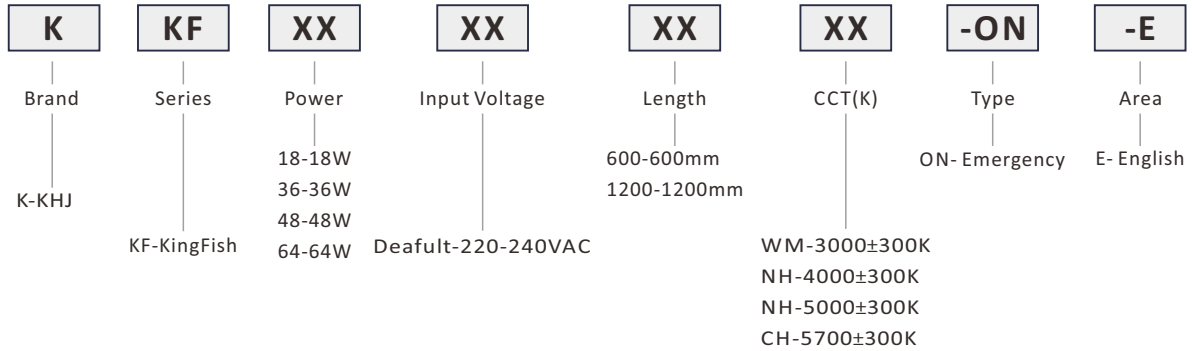
Mechanical Features:

Weight:	4.2Kg(0.6m)/5.8Kg(1.2m)
Size:	600*120*120mm(18W/36W/48W)/1200*120*120mm(36W/48W/64W)
Ambient Temperature:	-20℃ ~+55℃
Connecting Terminals:	3*1.0-4.0mm ² (L+N+PE)
Cable Entries:	2XM20*1.5/2X M25*1.5
Earthing Protection:	M4 (Internal & external earth bolts)
IP Code:	IP66
Enclosure Material:	Copper-free Aluminium
Enclosure Colour:	Grey RAL7040
Coating:	Epoxy powder coating
Exposed Fastener:	Stainless steel
Protective Cover:	PC,Stand 7J impact

CE ROHS

CE & RoHS Certified LED Linear light in Industrial Area.

Production Definition



Entry Type



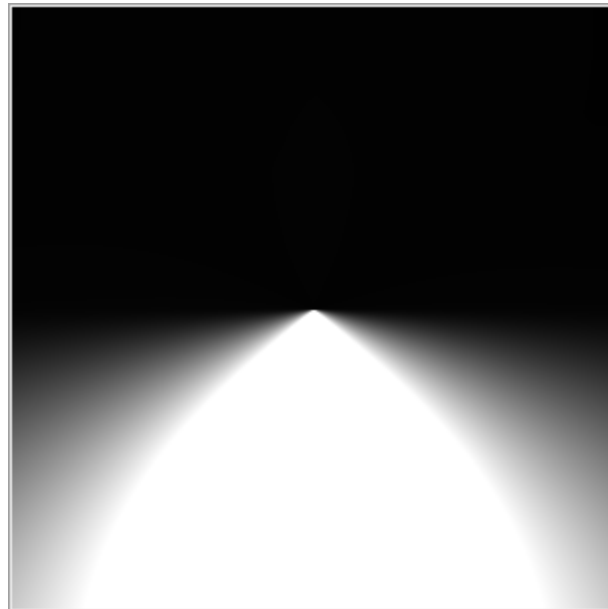
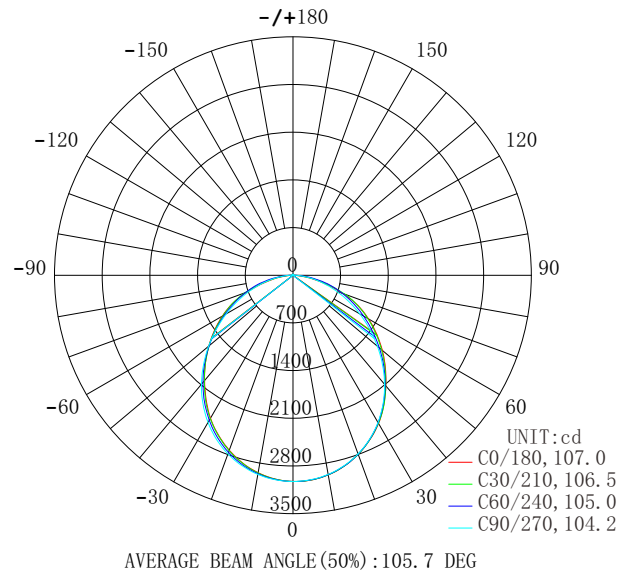
Ordering Information

P/N	Operating Voltage(V)	Luminous Flux(lm)		Power(W)		CRI	Color Temp.	CCT(K)
		Normal	Emergency	Normal	Emergency			
KKF18600WM-ON-E	220-240 AC (311-339 DC)	2193	630	18	5	82	Warm white	3000±300
KKF18600NH-ON-E		2376	683	18		80	Natural white	4000±300
KKF18600NH-ON-E		2376	683	18		80	Natural white	5000±300
KKF18600CH-ON-E		2376	683	18		80	Cool white	5700±300
KKF36600WM-ON-E		4386	630	36		82	Warm white	3000±300
KKF36600NH-ON-E		4752	683	36		80	Natural white	4000±300
KKF36600NH-ON-E		4752	683	36		80	Natural white	5000±300
KKF36600CH-ON-E		4752	683	36		80	Cool white	5700±300
KKF48600WM-ON-E		5848	630	48		82	Warm white	3000±300
KKF48600NH-ON-E		6336	683	48		80	Natural white	4000±300
KKF48600NH-ON-E		6336	683	48		80	Natural white	5000±300
KKF48600CH-ON-E		6336	683	48		80	Cool white	5700±300
KKF361200WM-ON-E		4386	630	36		82	Warm white	3000±300
KKF361200NH-ON-E		4752	683	36		80	Natural white	4000±300
KKF361200NH-ON-E		4752	683	36		80	Natural white	5000±300
KKF361200CH-ON-E		4752	683	36		80	Cool white	5700±300
KKF481200WM-ON-E		5848	630	48		82	Warm white	3000±300
KKF481200NH-ON-E		6336	683	48		80	Natural white	4000±300
KKF481200NH-ON-E		6336	683	48		80	Natural white	5000±300
KKF481200CH-ON-E		6336	683	48		80	Cool white	5700±300
KKF641200WM-ON-E		7797	630	64		82	Warm white	3000±300
KKF641200NH-ON-E		8448	683	64		80	Natural white	4000±300
KKF641200NH-ON-E		8448	683	64		80	Natural white	5000±300
KKF641200CH-ON-E		8448	683	64		80	Cool white	5700±300

CE ROHS

CE & RoHS Certified LED Linear light in Industrial Area.

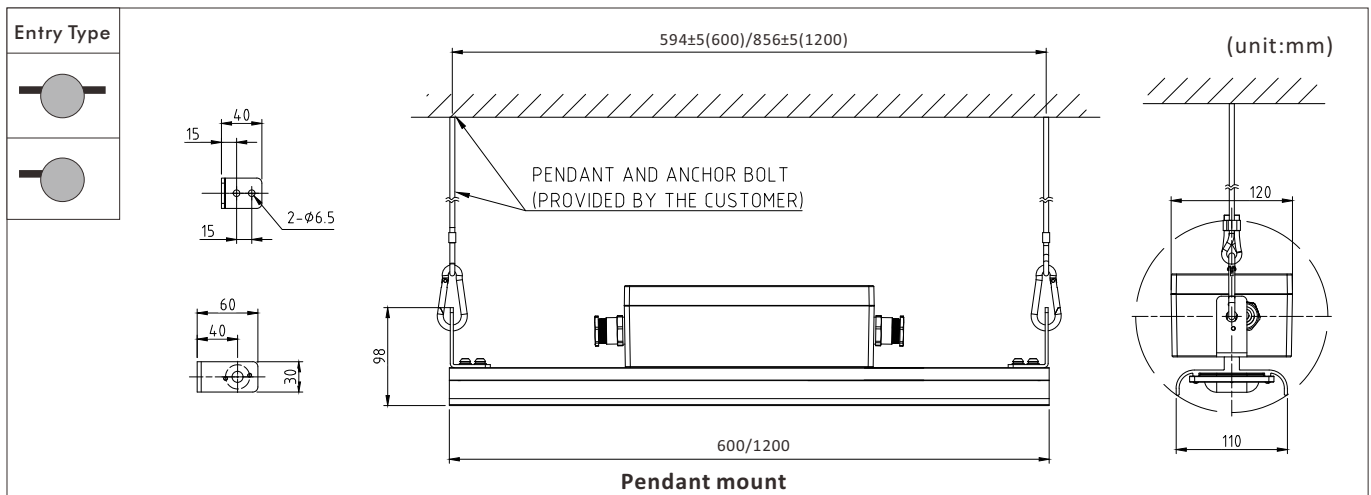
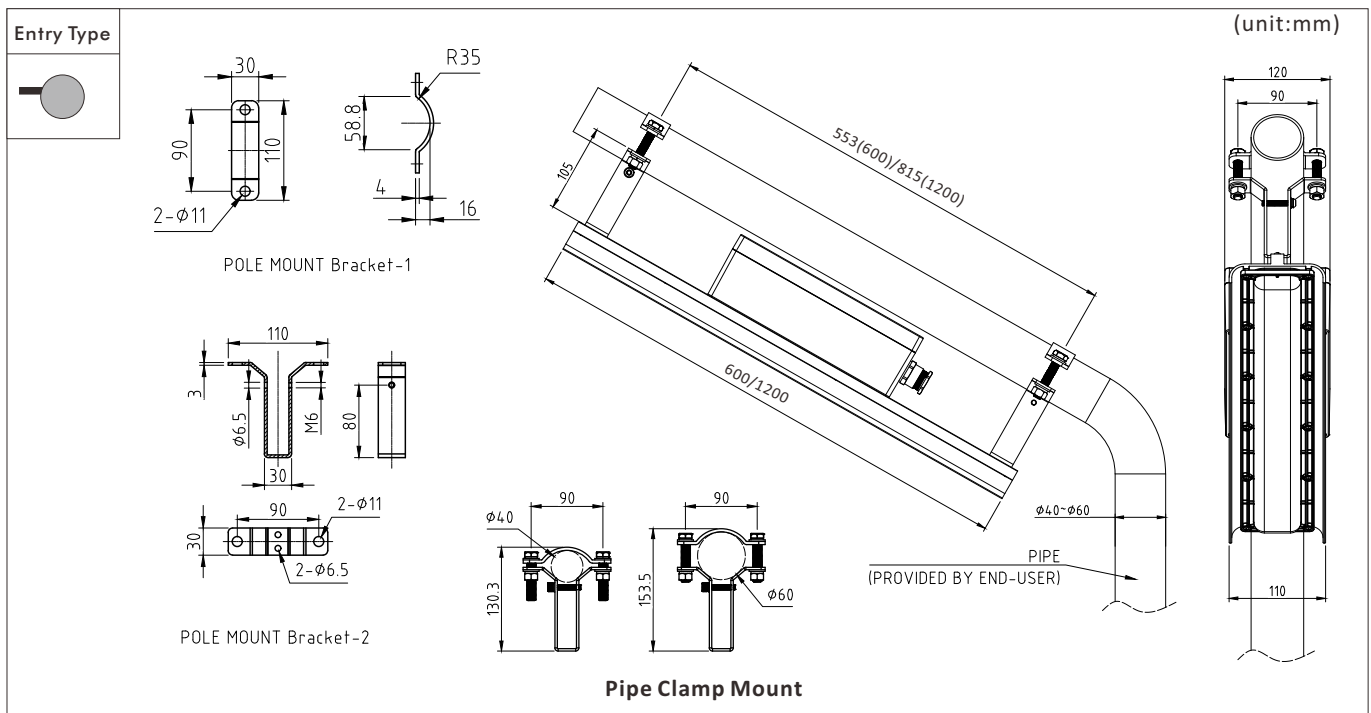
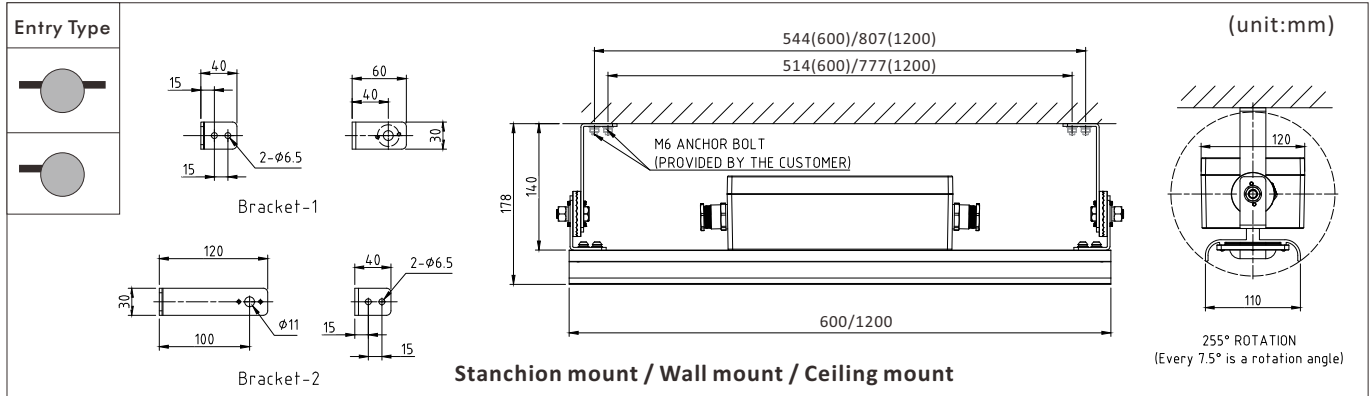
Candela Distribution



CE ROHS

CE & RoHS Certified LED Linear light in Industrial Area.




Installation Method



CE ROHS

CE & RoHS Certified LED Linear light in Industrial Area.

Optional Parts

No.	Installation Accessories	Part No.	Picture	Material	Weight(Kg)	QTY	Remarks
1	Stanchion Bracket	SBT-KF-SUS316		SUS316	0.3	2	Ceiling Mount Stanchion Mount Wall Mount
2	Pipe Clamp	PCP-KF-SUS316		SUS316	0.4	2	Pipe Clamp mount
3	Buckle Bracket	BU-KF-SUS316		SUS316	0.2	2	Pendant mount