



Forest Frog Series



LED Industrial Light

**CE & RoHS Certified LED Floodlight/bay light/platform light
in Industrial Area.**

Forest Frog Series

CE RoHS

www.khjled.com



Features And Benefits:

- High efficacy LED Source with long lifespan, L70 > 100,000 hours @ 25°C ambient
- 5-year performance warranty
- Low THD around 10%, Less interference
- 5KV Surge Protection
- Robust aluminium housing and strong tempered glass
- Vibration and shock resistant
- Low maintenance

Applications:



Cement plants



Warehouse



Factory



Power Generation



Power Transmission



Shipping industry

CE RoHS

CE & RoHS Certified LED Floodlight/bay light/platform light in Industrial Area.

LED Floodlight/bay light/platform light

Standard & Certificate:

Certificate:	<ul style="list-style-type: none">• CE• RoHS• ABS
Executive Standard:	<ul style="list-style-type: none">• EN 55015, EN 61547, EN 61000-3-2, EN 61000-3-3• EN 60598-1, EN 60598-2-5, EN 62031, EN 62493• IEC 62321-4, IEC 62321-5, IEC 62321-6• IEC 62321-7-1, IEC 62321-7-2, IEC 62321-8

Electrical & Photometric Features:

Luminaire Efficacy:	136.5lm/W
Lifespan:	>100,000 hours
Operating Voltage:	24-48 VAC/100-277 VAC 10-30 VDC/24-48 VDC/141-392 VDC
Power(W):	30W/45W/60W
Frequency:	50/60Hz
Power Factor:	>0.98
THD:	<10%
Insulation Class:	I
Surge Protection:	5KV
LED Driver:	Over voltage protection/short circuit protection

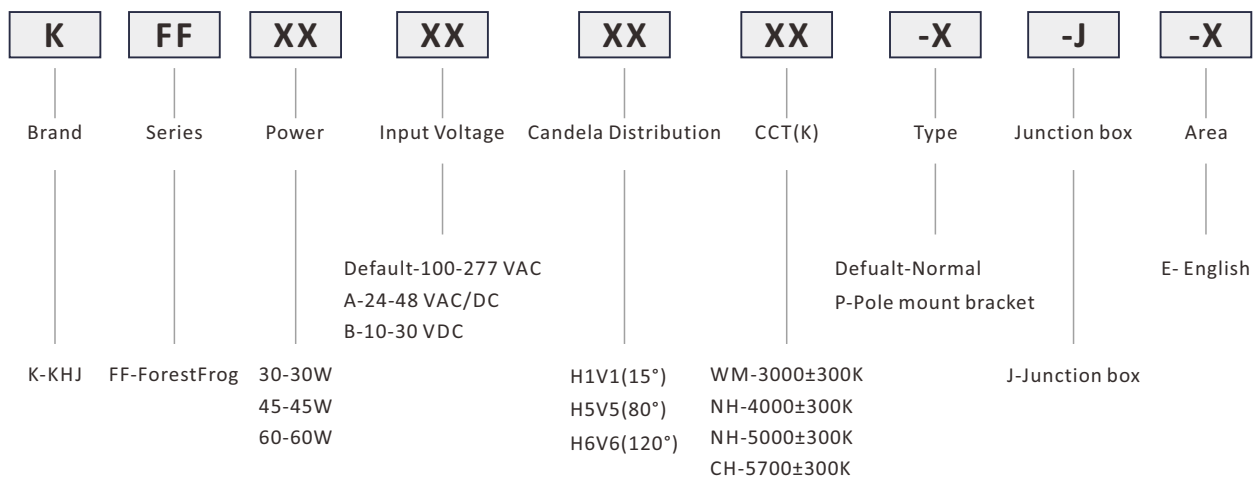
Mechanical Features:

Weight:	3.3Kg
Size:	φ 220*191mm
Ambient Temperature:	-40°C~+55°C
Connecting Terminals:	3*1.0-4.0mm ² (L+N+PE)
Cable Entries:	1XM25*1.5
Earthing Protection:	M4 (Internal & external earth bolts)
IP Code:	IP66
Enclosure Material:	Die-casting aluminium alloy
Enclosure Colour:	Grey RAL7040
Coating:	Epoxy powder coating
Exposed Fastener:	Stainless steel
Protective Cover:	Tempered glass,Stand 7J impact

CE RoHS

CE & RoHS Certified LED Floodlight/bay light/platform light in Industrial Area.

Production Definition



Ordering information

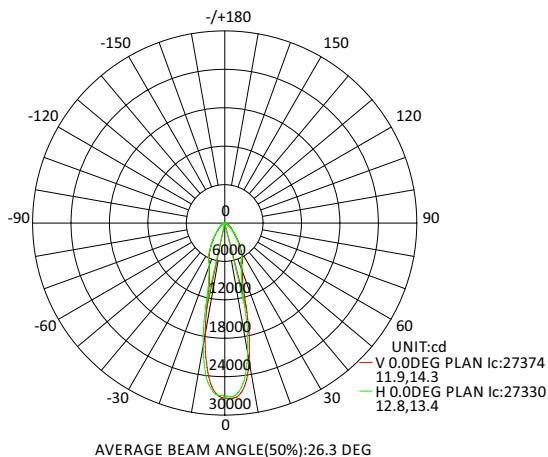
P/N	Operating Voltage(V)	Luminous Flux(lm)	Power(W)	CRI	Color Temp.	CCT(K)
KFF30*WM-J-E	100~277 AC (141~392 DC)	3780	30	80	Warm white	3000±300
KFF30*NH-J-E		4095	30	80	Natural white	4000±300
KFF30*NH-J-E		4095	30	80	Natural white	5000±300
KFF30*CH-J-E		4095	30	80	Cool white	5700±300
KFF45*WM-J-E		5670	45	80	Warm white	3000±300
KFF45*NH-J-E		6142	45	80	Natural white	4000±300
KFF45*NH-J-E		6142	45	80	Natural white	5000±300
KFF45*CH-J-E		6142	45	80	Cool white	5700±300
KFF60*WM-J-E		7560	60	80	Warm white	3000±300
KFF60*NH-J-E		8190	60	80	Natural white	4000±300
KFF60*NH-J-E		8190	60	80	Natural white	5000±300
KFF60*CH-J-E		8190	60	80	Cool white	5700±300

Remarks: 1、*Stands for candela distribution, including H1V1 / H5V5 / H6V6;
2、 For beam angle H1V1/H5V5,the luminous flux will be 8% less;

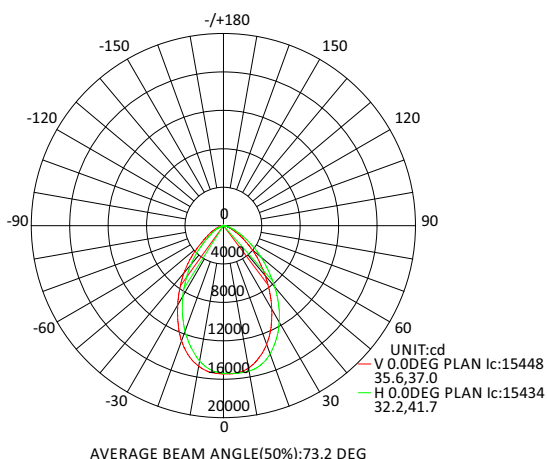
CE RoHS

CE & RoHS Certified LED Floodlight/bay light/platform light in Industrial Area.

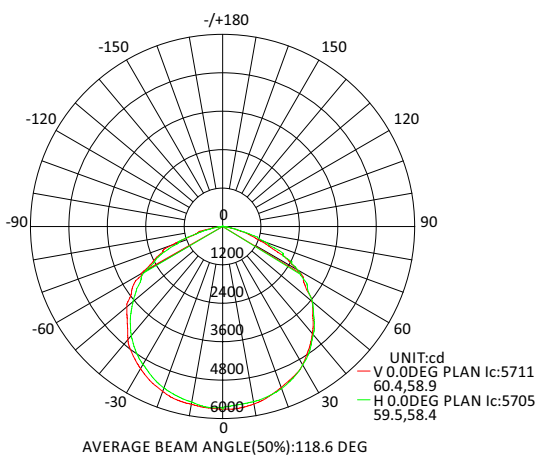
Candela Distribution



H1V1(15°)/High efficacy LED Source



H5V5(80°)/High efficacy LED Source



H6V6(120°)/High efficacy LED Source



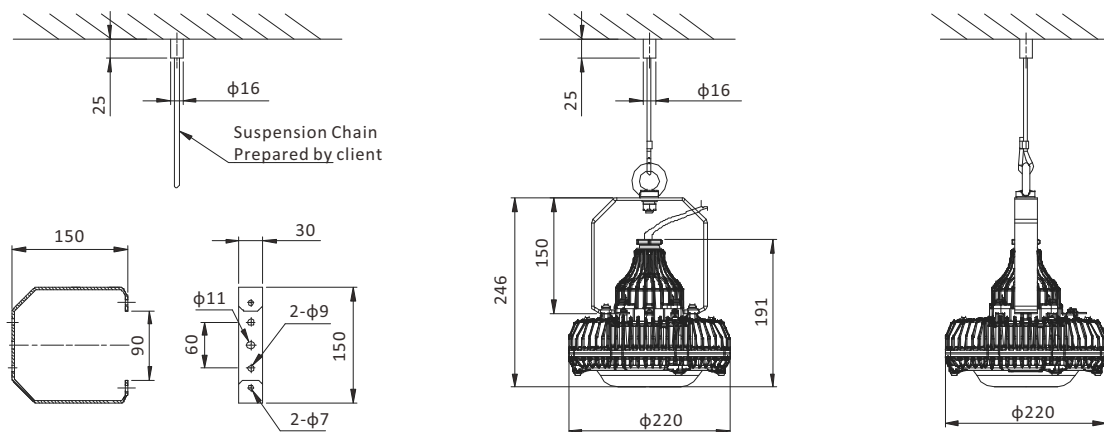
CE RoHS

CE & RoHS Certified LED Floodlight/bay light/platform light in Industrial Area.

Installation Method

Pendant Mount:

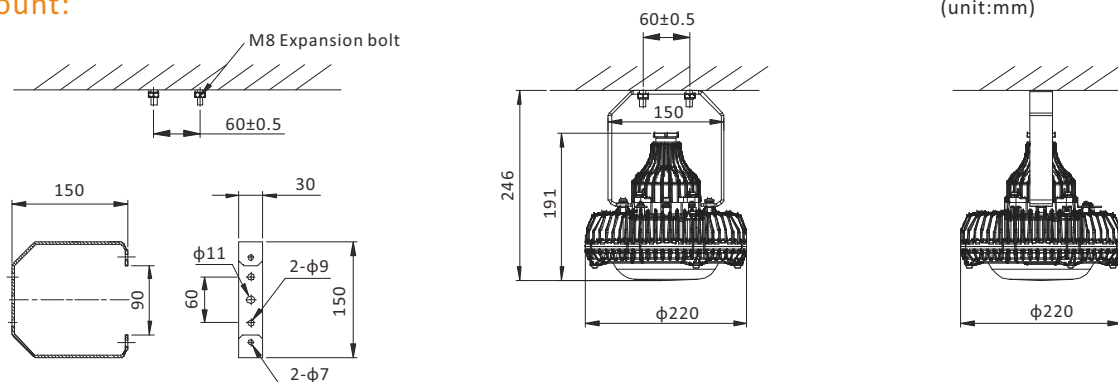
(unit:mm)



LO-FF-L-G

Ceiling Mount:

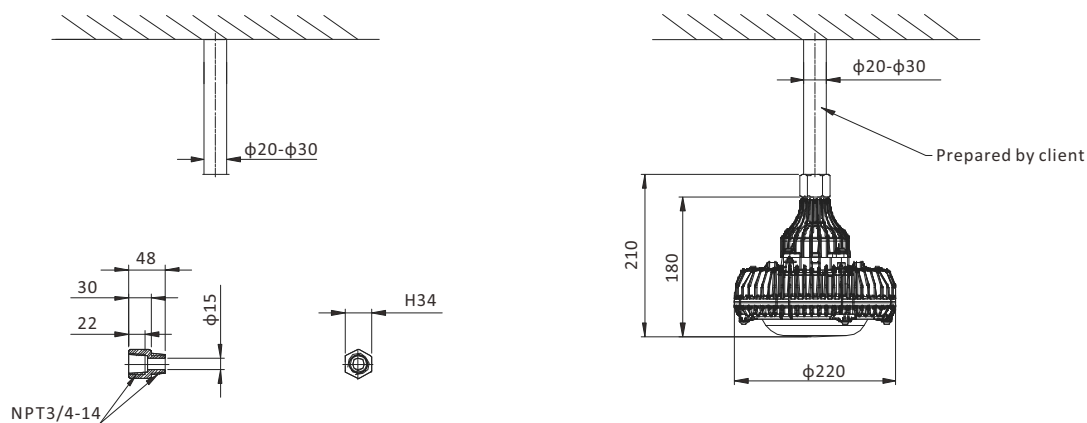
(unit:mm)



BR-FF-L-G

Pipe Mount:

(unit:mm)



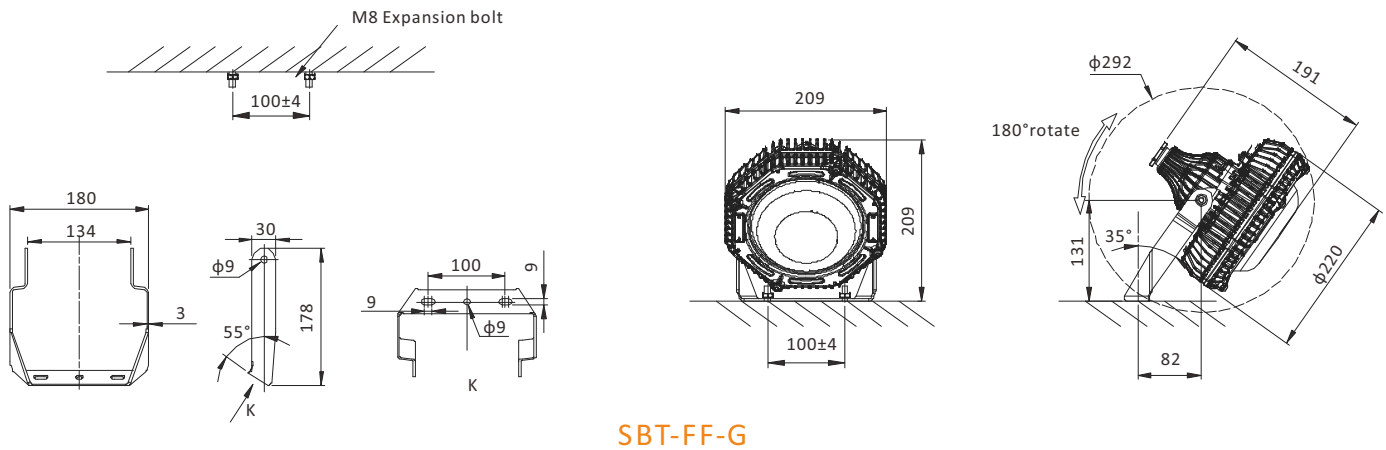
PCR-FF

CE RoHS

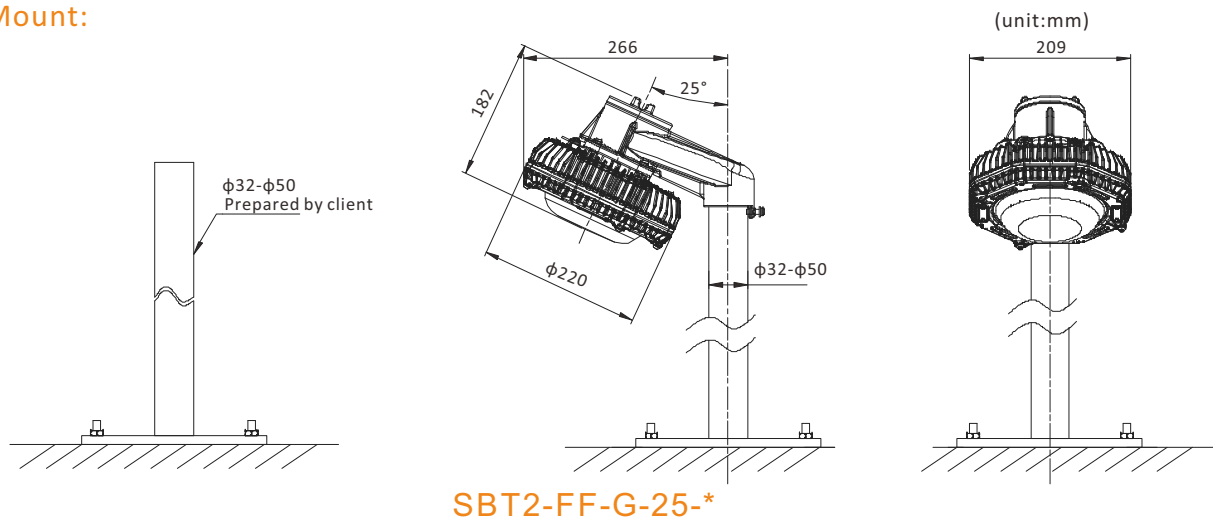
CE & RoHS Certified LED Floodlight/bay light/platform light in Industrial Area.

Installation Method

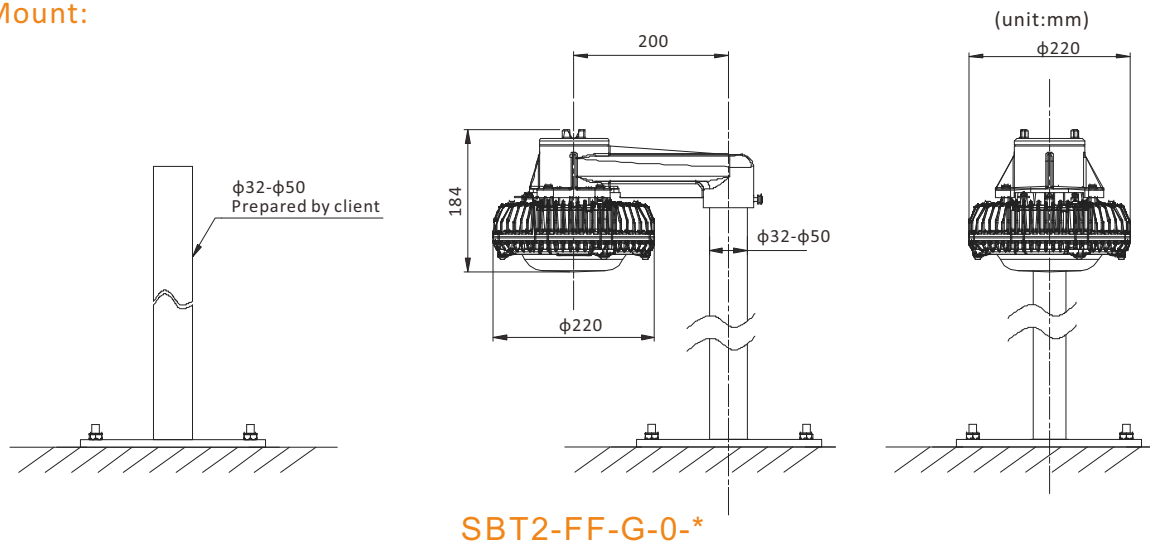
Stanchion Mount:



Pole Mount:







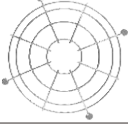

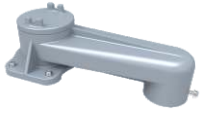
Pole Mount:



CE RoHS

CE & RoHS Certified LED Floodlight/bay light/platform light in Industrial Area.

Optional Parts

No.	Installation accessories	Part No.	Picture	Material	Weight(Kg)	QTY	Remark
1	Bracket	BR-FF-L-G		Q235	0.24	1	Ceiling mount
2	Loop	LO-FF-L-G		Q235	0.36	1	pendant mount
3	Stanchion bracket	SBT-FF-G		Q235	0.47	1	Stanchion mount
4	Pipe connector	PCR-FF-N PCR-FF-M		SUS304	0.28	1	Pipe mount
5	Guard	GU-FF		SUS304	0.13	1	/
6	25°Pole mount bracket	SBT2-FF-G-25-*		ADC12	1.14	1	Pole mount
7	0°Pole mount bracket	SBT2-FF-G-0-*		ADC12	1.34	1	Pole mount