

Explosion-proof Cable Glands (Single Seal, Unarmoured)

KBM-07,08 Series

- II 2 G Ex db IIC Gb
- II 2 G Ex eb IIC Gb
- II 3 G Ex nR IIC Gc
- II 2 D Ex tb IIIC Db



KBM-07

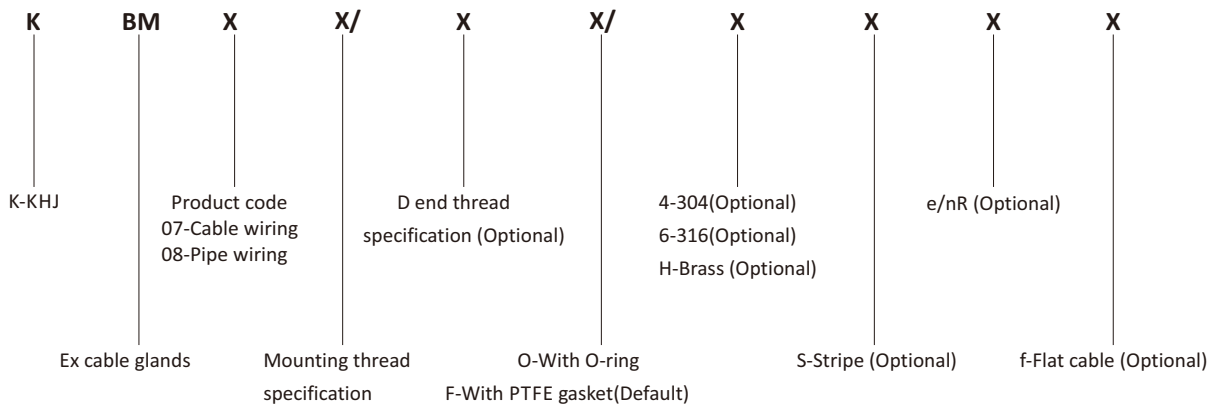


KBM-08

1. Application and Features

- Explosion proof certificates
 - ATEX : TPS 22 ATEX 114950 0001 X
 - IECEx : TPS 22.0023X
- Application in hazardous area
Zone 1 and Zone 2,
Zone 21 and Zone 22
- Flame-proof (Type 'd'), Increased safety (Type 'e'), restricted breathing (Type 'nR'),
combustible dust (Type 'tb') structure.
- Single seal for unarmoured cables.
- Can be installed on Ex i (intrinsic safety type) equipment.

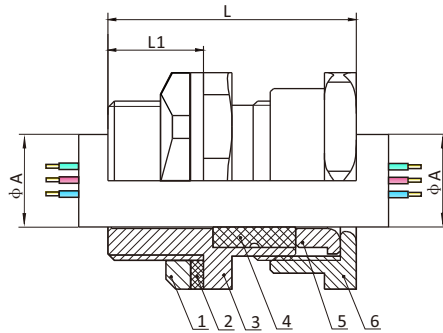
2. Product definition



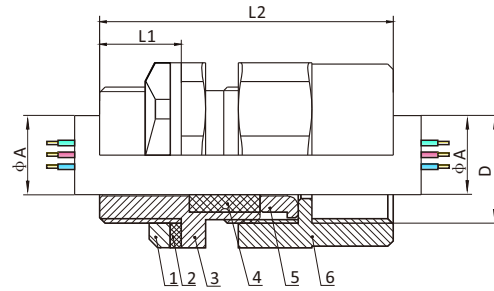
3. Technical Parameter

Explosion protection	Ex marking	II 2 G Ex db IIC Gb	Ex db IIC Gb
		II 2 G Ex eb IIC Gb	Ex eb IIC Gb
		II 3 G Ex nR IIC Gc	Ex nR IIC Gc
		II 2 D Ex tb IIIC Db	Ex tb IIIC Db
Exective standards		IEC60079-0, IEC60079-1, IEC60079-7, IEC60079-15, IEC60079-31 EN60079-0, EN60079-1, EN60079-7, EN60079-15, EN60079-31	
Material		Stainless steel, nickel plated brass, brass, etc.	
Degree of protection		IP66, IP67, IP68(2m/72h)	
Ambient temperature		-43°C~+100°C, -43°C~+120°C(f type)	
Connection thread		NPT thread, Metric thread (M)	

4. Outline and Installation (mm)



KBM-07



KBM-08

- 1.Locknut 2.Sealing washer 3.Connector body
4.Sealing ring 5.Washer 6. Compression nut

- 1.Locknut 2.Sealing washer 3.Connector body
4.Sealing ring 5.Washer 6. Compression nut

Mounting thread		Cable outer diameter φA(mm)	Flat cable (mm)			Thread length L1(mm)	Length L(mm)	Length L2(mm)	KBM-07 Weight (kg)	KBM-08 Weight (kg)
M	NPT		Outer diameterφA	L	L1					
M16×1.5	—	3~8	—			16	54	69	0.10	0.11
M20×1.5A	NPT1/2A	3~8	11×7(±1)	39	57	16	54	69	0.12	0.12
M20×1.5B	NPT1/2B	6~11	11×7(±1)	39	57	16	56	71	0.10	0.14
M20×1.5C	NPT1/2C	10~14.5	15×6(±1)	40	57	16	56	71	0.12	0.14
M25×1.5A	NPT3/4A	10~14.5	11×7(±1)	38	57	16	56	71	0.15	0.17
M25×1.5B	NPT3/4B	13~20	15×6(±1)	38	55	16	57	72	0.15	0.17
M25×1.5C	NPT3/4C	19~25.5	—	—	—	16	61	76	0.16	0.18
M32×1.5A	NPT1A	13~20	15×6(±1)	45	60	18	59	74	0.25	0.28
M32×1.5B	NPT1B	19~25.5	—	—	—	18	63	78	0.25	0.28
M32×1.5C	NPT1C	25~32	—	—	—	18	68	83	0.27	0.30
M40×1.5A	NPT11/4A	19~25.5	—	—	—	20	65	80	0.55	0.58
M40×1.5B	NPT11/4B	25~32	—	—	—	20	70	85	0.50	0.54
M40×1.5C	NPT11/4C	32~43	—	—	—	20	74	89	0.60	0.64
M50×1.5A	NPT11/2A	25~32	—	—	—	20	70	85	0.79	0.84
M50×1.5B	NPT11/2B	32~43	—	—	—	20	74	89	0.69	0.74
M50×1.5C	NPT11/2C	42.5~55	—	—	—	20	83	98	0.86	0.91
M63A×1.5A	NPT2A	32~43	—	—	—	20	74	89	0.86	0.92
M63×1.5B	NPT2B	42.5~55	—	—	—	20	83	98	0.84	0.90

- Note:** 1. Locknut and sealing washer (PTFE washer) are supplied for Ex e, n, t type products,
Without lock nut when delivery for Ex d type. Above weight is based on nickel plated brass material.
2. Earth lug and shroud are on request.
3. The standard pitch of metric thread products is 1.5mm, other pitches can be customized, please specify when ordering.