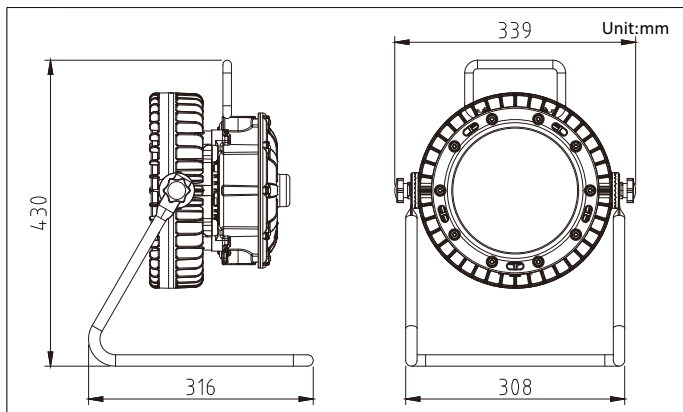




LED Explosion proof light Ex-Sealion Series

Applications:

- 1.The KHJ Ex-Sealion Series is a high performance, light weight luminaire designed for use in hazardous areas as temporary lighting and for maintenance tasks ,such as tank cleaning and sand blasting.
- 2.Suitable for oil&gas,chemical,petro chemical and other potentially explosive industrial environments.



Certifications and Ratings:

- Ex db IIC T4/T5 Gb
- Ex tb IIIC 105°C/T95°C Db IP66
- ATEX Compliant
- IECEx Compliant
- CE Compliant
- RoHS Compliant
- IP 66

Features and Benefits:

- High efficacy LED Source with long lifespan>50,000 hours
- 5-year performance warranty
- Low THD around 10%,Less interference
- 5KV Surge Protection
- Robust aluminium housing and strong tempered glass
- Vibration and shock resistant
- Low maintenance

Technical data

Marking:	<ul style="list-style-type: none"> • Ex db IIC T4/T5 Gb • Ex tb IIIC T105°C/T95°C Db IP66
Certificate:	TÜV 20 ATEX 8608 X IECEx TUR 20.0068X
Permissible ambient temperature:	-40°C-+55°C
Power:	30W,45W,60W,80W
Rated voltage AC:	100-277 V
Rated voltage DC:	141-392 V
Frequency:	50/60Hz
Power factor :	>0.98
THD:	<10%
Connecting terminals:	3*1.0-4mm ² (L+N+PE)
Insulation class:	I
Surge Protection:	5KV
Degree of protection accd .EN 60529:	IP 66
Cable Entries:	2XNPT 3/4" (M20*1.5, M25*1.5 are optional)
Enclosure material:	Die-casting aluminium alloy
Enclosure colour:	Grey,RAL7040
Coating:	Epoxy powder coating
Exposed fastener:	Stainless steel
Protective cover:	Tempered glass,Stand 7J impact
Weight:	9.2Kg
Size:	339*316*430mm
CCT(K):	Warm white:3000±300 Natural white:4000±300/5000±300 Cool white:5700±300
Luminaire Efficacy:	136.5lm/W

Contact

SHENZHEN KHJ SEMICONDUCTOR LIGHTING CO., LTD.

Address: 4-5 Floor, Building 1,Chuangxin industrial park,Xintian community,Guanlan, Longhua new district, Shenzhen ,China.

Tel: +86-755-82949977

E-mail: khjledsales@khj.cn

Fax: +86-755-82949800

Web: www.khjled.com