



## Explosion Proof Switch

**ATEX Certified Switch in Hazardous Area.**

**Victoria Harbour Series**

- ⚡ II 2 G Ex db op is IIC T5 or T6 Gb
- ⚡ II 2 D Ex tb op is IIIC T95°C or T80°C Db IP66







## Features And Benefits:

- Copper free aluminium enclosure
- Enclosure:electrostatic powder coated,hardware:Stainless steel
- Multi-type cable entries for different connection requirement
- Optionally, the cables can be introduced into the terminal boxes via conduits or explosion-proof screw connections. Drilled holes through which no cables are conducted should be closed with certified threaded stoppers.

## Applications:



Oil&Gas Exploration



Drilling



Oil Refinery



Petrochemical Plant



Power Plant



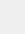
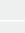
Pharmaceutical Plant



ATEX Certified Switch in Hazardous Area.

# Explosion Proof Switch

## Standard & Certificate:

Ex Mark:	Gas:  II 2 G Ex db op is IIC T5 or T6 Gb Dust:  II 2 D Ex tb op is IIIC T95°C or T80°C Db IP66
Certificate:	<ul style="list-style-type: none"><li>• ATEX Certification NO.: ECM 19 ATEX-B SU43</li><li>• CE</li><li>• RoHS</li></ul>
Executive Standard:	<ul style="list-style-type: none"><li>• EN 60079-0:2018</li><li>• EN 60079-1:2014</li><li>• EN 60079-7:2015+A1:2018</li><li>• EN 60079-11:2012</li><li>• EN 60079-18:2015+A1:2017</li><li>• EN 60079-28:2015</li><li>• EN 60079-31:2014</li><li>• IEC 60079-0:2018</li><li>• IEC 60079-7:2015+A1:2018</li></ul>
Classification:	<ul style="list-style-type: none"><li>• Group II Zone 1 &amp; 21 and 2 &amp; 22</li></ul>

## Electrical & Photometric Features:

Operating Voltage:	Max.380V
Rated current:	20A
Insulation Class:	I

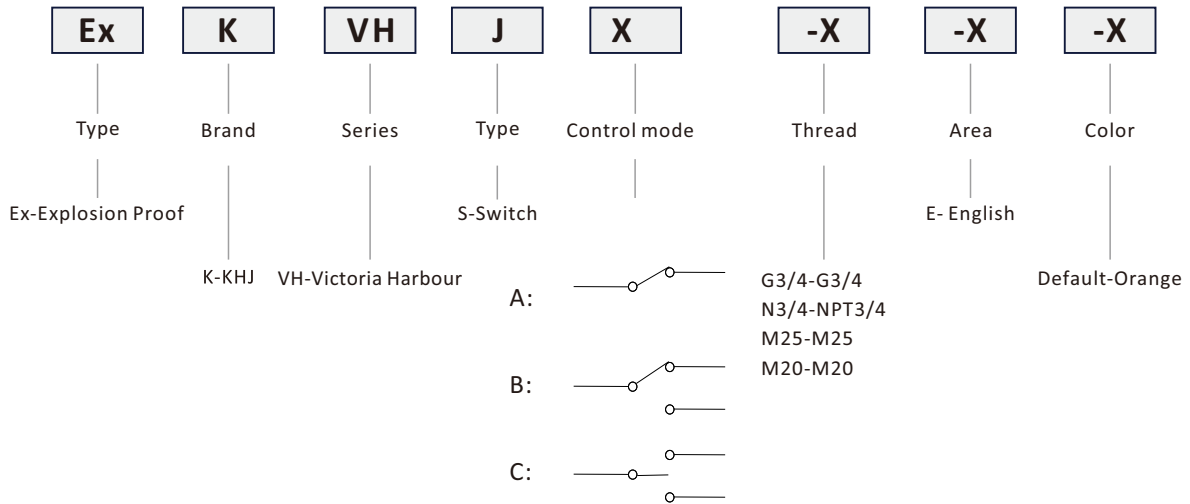
## Mechanical Features:

Weight:	1.23Kg
Size:	140*138*104mm
Ambient Temperature:	-40°C-+55°C
Connecting Terminals:	3*1.0-4.0mm <sup>2</sup> (L+N+PE)
Thread:	NPT 3/4" ( G 3/4", M25*1.5 , M20*1.5 are optional)
IP Code:	IP67
Enclosure Material:	Die-casting aluminium alloy
Enclosure Colour:	Orange, RAL2011
Coating:	Epoxy powder coating



ATEX Certified Switch in Hazardous Area.

## Production Definition



## Main performance parameters

Product type	Switch type	Rated voltage	Rated current	Thread	Size(mm)	Weight(Kg)	IP Code	Ambient temp(°C)
Ex-KVHSA-□□	0-1	380VAC	20A	M20、NPT3/4" M25、G3/4"	140*138*104	1.23Kg	IP67	-45 °C ~ +55 °C
Ex-KVHSB-□□	1-2	380VAC	20A	M20、NPT3/4" M25、G3/4"	140*138*104	1.24Kg	IP67	-45 °C ~ +55 °C
Ex-KVHSC-□□	1-0-2	380VAC	20A	M20、NPT3/4" M25、G3/4"	140*138*104	1.24Kg	IP67	-45 °C ~ +55 °C

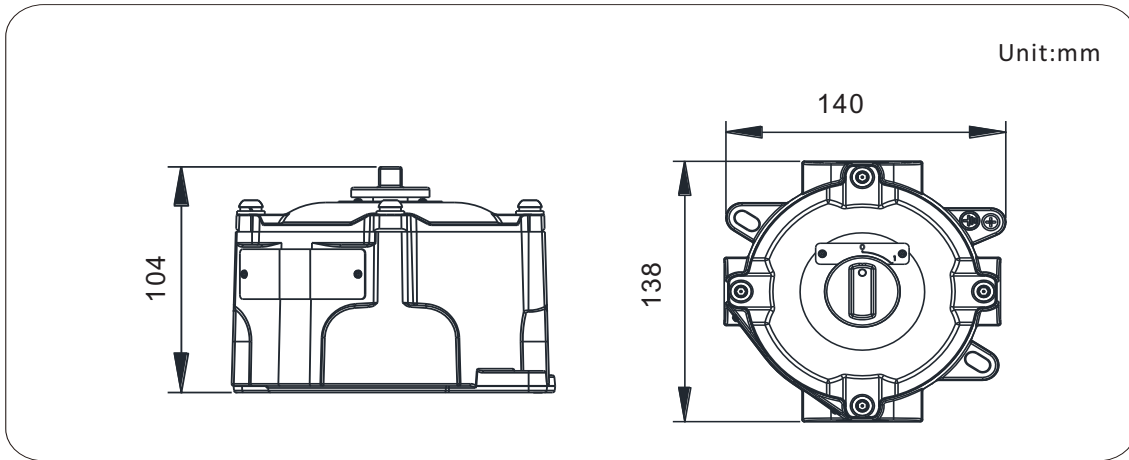
## Switch Parameter

Product type	Switch type	Crimping cross-sectional area	Dimension(MM)	Suggested stripping length
Ex-KVHSA-□□ 	0-1 	0.2-3.5mm <sup>2</sup>	50*50*43.1	5~8mm
Ex-KVHSB-□□ 	1-2 	0.2-3.5mm <sup>2</sup>	50*50*53.6	5~8mm
Ex-KVHSC-□□ 	1-0-2 	0.2-3.5mm <sup>2</sup>	50*50*53.6	5~8mm



ATEX Certified Switch in Hazardous Area.

## Size



## Installation Method

