



Explosion Proof Junction Box

ATEX Certified Junction Box in Hazardous Area.

Victoria Harbour Series

- ⚠ II 2 G Ex db op is IIC T5 or T6 Gb
- ⚠ II 2 D Ex tb op is IIC T95°C or T80°C Db IP66





Features And Benefits:

- 3 optional terminal blocks for easy connection, to meet different termination requirements
- PA terminals with excellent insulation and reliability
- Copper free aluminium enclosure
- Enclosure: electrostatic powder coated, hardware: Stainless steel
- Multi-type cable entries for different connection requirement
- Optionally, the cables can be introduced into the terminal boxes via conduits or explosion-proof screw connections. Drilled holes through which no cables are conducted should be closed with certified threaded stoppers.

Applications:



Oil & Gas Exploration



Drilling



Oil Refinery



Petrochemical Plant



Power Plant



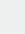
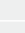
Pharmaceutical Plant



ATEX Certified Junction Box in Hazardous Area.

Explosion Proof Junction Box

Standard & Certificate:

Ex Mark:	Gas:  II 2 G Ex db op is IIC T5 or T6 Gb Dust:  II 2 D Ex tb op is IIIC T95°C or T80°C Db IP66
Certificate:	<ul style="list-style-type: none">• ATEX Certification NO.:ECM 19 ATEX-B SU43• RoHS• CE
Executive Standard:	<ul style="list-style-type: none">• EN 60079-0:2018• EN 60079-1:2014• EN 60079-7:2015+A1:2018• EN 60079-11:2012• EN 60079-18:2015+A1:2017• EN 60079-28:2015• EN 60079-31:2014• IEC 60079-0:2018• IEC 60079-7:2015+A1:2018
Classification:	<ul style="list-style-type: none">• Group II Zone 1 & 21 and 2 & 22

Electrical & Photometric Features:

Operating Voltage:	Max.690V
Rated current	20A
Insulation Class:	I

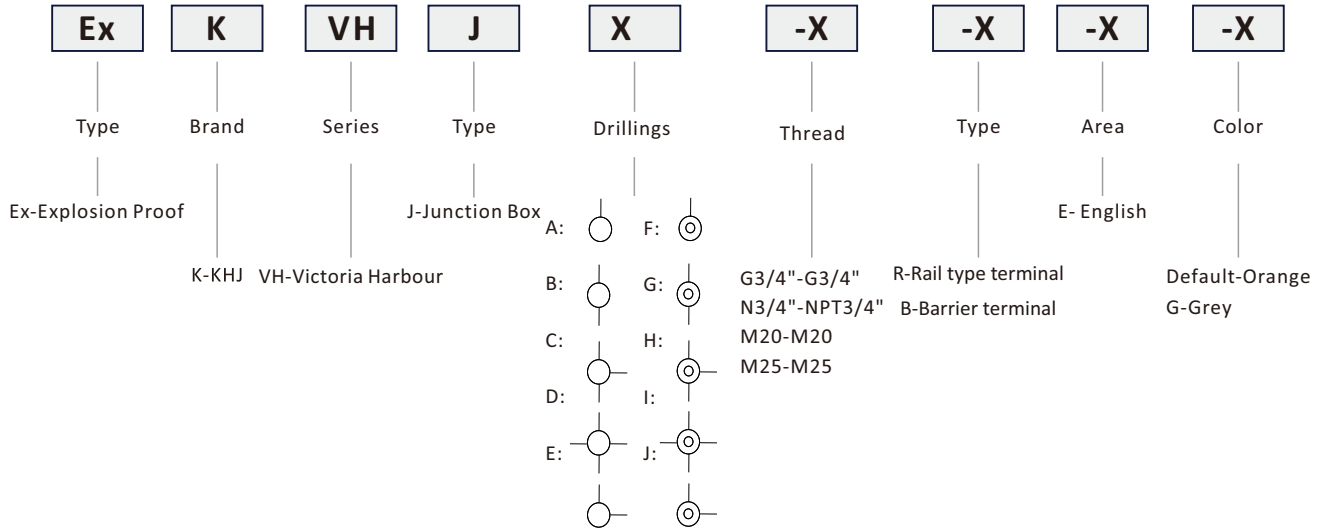
Mechanical Features:

Weight:	1.24Kg
Size:	140*138*89mm
Ambient Temperature:	-40°C-+55°C
Connecting Terminals:	3*1.0-4mm ² (L+N+PE)
Thread:	NPT 3/4" (G3/4",M20*1.5,M25*1.5 for optional)
IP Code:	IP67
Enclosure Material:	Die-casting aluminium alloy
Enclosure Colour:	Orange,RAL2011
Coating:	Epoxy powder coating



ATEX Certified Junction Box in Hazardous Area.

Production Definition



Product type And Diagrams


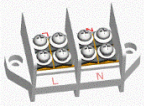
Product type	Type	Drillings	structural drawing	Qty of terminals (Rail-type)	Product type	Type	Drillings	Structural drawing	Qty of terminals (Rail-type)
Ex-KVHJA-□□-E	A			2	Ex-KVHJF-□□-E	F			2
Ex-KVHJB-□□-E	B			2	Ex-KVHJG-□□-E	G			4
Ex-KVHJC-□□-E	C			4	Ex-KVHJH-□□-E	H			4
Ex-KVHJD-□□-E	D			4	Ex-KVHJI-□□-E	I			6
Ex-KVHJE-□□-E	E			2	Ex-KVHJJ-□□-E	J			2

Remark: □ □ for type of thread M20、M25、NPT1/2、NTP3/4

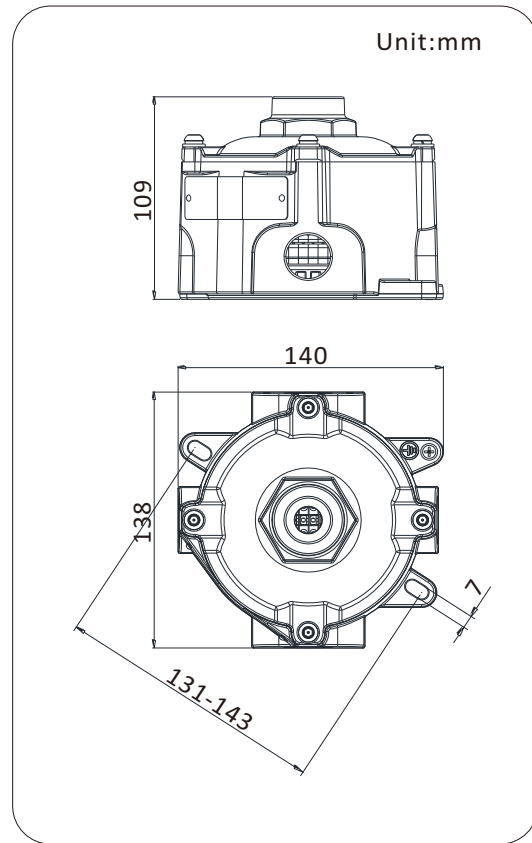
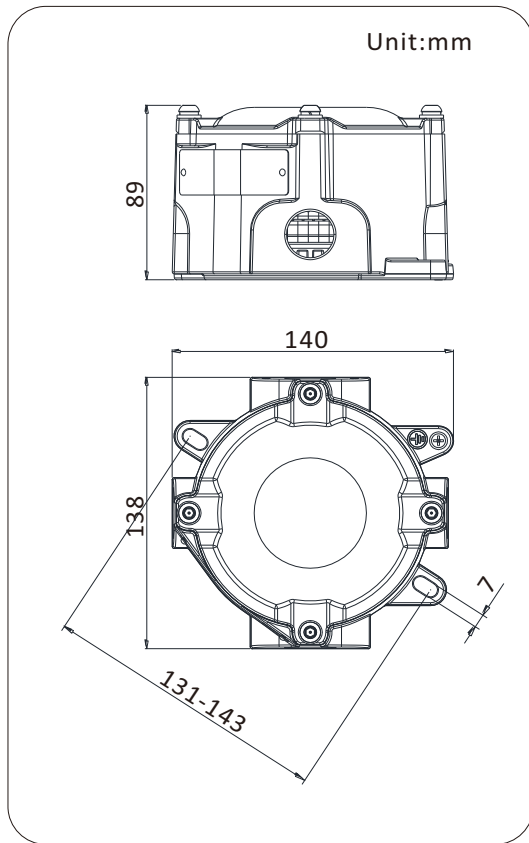


ATEX Certified Junction Box in Hazardous Area.

Parameters for terminal blocks

Type	Picture	Crimping cross-sectional area	QTY(PCS)	Dimension(mm)	material	Stripping length	Terminal mounting space on the terminal rail
Pillar		0.2-4mm ²	1	53*53*28	PA	8~10mm	18
Barrier terminal		0.2-4mm ²	1	75*38*36	PBT	5~8mm	/

Size





ATEX Certified Junction Box in Hazardous Area.

Installation Method

