



Tank Series



## LED Industrial Light

**CE & RoHS Certified LED Floodlight Light in Industrial Area.  
Tank Series**

**CE RoHS**

[www.khjled.com](http://www.khjled.com)



## Features And Benefits:

- High efficacy LED Source with long lifespan >100,000 hours
- 5-year performance warranty
- Low THD around 10%, Less interference
- 6KV Surge Protection
- Robust aluminium housing and strong tempered glass
- Vibration and shock resistant
- Low maintenance
- Dust proof structure design to avoid dust accumulation

## Applications:



Cement plants



Warehouse



Factory



Power Generation



Power Transmission



Shipping industry

# CE RoHS

CE & RoHS Certified LED Floodlight in Industrial Area.

## LED Floodlight

### Standard & Certificate:

|                     |   |
|---------------------|---|
| Certificate:        | <ul style="list-style-type: none"><li>• CE</li><li>• RoHS</li></ul>   |
| Executive Standard: | <ul style="list-style-type: none"><li>• EN 55015, EN 61547, EN 61000-3-2, EN 61000-3-3</li><li>• EN 60598-1, EN 60598-2-5, EN 62031, EN 62493</li><li>• IEC 62321-4, IEC 62321-5, IEC 62321-6</li><li>• IEC 62321-7-1, IEC 62321-7-2, IEC 62321-8</li></ul> |

### Electrical & Photometric Features:

|                     |   |
|---------------------|---|
| Luminaire Efficacy: | Max:152lm/W   |
| Lifespan:           | >50,000 hours   |
| Operating Voltage:  | 100-277 VAC,141-391VDC(347-480 VAC,491-679 VDC are optional)                        |
| Power:              | 80W/100W/120W(Single lamp) 160W/200W/240W(Two lamps),<br>320W/400W/480W(Four lamps) |
| Frequency:          | 50/60Hz   |
| Power Factor:       | > 0.98  |
| THD:                | < 10%   |
| Insulation Class:   | I   |
| Surge Protection:   | 4KV/6KV   |
| LED Driver:         | Over voltage protection/short circuit protection                                    |

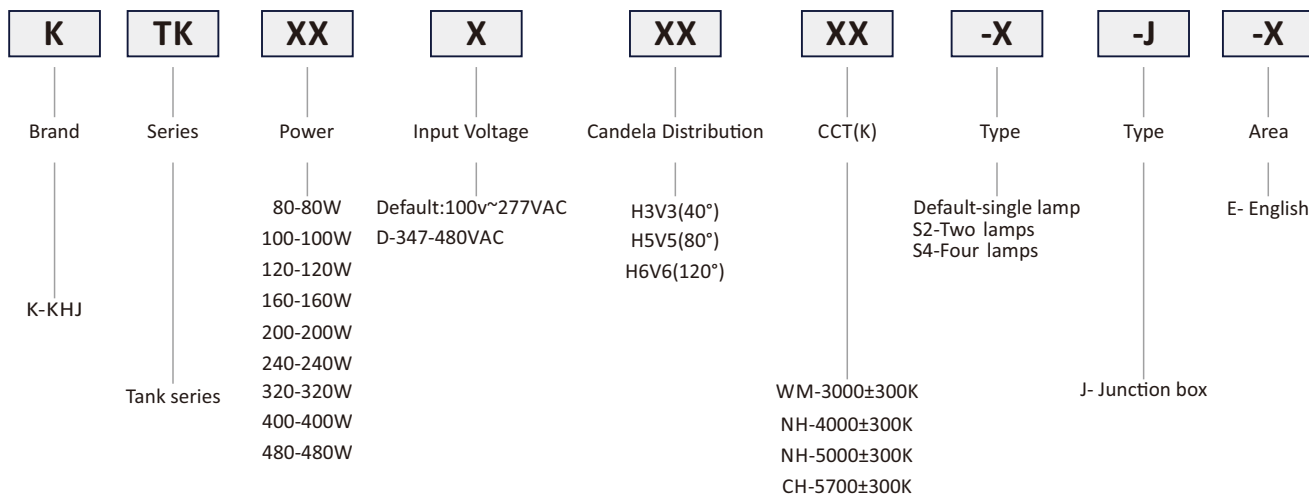
### Mechanical Features:

|                       |   |
|-----------------------|---|
| Weight:               | 8.3Kg(80W~120W)/15Kg(160W~240W)/32kg(320W~480W)                               |
| Size:                 | 332*212*142mm(80W~120W)/332*426*142mm(160W~240W)<br>/671*426*142mm(320W~480W) |
| Ambient Temperature:  | -40°C~+55°C   |
| Connecting Terminals: | 3*1.0-4.0mm <sup>2</sup> (L+N+PE)   |
| Cable Entries:        | 2XM20*1.5 (NPT 3/4", M25*1.5 are optional)                                    |
| Earthing Protection:  | M4 (Internal & external earth bolts)  |
| IP Code:              | IP66  |
| Enclosure Material:   | Aluminium   |
| Enclosure Colour:     | Grey RAL7040  |
| Coating:              | Epoxy powder coating  |
| Exposed Fastener:     | Stainless steel   |
| Protective Cover:     | Tempered glass,Stand 7J impact  |

# CE RoHS

CE & RoHS Certified LED Floodlight in Industrial Area.

## Production Definition



## Ordering information

| P/N               | Operating Voltage(V)         | Luminous Flux(lm) | Power(W) | CRI           | Color Temp.   | CCT(K)     |
|-------------------|------------------------------|-------------------|----------|---------------|---------------|------------|
| KTK80**CH-J-E     | 100-277 VAC<br>(141-392 VDC) | 12107             | 80       | 80            | Cool white    | 5700K±300K |
| KTK80**NH-J-E     |                              | 12107             |          | 80            | Natural white | 5000K±300K |
| KTK80**NH-J-E     |                              | 12107             |          | 80            | Natural white | 4000±300k  |
| KTK80**WM-J-E     |                              | 10896             |          | 80            | Warm white    | 3000±300k  |
| KTK100**CH-J-E    |                              | 14954             | 100      | 80            | Cool white    | 5700±300k  |
| KTK100**NH-J-E    |                              | 14954             |          | 80            | Natural white | 5000±300k  |
| KTK100**NH-J-E    |                              | 14954             |          | 80            | Natural white | 4000±300k  |
| KTK100**WM-J-E    |                              | 13458             |          | 80            | Warm white    | 3000±300k  |
| KTK120**CH-J-E    |                              | 17310             | 120      | 80            | Cool white    | 5700±300k  |
| KTK120**NH-J-E    |                              | 17310             |          | 80            | Natural white | 5000±300k  |
| KTK120**NH-J-E    |                              | 17310             |          | 80            | Natural white | 4000±300k  |
| KTK120**WM-J-E    |                              | 15579             |          | 80            | Warm white    | 3000±300k  |
| KTK160**CH-S2-J-E |                              | 22910             | 160      | 80            | Cool white    | 5700K±300K |
| KTK160**NH-S2-J-E |                              | 22910             |          | 80            | Natural white | 5000K±300K |
| KTK160**NH-S2-J-E |                              | 22910             |          | 80            | Natural white | 4000±300k  |
| KTK160**WM-S2-J-E |                              | 20619             |          | 80            | Warm white    | 3000±300k  |
| KTK200**CH-S2-J-E |                              | 29145             | 200      | 80            | Cool white    | 5700±300k  |
| KTK200**NH-S2-J-E |                              | 29145             |          | 80            | Natural white | 5000±300k  |
| KTK200**NH-S2-J-E |                              | 29145             |          | 80            | Natural white | 4000±300k  |
| KTK200**WM-S2-J-E |                              | 26230             |          | 80            | Warm white    | 3000±300k  |
| KTK240**CH-S2-J-E | 34136                        | 240               | 80       | Cool white    | 5700±300k     |            |
| KTK240**NH-S2-J-E | 34136                        |                   | 80       | Natural white | 5000±300k     |            |
| KTK240**NH-S2-J-E | 34136                        |                   | 80       | Natural white | 4000±300k     |            |
| KTK240**WM-S2-J-E | 30884                        |                   | 80       | Warm white    | 3000±300k     |            |



# CE RoHS

## CE & RoHS Certified LED Floodlight in Industrial Area.

| P/N               | Operating Voltage(V)         | Luminous Flux(lm) | Power(W) | CRI | Color Temp.   | CCT(K)    |
|-------------------|------------------------------|-------------------|----------|-----|---------------|-----------|
| KTK320**CH-S4-J-E | 100-277 VAC<br>(141-392 VDC) | 46400             | 320      | 80  | Cool white    | 5700±300k |
| KTK320**NH-S4-J-E |                              | 46400             |          | 80  | Natural white | 5000±300k |
| KTK320**NH-S4-J-E |                              | 46400             |          | 80  | Natural white | 4000±300k |
| KTK320**WM-S4-J-E |                              | 41760             |          | 80  | Warm white    | 3000±300k |
| KTK400**CH-S4-J-E |                              | 58054             | 400      | 80  | Cool white    | 5700±300k |
| KTK400**NH-S4-J-E |                              | 58054             |          | 80  | Natural white | 5000±300k |
| KTK400**NH-S4-J-E |                              | 58054             |          | 80  | Natural white | 4000±300k |
| KTK400**WM-S4-J-E |                              | 52248             |          | 80  | Warm white    | 3000±300k |
| KTK480**CH-S4-J-E |                              | 69120             | 480      | 80  | Cool white    | 5700±300k |
| KTK480**NH-S4-J-E |                              | 69120             |          | 80  | Natural white | 5000±300k |
| KTK480**NH-S4-J-E |                              | 69120             |          | 80  | Natural white | 4000±300k |
| KTK480**WM-S4-J-E |                              | 62208             |          | 80  | Warm white    | 3000±300k |

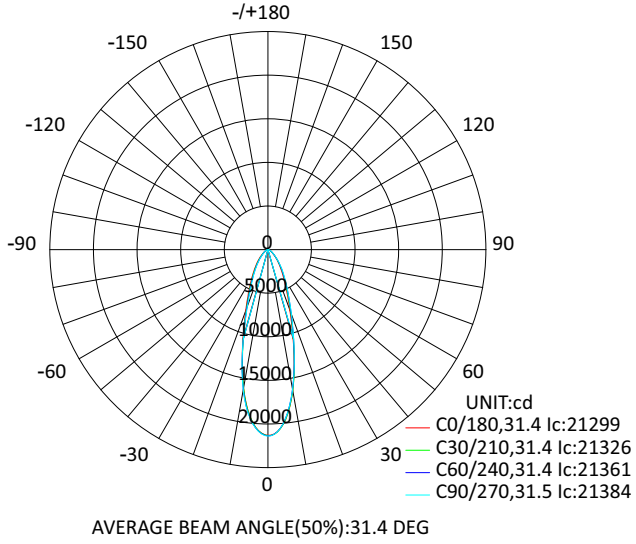
Remarks: 1.The first \* stands for Operating Voltage including default -100-277VAC,D-347-480VAC.

2.The second \* stands for Candela Distribution including H3V3,H5V5,H6V6.

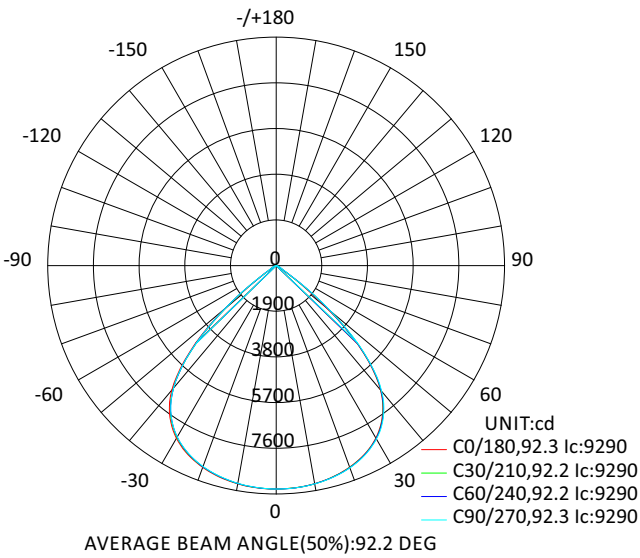
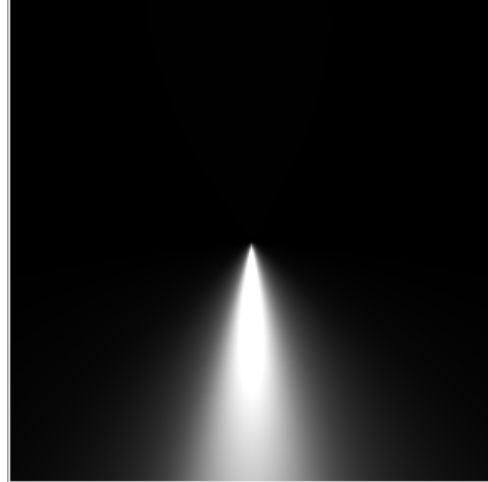
# CE RoHS

CE & RoHS Certified LED Floodlight in Industrial Area.

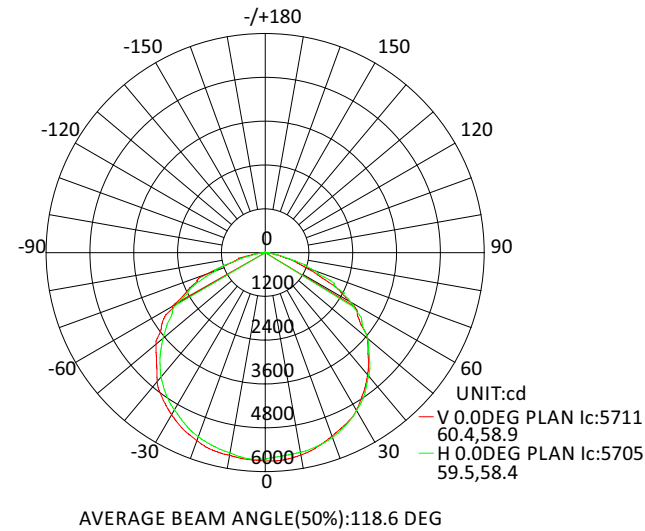
## Candela Distribution



H3V3(40°)/High efficacy LED Source



H5V5(80°)/High efficacy LED Source



H6V6(120°)/High efficacy LED Source



# CE RoHS

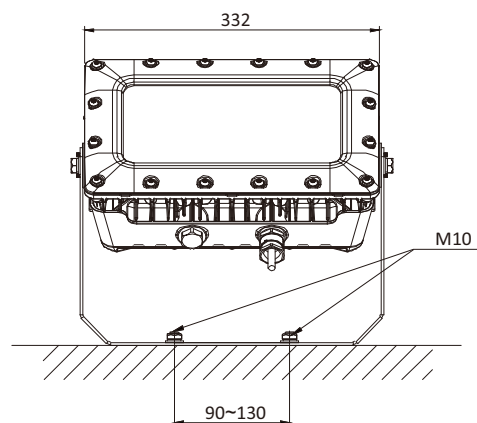
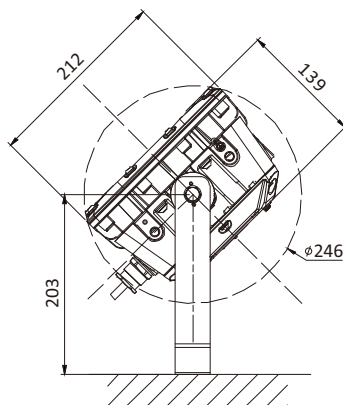
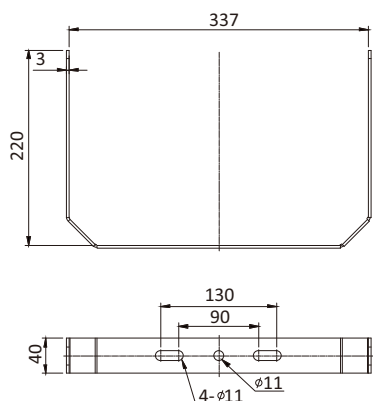
CE & RoHS Certified LED Floodlight in Industrial Area.

## Installation Method

### Stanchion mount / Wall mount

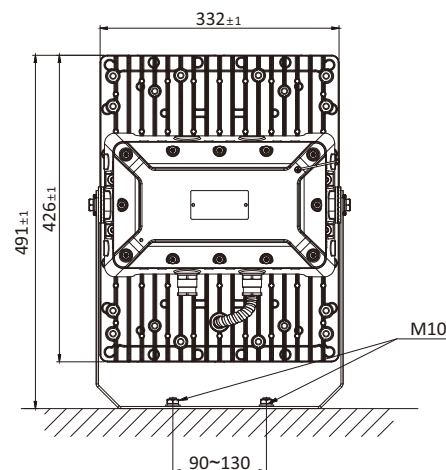
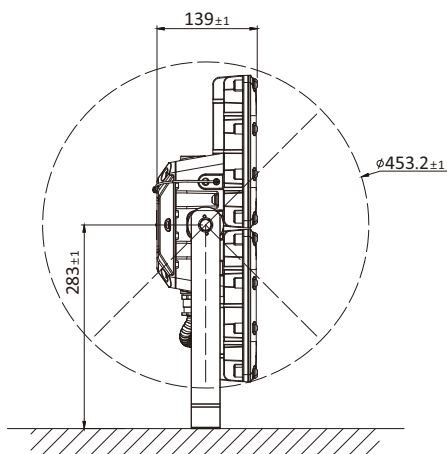
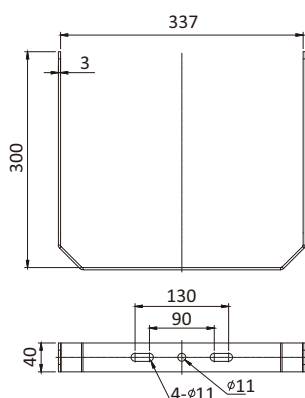
(unit:mm)

360°ROTATION(EVERY7.5° IS A ROTATION ANGLE),



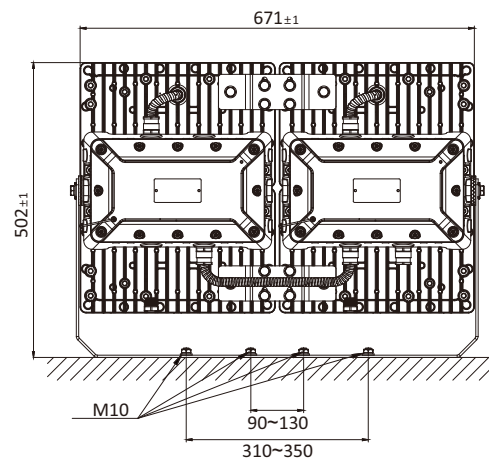
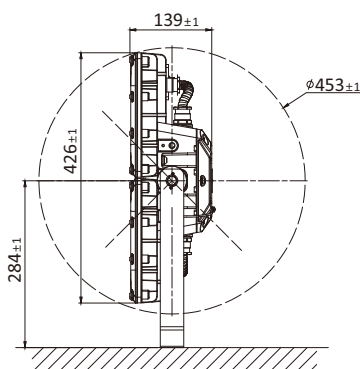
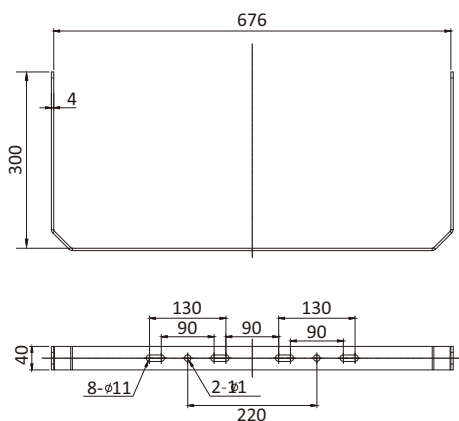
Single lamp

360°ROTATION(EVERY7.5° IS A ROTATION ANGLE),



Two lamps

360°ROTATION(EVERY7.5° IS A ROTATION ANGLE),



Four lamps

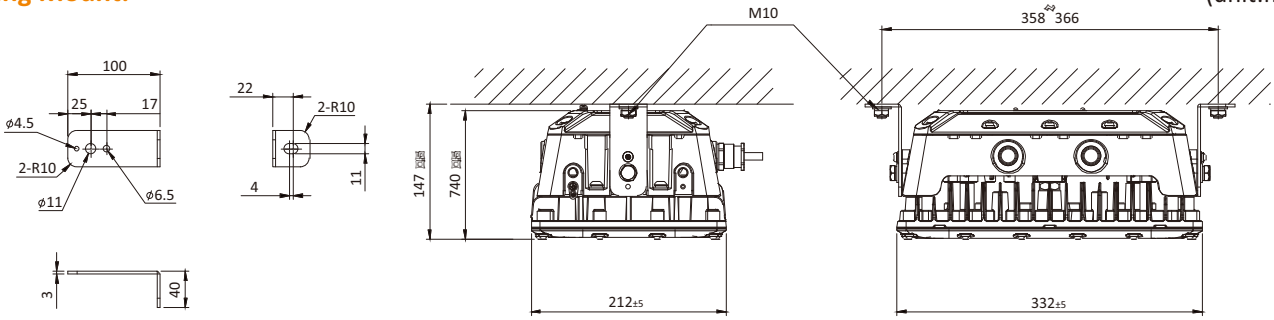
# CE RoHS

CE & RoHS Certified LED Floodlight in Industrial Area.

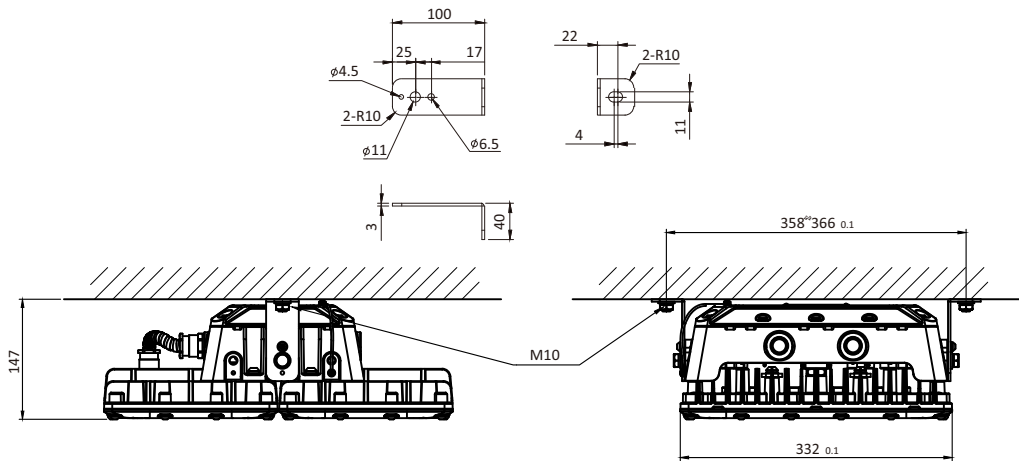
## Installation Method

### Ceiling Mount:

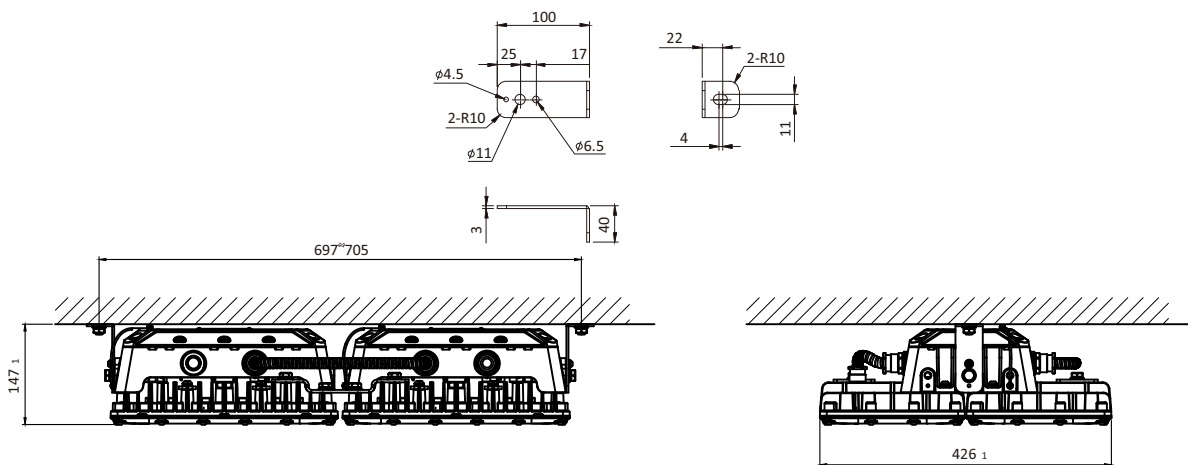
(unit:mm)



Single lamp



Two lamps



Four lamps



# CE RoHS

CE & RoHS Certified LED Floodlight in Industrial Area.

## Optional Parts

| No. | Installation accessories | Part No.        | Picture   | Material | Weight(Kg) | QTY         |   | Remark |
|-----|--------------------------|-----------------|---|----------|------------|-------------|---|--------|
| 1   | Ceiling bracket          | BR-TK-SUS316    |  | SUS316   | 0.4        | Single lamp | 1 |        |
|     |                          |                 |   |          |            | Two lamps   | 1 |        |
|     |                          |                 |   |          |            | Four lamps  | 1 |        |
| 2   | Stanchion bracket        | SBT-TK-SUS316   |  | SUS316   | 0.8        | 1           |   |        |
| 3   | Stanchion bracket        | SBT-TK-2-SUS316 |  | SUS316   | 1          | 1           |   |        |
| 4   | Stanchion bracket        | SBT-TK-4-SUS316 |  | SUS316   | 2          | 1           |   |        |