

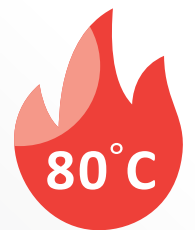


Tank Series



LED Industrial Light

**CE & RoHS Certified LED Floodlight Light in Industrial Area.
Tank Series**



CE RoHS

www.khjled.com



Features And Benefits:

- High efficacy LED Source with long lifespan >100,000 hours
- 3-year Warranty (12Hrs / Day) or 14000hrs @ Ta=-40°C~+80°C
- Low THD around 10%, Less interference
- 6KV Surge Protection
- Robust aluminium housing and strong tempered glass
- Vibration and shock resistant
- Low maintenance
- Dust proof structure design to avoid dust accumulation

Applications:



Cement plants



Warehouse



Factory



Power Generation



Power Transmission



Shipping industry

CE RoHS

CE & RoHS Certified LED Floodlight in Industrial Area.

LED Floodlight

Standard & Certificate:	
Certificate:	<ul style="list-style-type: none">• CE• RoHS
Executive Standard:	<ul style="list-style-type: none">• EN 55015, EN 61547, EN 61000-3-2, EN 61000-3-3• EN 60598-1, EN 60598-2-5, EN 62031, EN 62493• IEC 62321-4, IEC 62321-5, IEC 62321-6• IEC 62321-7-1, IEC 62321-7-2, IEC 62321-8

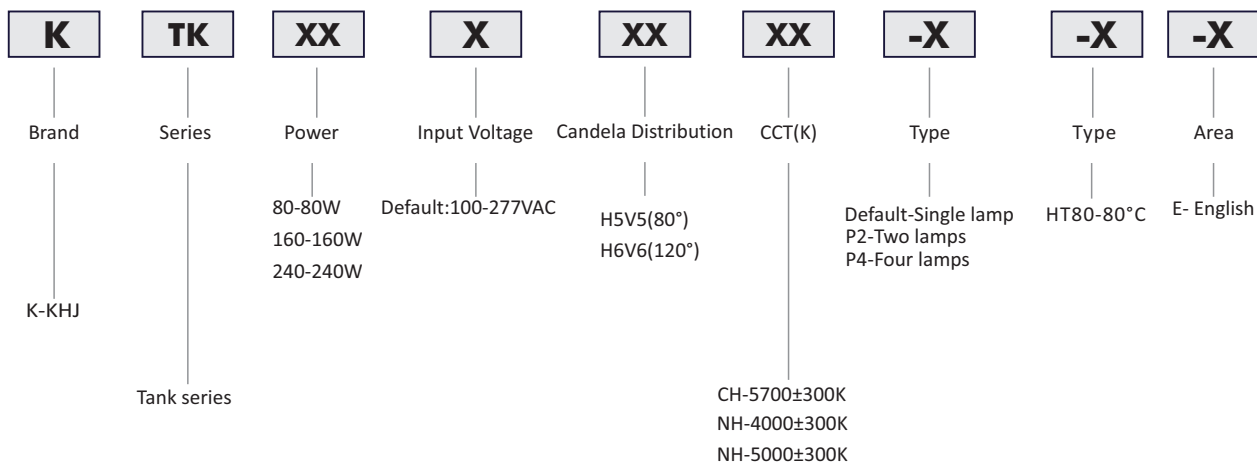
Electrical & Photometric Features:	
Luminaire Efficacy:	Max:120lm/W
Lifespan:	>100,000 hours
Operating Voltage:	100-277 VAC
Power:	80W(Single lamp),160W(Two lamps),240W(Four lamps)
Frequency:	50/60Hz
Power Factor:	>0.98
THD:	<10%
Insulation Class:	I
Surge Protection:	4KV/6KV
LED Driver:	Over voltage protection/short circuit protection

Mechanical Features:	
Weight:	9.3Kg(80W)/15Kg(160W)/31kg(240W)
Size:	332*212*142mm(80W)/332*426*142mm(160W) /671*426*142mm(240W)
Ambient Temperature:	-40°C~+80°C
Connecting Terminals:	3*1.0-4mm ² (L+N+PE)
Cable Entries:	2XM20*1.5 (NPT 3/4", M25*1.5 are optional)
Earthing Protection:	M4 (Internal & external earth bolts)
IP Code:	IP66
Enclosure Material:	Aluminium
Enclosure Colour:	Grey RAL7040
Coating:	Epoxy powder coating
Exposed Fastener:	Stainless steel
Protective Cover:	Tempered glass,Stand 7J impact

CE RoHS

CE & RoHS Certified LED Floodlight in Industrial Area.

Production Definition



Ordering information

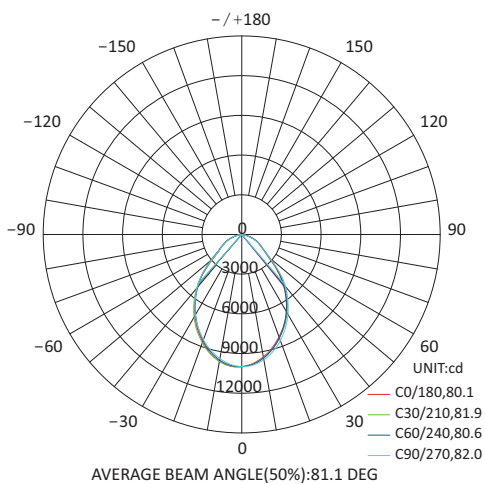
P/N	Operating Voltage(V)	Luminous Flux(lm)	Power(W)	CRI	Color Temp.	CCT(K)
KTK80**CH-HT80-E	100-277 VAC	9600	80	70	Cool white	5700±300
KTK80**NH-HT80-E		9600		70	Natural white	5000±300
KTK80**NH-HT80-E		9600		70	Natural white	4000±300
KTK160**CH-P2-HT80-E		19200	160	70	Cool white	5700±300
KTK160**NH-P2-HT80-E		19200		70	Natural white	5000±300
KTK160**NH-P2-HT80-E		19200		70	Natural white	4000±300
KTK240**CH-P4-HT80-E		28800	240	70	Cool white	5700±300
KTK240**NH-P4-HT80-E		28800		70	Natural white	5000±300
KTK240**NH-P4-HT80-E		28800		70	Natural white	4000±300

Remarks: 1.The first * stands for Operating Voltage including default -100-277VAC.
2.The second * stands for Candela Distribution including H5V5,H6V6.

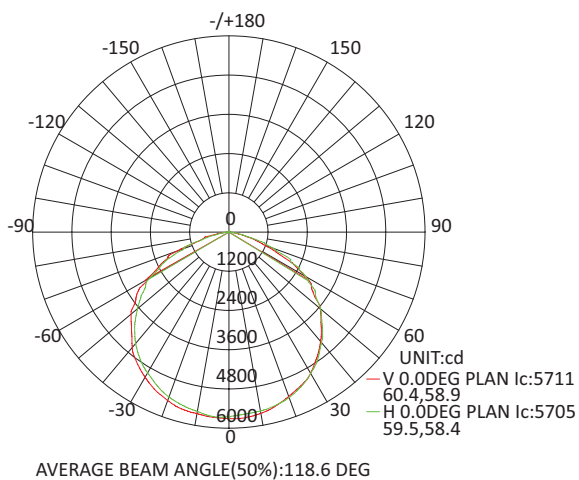
CE RoHS

CE & RoHS Certified LED Floodlight in Industrial Area.

Candela Distribution



H5V5(80°)/High efficacy LED Source



H6V6(120°)/High efficacy LED Source



CE RoHS

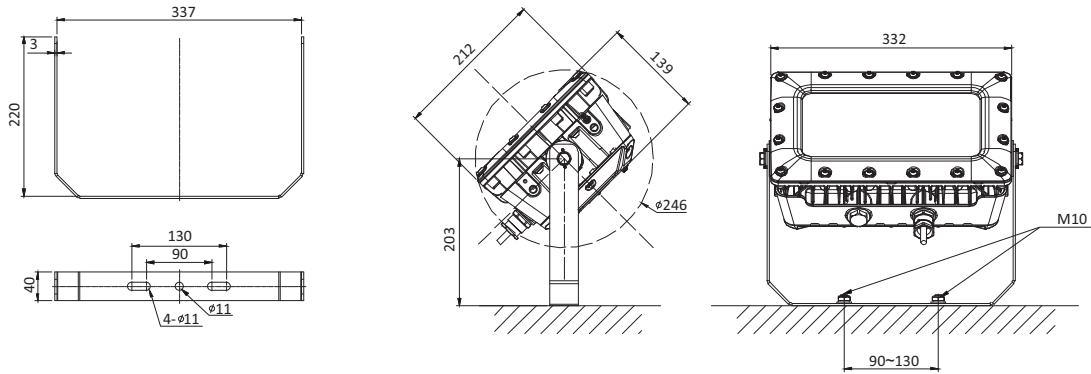
CE & RoHS Certified LED Floodlight in Industrial Area.

Installation Method

Stanchion mount / Wall mount:

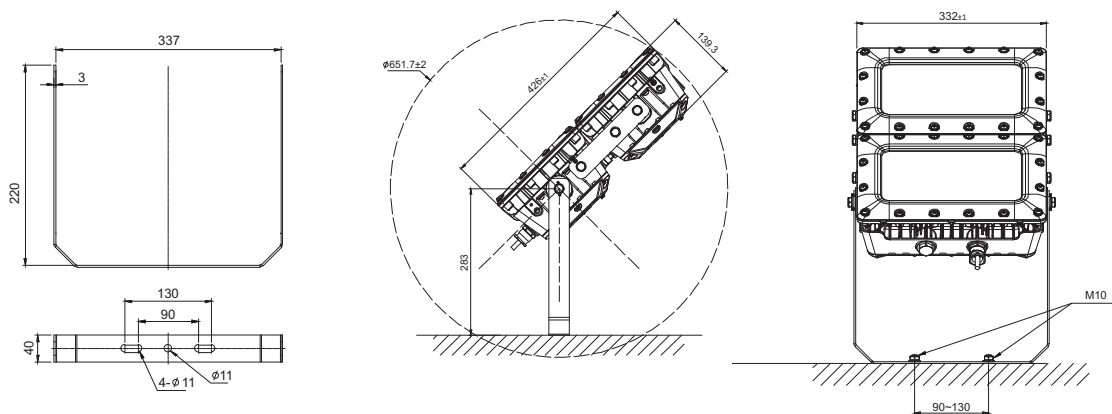
(unit:mm)

360°ROTATION(EVERY7.5° IS A ROTATION ANGLE),



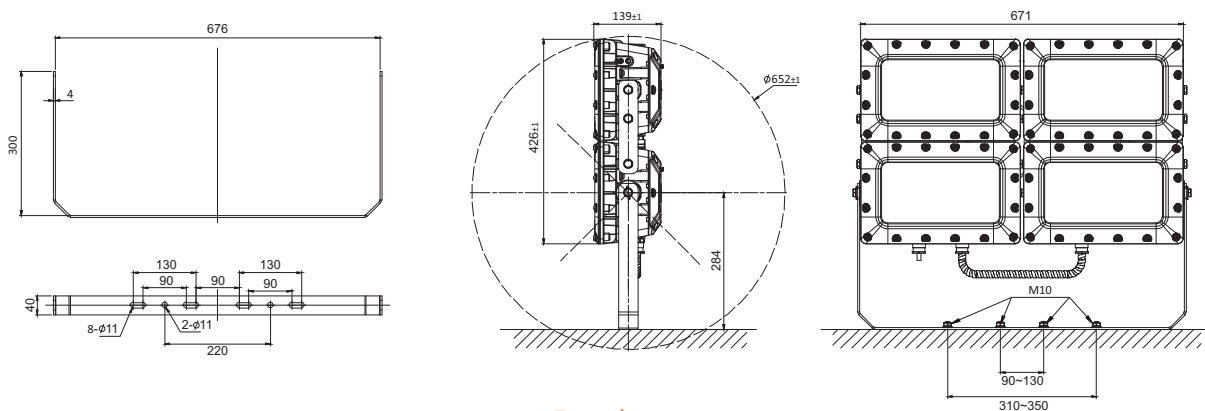
Single lamp

180°ROTATION(EVERY7.5° IS A ROTATION ANGLE),



Two lamps

180°ROTATION(EVERY7.5° IS A ROTATION ANGLE),



Four lamps

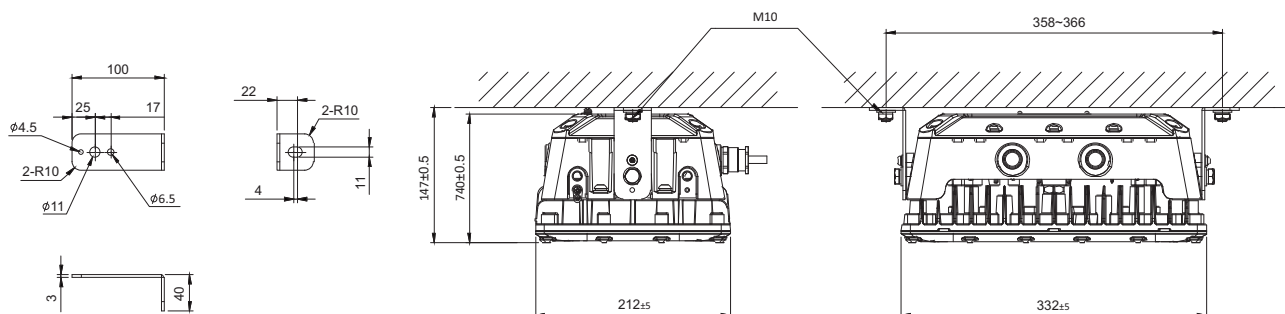
CE RoHS

CE & RoHS Certified LED Floodlight in Industrial Area.

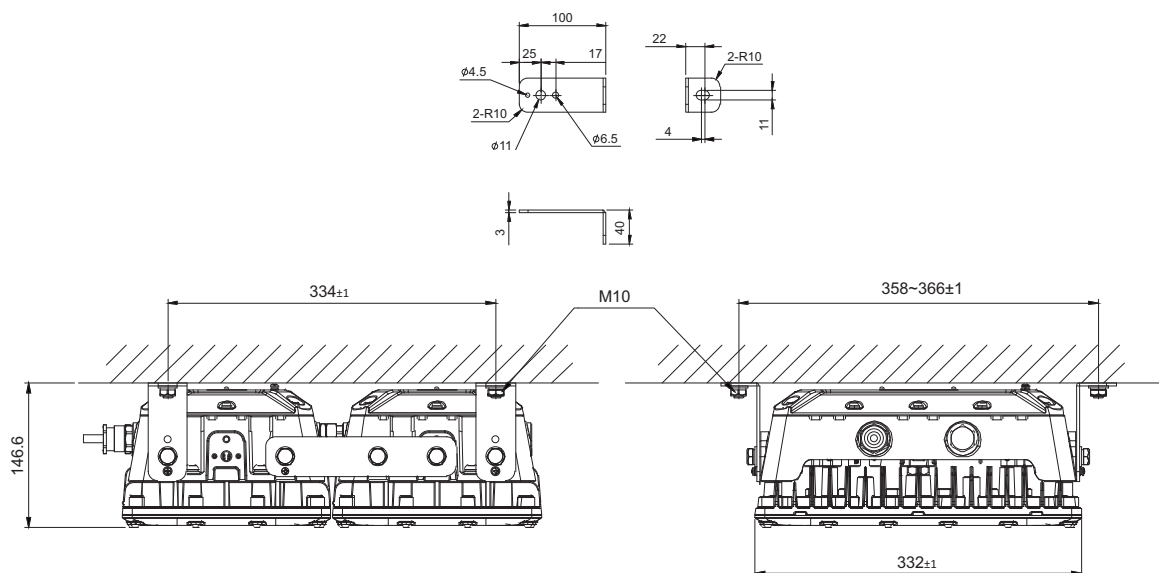
Installation Method

Ceiling mount:

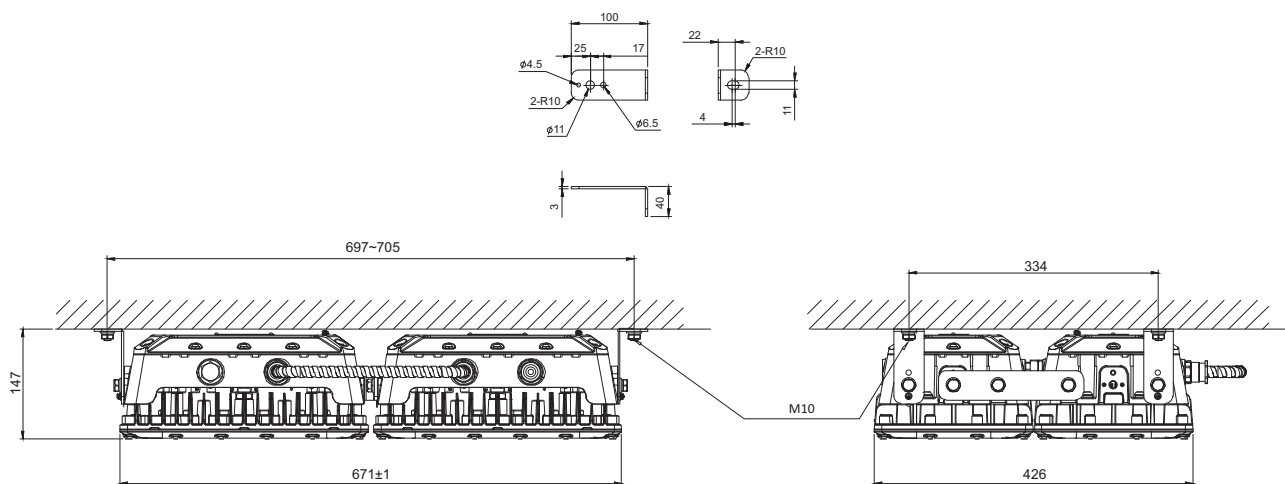
(unit:mm)



Single lamp



Two lamps

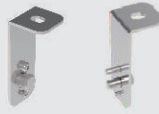





Four lamps

CE RoHS

CE & RoHS Certified LED Floodlight in Industrial Area.

Optional Parts

No.	Installation accessories	Part No.	Picture	Material	Weight(Kg)	QTY		Remark
1	Ceiling bracket	BR-TK-SUS316		SUS316	0.4	Single lamp	1	
						Two lamps	2	
						Four lamps	2	
2	Stanchion bracket	SBT-TK-SUS316		SUS316	0.8	1		
3	Stanchion bracket	SBT-TK-2-SUS316		SUS316	1	1		
4	Stanchion bracket	SBT-TK-4-SUS316		SUS316	2	1		