

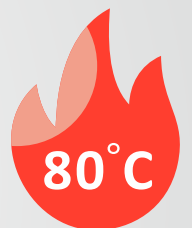


Swordfish Series



LED Industrial Light

**CE & RoHS Certified LED Linear light in Industrial Area.
Swordfish Series**



CE ROHS

www.khjled.com



Features And Benefits:

- High efficacy LED Source with long lifespan, L70 > 100,000 hours @ 25°C ambient
- 3-year Warranty(12Hrs / Day) or 14000hrs @ Ta=-40°C~+80°C
- Low THD around 10%,Less interference
- 5KV Surge Protection
- Robust aluminium housing and strong tempered glass
- Vibration and shock resistant
- Low maintenance

Applications:



Cement plants



Warehouse



Factory



Power Generation



Power Transmission



Shipping industry

CE ROHs

CE & RoHS Certified LED Linear light in Industrial Area.

LED Linear light

Standard & Certificate:

Certificate:	<ul style="list-style-type: none">• CE• RoHS• ABS
Executive Standard:	<ul style="list-style-type: none">• EN 55015, EN 61547, EN 61000-3-2, EN 61000-3-3,• EN 60598-1, EN 60598-2-5, EN 62031, EN 62493,• IEC 62321-4, IEC 62321-5, IEC 62321-6,• IEC 62321-7-1, IEC 62321-7-2, IEC 62321-8

Electrical & Photometric Features:

Luminaire Efficacy:	115lm/W
Lifespan:	>100,000 hours
Operating Voltage:	100-277 VAC
Power(W):	18W/36W(0.6m),36W/48W(0.9m)
Frequency:	50/60Hz
Power Factor:	>0.98
THD:	<10%
Insulation Class:	I
Surge Protection:	5KV
LED Driver:	Over voltage protection/short circuit protection

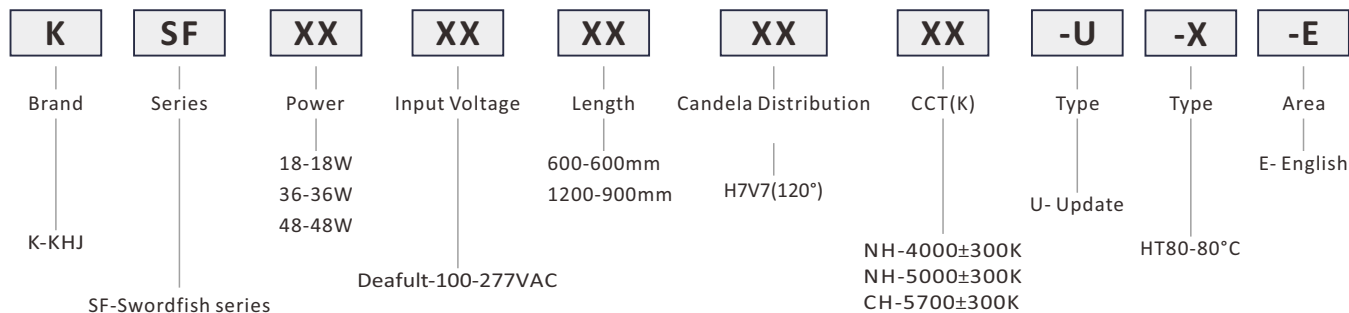
Mechanical Features:

Weight:	6.9Kg(0.6m)/9.2Kg(0.9m)
Size:	600*136*124mm(18W/36W)/900*136*124mm(36W/48W)
Ambient Temperature:	-40°C~+80°C
Connecting Terminals:	3*1.0-4.0mm ² (L+N+PE)
Cable Entries:	2XNPT 3/4" (M20*1.5, M25*1.5 are optional)
Earthing Protection:	M4 (Internal & external earth bolts)
IP Code:	IP66
Enclosure Material:	Copper-free Aluminium
Enclosure Colour:	Grey RAL7040
Coating:	Epoxy powder coating
Exposed Fastener:	Stainless steel
Protective Cover:	Tempered glass,Stand 7J impact

CE ROHs

CE & RoHS Certified LED Linear light in Industrial Area.

Production Definition



Ordering Information

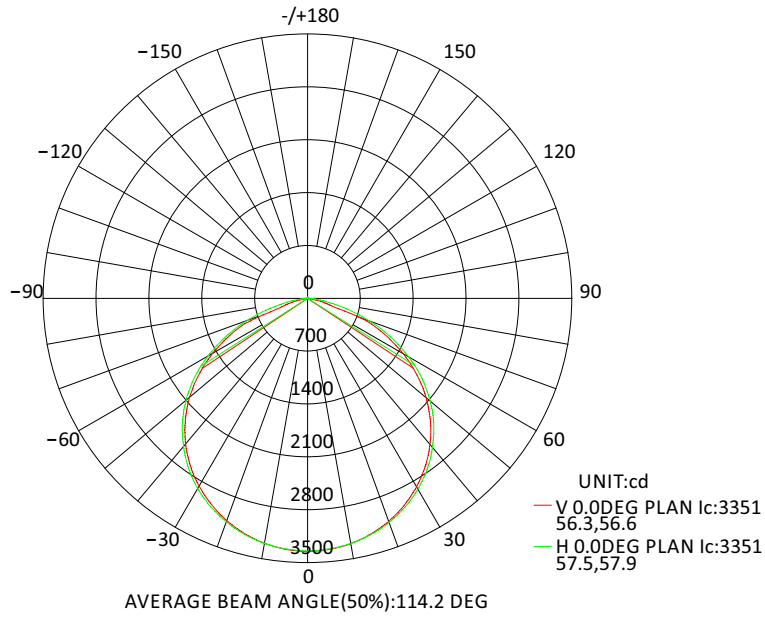
P/N	Operating Voltage(V)	Luminous Flux(lm)	Power(W)	CRI	Color Temp.	CCT(K)
KSF18*600H7V7NH-U-HT80-E	100-277 AC	2070	18	70	Natural white	4000±300
KSF18*600H7V7NH-U-HT80-E		2070	18	70	Natural white	5000±300
KSF18*600H7V7CH-U-HT80-E		2070	18	70	Cool white	5700±300
KSF36*600H7V7NH-U-HT80-E		4140	36	70	Natural white	4000±300
KSF36*600H7V7NH-U-HT80-E		4140	36	70	Natural white	5000±300
KSF36*600H7V7CH-U-HT80-E		4140	36	70	Cool white	5700±300
KSF36*1200H7V7NH-U-HT80-E		4140	36	70	Natural white	4000±300
KSF36*1200H7V7NH-U-HT80-E		4140	36	70	Natural white	5000±300
KSF36*1200H7V7CH-U-HT80-E		4140	36	70	Cool white	5700±300
KSF48*1200H7V7NH-U-HT80-E		5520	48	70	Natural white	4000±300
KSF48*1200H7V7NH-U-HT80-E		5520	48	70	Natural white	5000±300
KSF48*1200H7V7CH-U-HT80-E		5520	48	70	Cool white	5700±300

Remarks: 1.The first * stands for Operating Voltage including default -100-277VAC

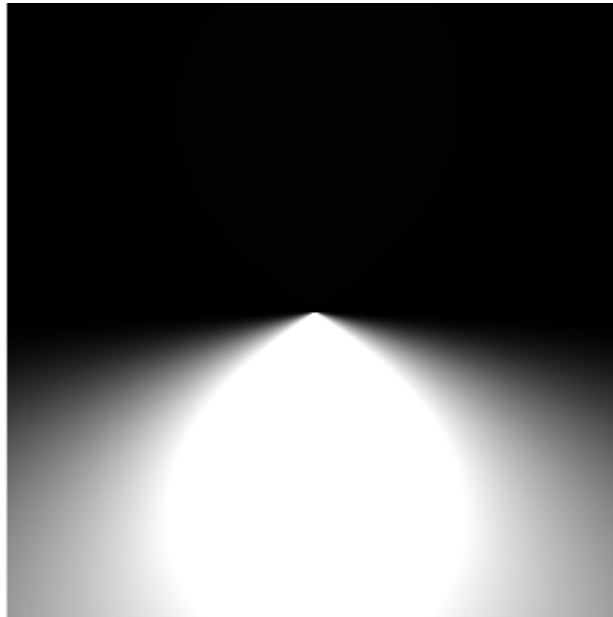
CE ROHs

CE & RoHS Certified LED Linear light in Industrial Area.

Candela Distribution



H7V7(120°)/High Efficacy LED Source

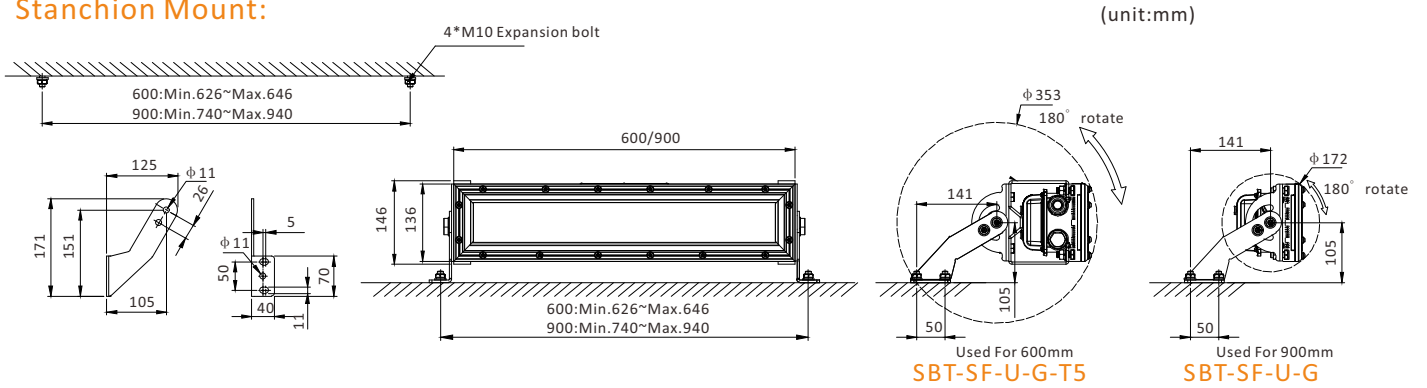


CE ROHs

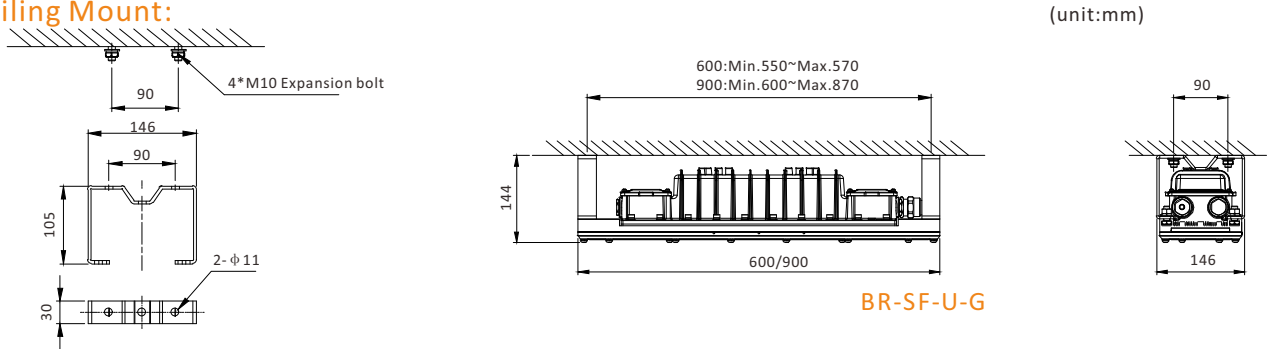
CE & RoHS Certified LED Linear light in Industrial Area.

Installation Method

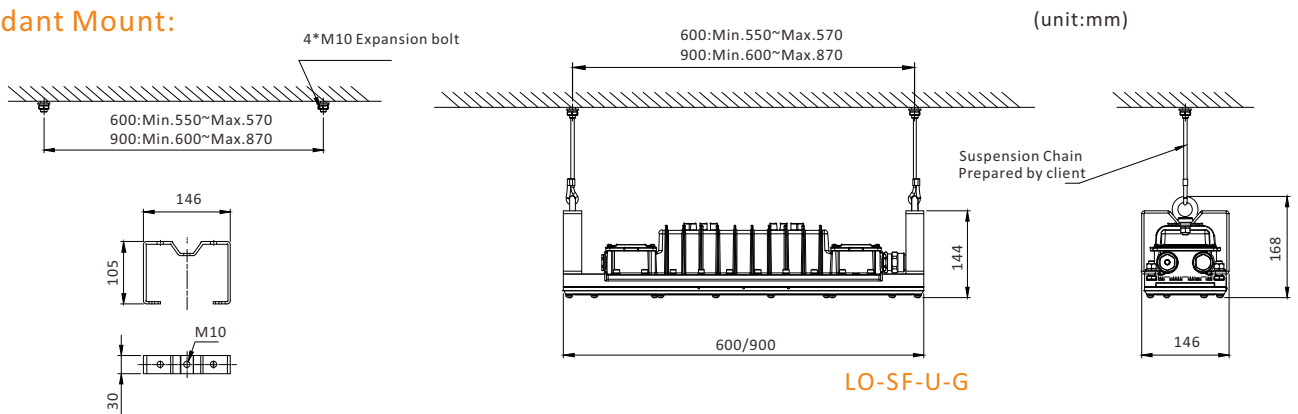
Stanchion Mount:



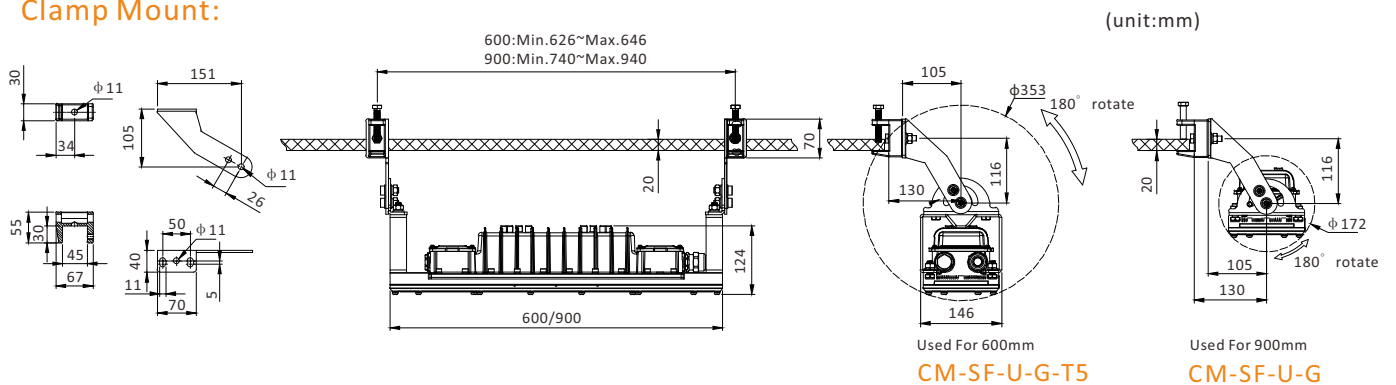
Ceiling Mount:



Pendant Mount:



Clamp Mount:

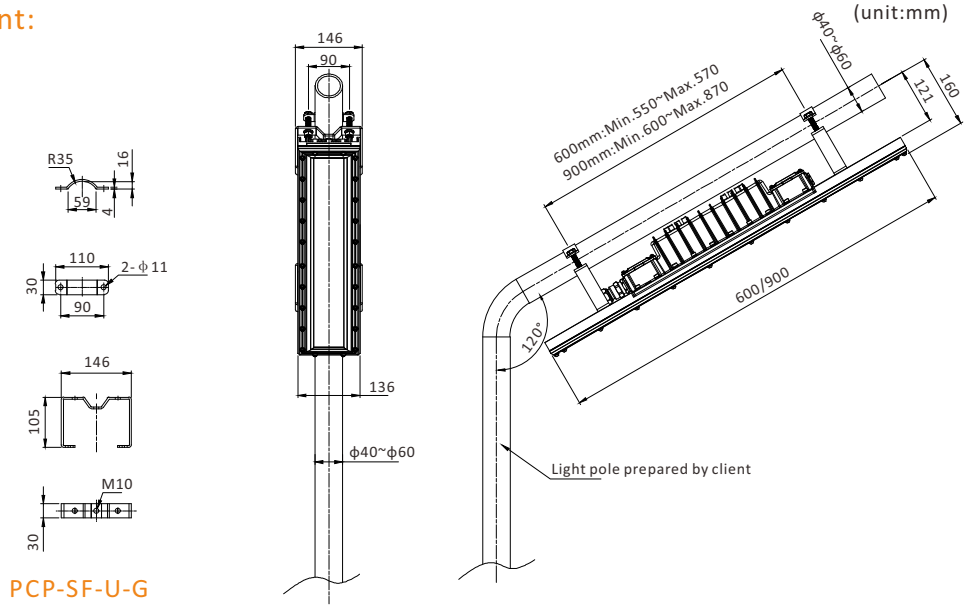


CE ROHs

CE & RoHS Certified LED Linear light in Industrial Area.

Installation Method

Pipe Clamp Mount:



Optional Parts

No.	Installation accessories	Part No.	Picture	Material	Weight(Kg)	QTY	Remark
1	Bracket	BR-SF-U-G		Q235	0.8	2	Ceiling Mount
2	Loop	LO-SF-U-G		Q235	1.2	2	Pendant Mount
3	Pipe Clamp	PCP-SF-U-G		Q235	1.8	2	Pipe clamp
4	Stanchion bracket	SBT-SF-U-G		Q235	2.6	2	Stanchion mount Wall mount (900mm)
5	Clamp mount	CM-SF-U-G		Q235	3	2	Clamp mount (900mm)
6	Stanchion bracket	SBT-SF-U-G-T5		Q235	3.4	2	Stanchion mount Wall mount (600mm)
7	Clamp mount	CM-SF-U-G-T5		Q235	3.8	2	Clamp mount (600mm)