



LED Industrial Light

**CE & RoHS Certified LED Emergency Linear light in Industrial Area.
Swordfish Series**

CE ROHS

www.khjled.com



Features And Benefits:

- High efficacy LED Source with long lifespan >50,000 hours
- 3-year performance warranty
- Low THD around 10%, Less interference
- 5KV Surge Protection
- Robust aluminium housing and strong tempered glass
- Vibration and shock resistant
- Low maintenance

Applications:



Cement plants



Warehouse



Factory



Power Generation



Power Transmission



Shipping industry

CE ROHs

CE & RoHS Certified LED Emergency Linear light in Industrial Area.

LED Linear light

Standard & Certificate:

Certificate:	• CE	• RoHS	• ABS
Executive Standard:	• EN 55015, EN 61547, EN 61000-3-2, EN 61000-3-3 • EN 60598-1, EN 60598-2-5, EN 62031, EN 62493 • IEC 62321-4, IEC 62321-5, IEC 62321-6 • IEC 62321-7-1, IEC 62321-7-2, IEC 62321-8		

Electrical & Photometric Features:

Luminaire Efficacy:	136.5lm/W
Lifespan:	>50,000 hours
Operating Voltage:	220-240 VAC 311-339 VDC
Power(W):	Normal:18/36/48/56/72 Emergency:5
Frequency:	50/60Hz
Power Factor:	>0.98
THD:	<10%
Insulation Class:	I
Surge Protection:	5KV
LED Driver:	Over voltage protection/short circuit protection
Battery Capacity:	2.2 Ah
Battery Type:	Ni-Cd
Battery Lifespan:	500 cycles
Back up:	180 min
Chargeing time: (after full discharge)	24 hours

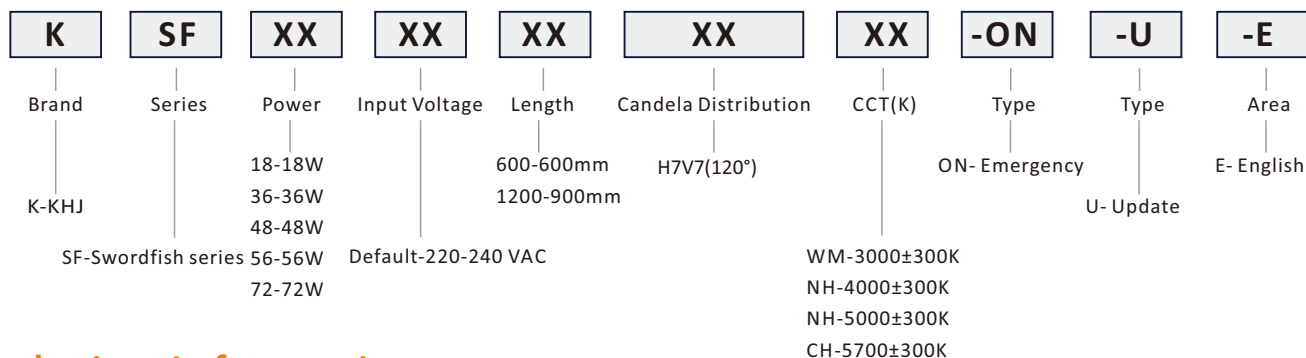
Mechanical Features:

Weight:	7.3Kg(0.6m)/9.6Kg(0.9m)
Size:	600*136*124mm(18W/36W/48W)/900*136*124mm(36W/48W/56W/72W)
Ambient Temperature:	-20°C-+55°C
Connecting Terminals:	3*1.0-4.0mm ² (L+N+PE)
Cable Entries:	2XM25*1.5 (NPT 3/4", M20*1.5 are optional)
Earthing Protection:	M4 (Internal & external earth bolts)
IP Code:	IP66
Enclosure Material:	Copper-free Aluminium
Enclosure Colour:	Grey RAL7040
Coating:	Epoxy powder coating
Exposed Fastener:	Stainless steel
Protective Cover:	Tempered glass,Stand 7J impact

CE ROHs

CE & RoHS Certified LED Emergency Linear light in Industrial Area.

Production Definition



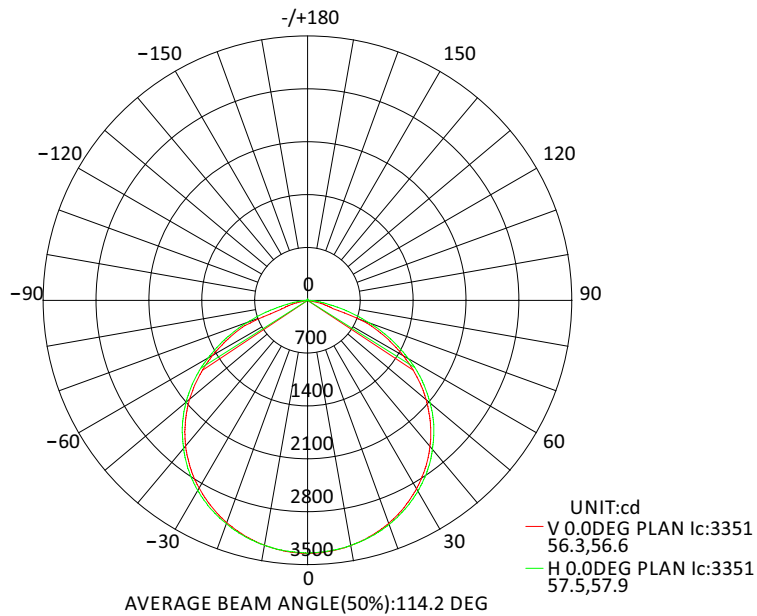
Ordering Information

P/N	Operating Voltage(V)	Luminous Flux(lm)		Power(W)		CRI	Color Temp.	CCT(K)
		Normal	Emergency	Normal	Emergency			
KSF18600H7V7WM-ON-U-E	220-240 AC (311-339 DC)	2268	630	18	5	82	Warm white	3000±300
KSF18600H7V7NH-ON-U-E		2457	683	18		70	Natural white	4000±300
KSF18600H7V7NH-ON-U-E		2457	683	18		70	Natural white	5000±300
KSF18600H7V7CH-ON-U-E		2457	683	18		70	Cool white	5700±300
KSF36600H7V7WM-ON-U-E		4536	630	36		82	Warm white	3000±300
KSF36600H7V7NH-ON-U-E		4914	683	36		70	Natural white	4000±300
KSF36600H7V7NH-ON-U-E		4914	683	36		70	Natural white	5000±300
KSF36600H7V7CH-ON-U-E		4914	683	36		70	Cool white	5700±300
KSF48600H7V7WM-ON-U-E		6048	630	48		82	Warm white	3000±300
KSF48600H7V7NH-ON-U-E		6552	683	48		70	Natural white	4000±300
KSF48600H7V7NH-ON-U-E		6552	683	48		70	Natural white	5000±300
KSF48600H7V7CH-ON-U-E		6552	683	48		70	Cool white	5700±300
KSF361200H7V7WM-ON-U-E		4536	630	36		82	Warm white	3000±300
KSF361200H7V7NH-ON-U-E		4914	683	36		70	Natural white	4000±300
KSF361200H7V7NH-ON-U-E		4914	683	36		70	Natural white	5000±300
KSF361200H7V7CH-ON-U-E		4914	683	36		70	Cool white	5700±300
KSF481200H7V7WM-ON-U-E		6048	630	48		82	Warm white	3000±300
KSF481200H7V7NH-ON-U-E		6552	683	48		70	Natural white	4000±300
KSF481200H7V7NH-ON-U-E		6552	683	48		70	Natural white	5000±300
KSF481200H7V7CH-ON-U-E		6552	683	48		70	Cool white	5700±300
KSF561200H7V7WM-ON-U-E		7056	630	56		82	Warm white	3000±300
KSF561200H7V7NH-ON-U-E		7644	683	56		70	Natural white	4000±300
KSF561200H7V7NH-ON-U-E		7644	683	56		70	Natural white	5000±300
KSF561200H7V7CH-ON-U-E		7644	683	56		70	Cool white	5700±300
KSF721200H7V7WM-ON-U-E		9072	630	72		82	Warm white	3000±300
KSF721200H7V7NH-ON-U-E		9828	683	72		70	Natural white	4000±300
KSF721200H7V7NH-ON-U-E		9828	683	72		70	Natural white	5000±300
KSF721200H7V7CH-ON-U-E		9828	683	72		70	Cool white	5700±300

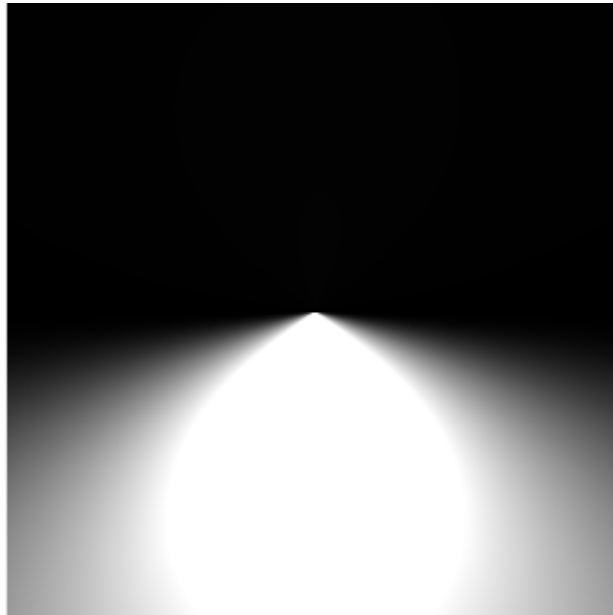
CE ROHS

CE & RoHS Certified LED Emergency Linear light in Industrial Area.

Candela Distribution



H7V7(120°)/High Efficacy LED Source

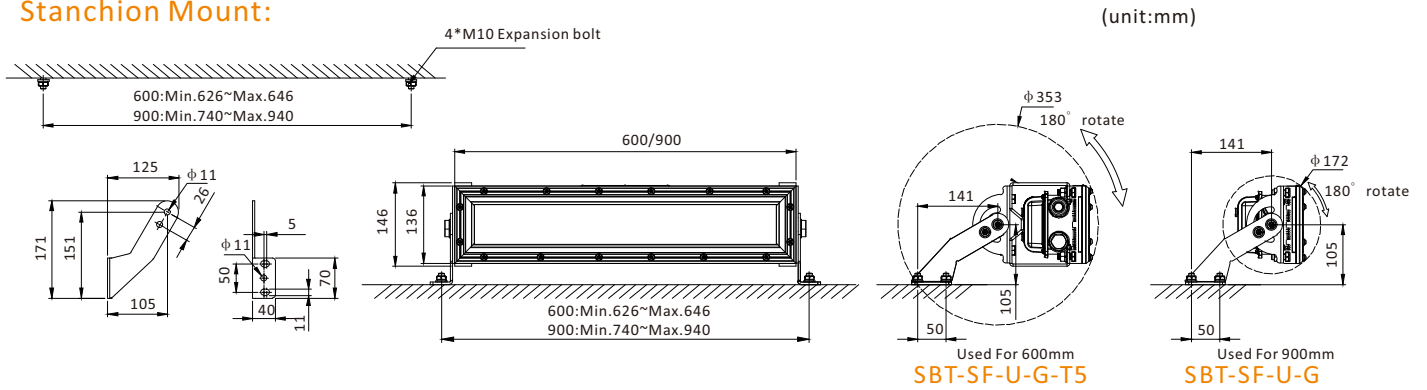


CE ROHs

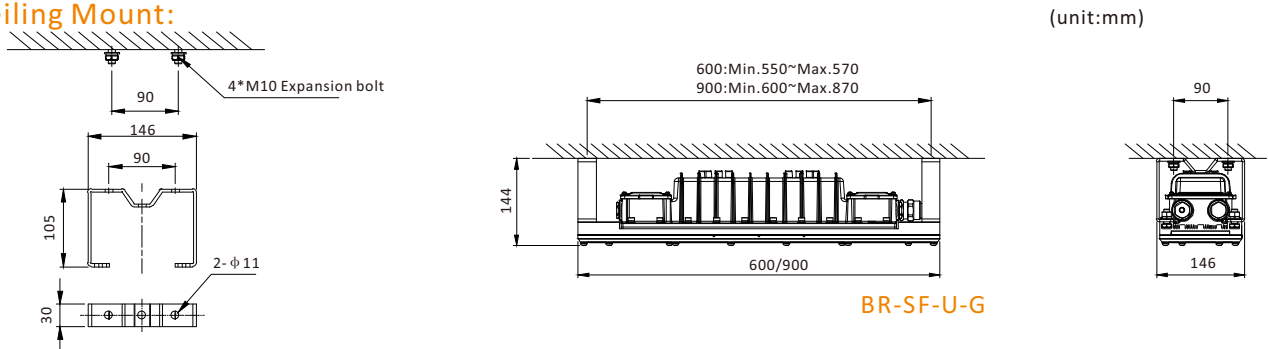
CE & RoHS Certified LED Emergency Linear light in Industrial Area.

Installation Method

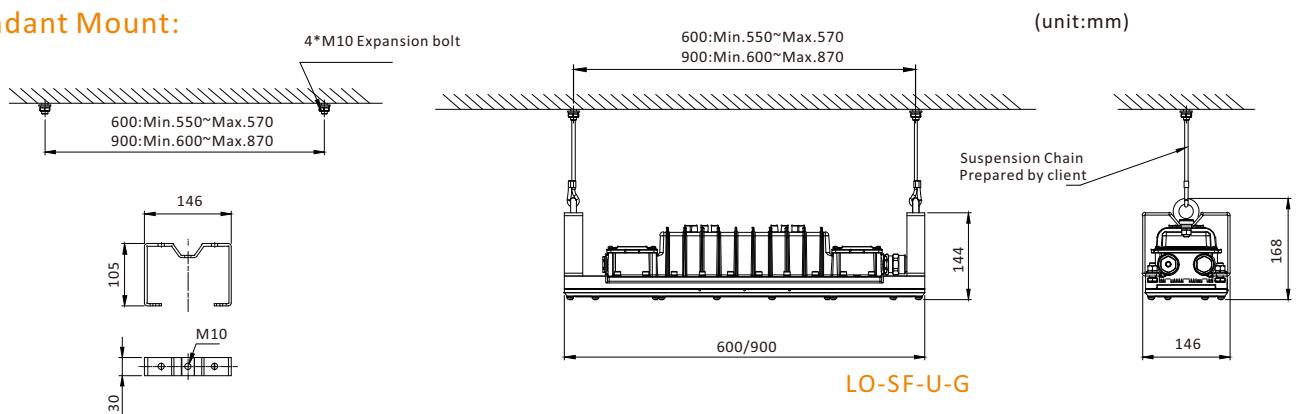
Stanchion Mount:



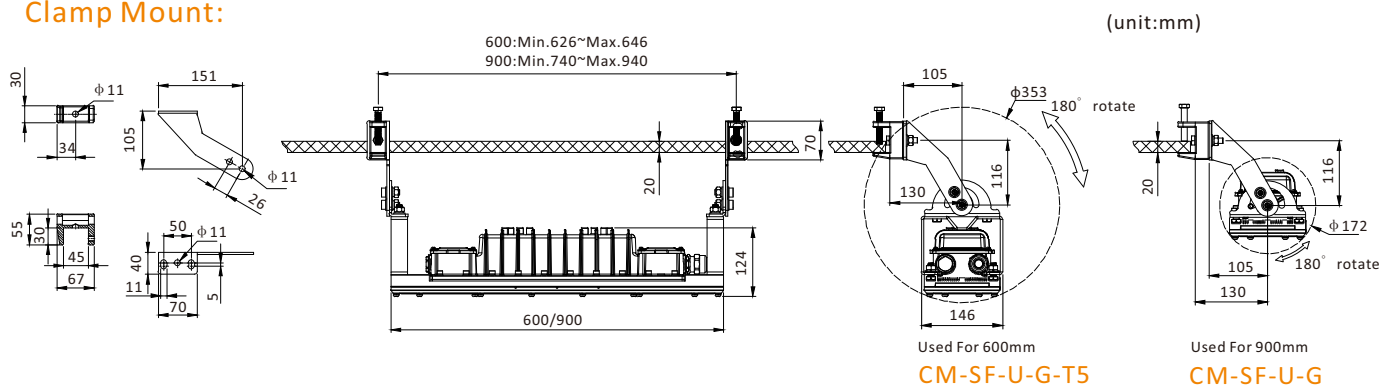
Ceiling Mount:



Pendant Mount:



Clamp Mount:

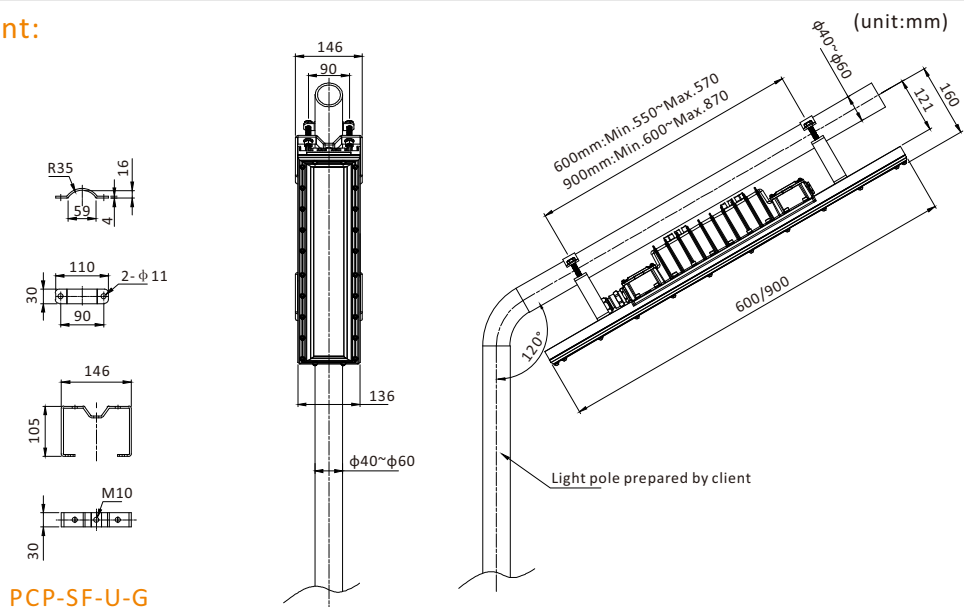


CE ROHs

CE & RoHS Certified LED Emergency Linear light in Industrial Area.

Installation Method

Pipe Clamp Mount:



Optional Parts

No.	Installation accessories	Part No.	Picture	Material	Weight(Kg)	QTY	Remark
1	Bracket	BR-SF-U-G		Q235	0.8	2	Ceiling Mount
2	Loop	LO-SF-U-G		Q235	1.2	2	Pendant Mount
3	Pipe Clamp	PCP-SF-U-G		Q235	1.8	2	Pipe clamp
4	Stanchion bracket	SBT-SF-U-G		Q235	2.6	2	Stanchion mount Wall mount (900mm)
5	Clamp mount	CM-SF-U-G		Q235	3	2	Clamp mount (900mm)
6	Stanchion bracket	SBT-SF-U-G-T5		Q235	3.4	2	Stanchion mount Wall mount (600mm)
7	Clamp mount	CM-SF-U-G-T5		Q235	3.8	2	Clamp mount (600mm)