

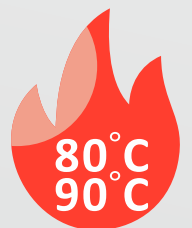


SeaLion Series



## LED Industrial Light

**CE & RoHS Certified LED Floodlight/bay light**  
**High bay light in Industrial Area.**  
**SeaLion Series**



**RoHS**

[www.khjled.com](http://www.khjled.com)





## Features And Benefits:

- High efficacy LED Source with long lifespan, L70 > 100,000 hours @ 25°C ambient
- 3-year Warranty(12Hrs / Day ) or 14000hrs @ Ta=-40°C~+80°C
- 2-year Warranty(12Hrs / Day ) or 10000hrs @ Ta=-40°C~+90°C
- Low THD around 10%,Less interference
- 5KV Surge Protection
- Robust aluminium housing and strong tempered glass
- Vibration and shock resistant
- Low maintenance

## Applications:



Cement plants



Warehouse



Factory



Power Generation



Power Transmission



Shipping industry

# CE RoHS

CE & RoHS Certified LED Floodlight/bay light/High bay light in Industrial Area.

## LED Floodlight/bay light/High bay light

### Standard & Certificate:

Certificate:	• CE • RoHS
Executive Standard:	• EN 55015, EN 61547, EN 61000-3-2, EN 61000-3-3, • EN 60598-1, EN 60598-2-5, EN 62031, EN 62493, • IEC 62321-4, IEC 62321-5, IEC 62321-6, • IEC 62321-7-1, IEC 62321-7-2, IEC 62321-8

### Electrical & Photometric Features:

Luminaire Efficacy:	110lm/W
Lifespan:	>100,000 hours
Operating Voltage:	100-277 VAC/141-392 VDC
Power:	30W/45W/60W/80W/100W/120W
Frequency:	50/60Hz
Power Factor:	>0.98
THD:	<10%
Insulation Class:	I
Surge Protection:	4KV/6KV
LED Driver:	Over voltage protection/short circuit protection

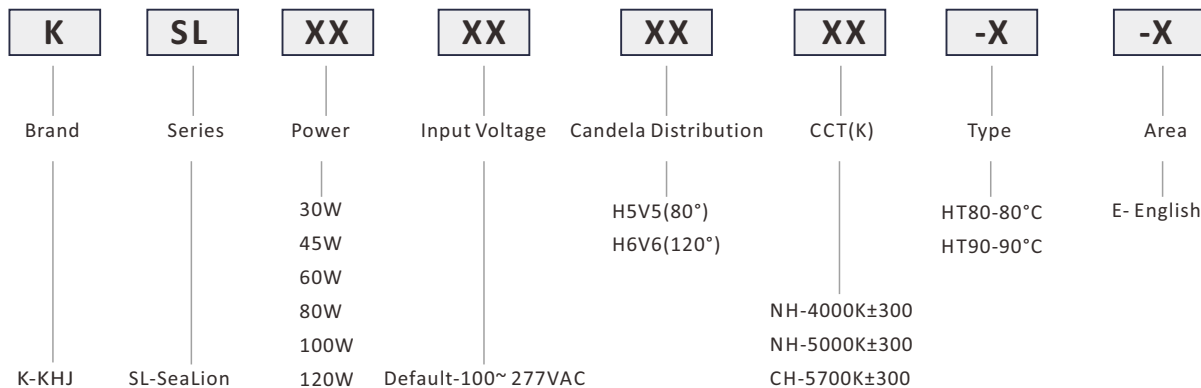
### Mechanical Features:

Weight:	8.5Kg(30/45W)/11Kg(60/80W)/14Kg(100/120W)
Size:	φ 275*195mm(30/45W)/ φ 330*197mm(60/80W) φ 415*197mm(100/120W)
Ambient Temperature:	-40°C~+80°C/-40°C~+90°C
Connecting Terminals:	3*1.0-4.0mm <sup>2</sup> (L+N+PE)
Cable Entries:	2XM25*1.5 (M20*1.5, NPT 3/4" are optional)
Earthing Protection:	M4 (Internal & external earth bolts)
IP Code:	IP66
Enclosure Material:	Die-casting aluminium alloy
Enclosure Colour:	Grey RAL7040
Coating:	Epoxy powder coating
Exposed Fastener:	Stainless steel
Protective Cover:	Tempered glass, Stand 7J impact

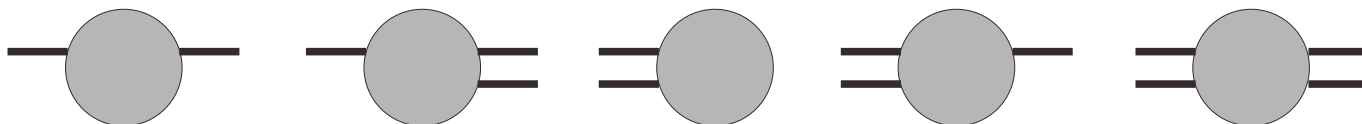
# CE RoHS

CE & RoHS Certified LED Floodlight/bay light/High bay light in Industrial Area.

## Production Definition



## Entry Type



Remark: 100W/120W is only available with the cable entry at one side

## Ordering Information

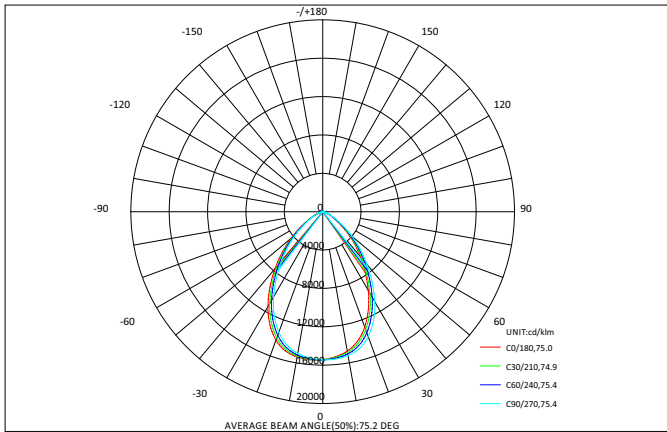
P/N	Operating Voltage(V)	Luminous Flux(lm)	Power(W)	CRI	Color Temp.	CCT(K)
KSL30*NH-*-E	100~277 AC (141~392 DC)	3300	30	70	Natural white	4000±300
KSL30*NH-*-E		3300	30	70	Natural white	5000±300
KSL30*CH-*-E		3300	30	70	Cool white	5700±300
KSL45*NH-*-E		4950	45	70	Natural white	4000±300
KSL45*NH-*-E		4950	45	70	Natural white	5000±300
KSL45*CH-*-E		4950	45	70	Cool white	5700±300
KSL60*NH-*-E		6600	60	70	Natural white	4000±300
KSL60*NH-*-E		6600	60	70	Natural white	5000±300
KSL60*CH-*-E		6600	60	70	Cool white	5700±300
KSL80*NH-*-E		8800	80	70	Natural white	4000±300
KSL80*NH-*-E		8800	80	70	Natural white	5000±300
KSL80*CH-*-E		8800	80	70	Cool white	5700±300
KSL100*NH-*-E		11000	100	70	Natural white	4000±300
KSL100*NH-*-E		11000	100	70	Natural white	5000±300
KSL100*CH-*-E		11000	100	70	Cool white	5700±300
KSL120*NH-*-E		13200	120	70	Natural white	4000±300
KSL120*NH-*-E		13200	120	70	Natural white	5000±300
KSL120*CH-*-E		13200	120	70	Cool white	5700±300

- Remarks: 1. \*Stands for beam angle, including H5V5 / H6V6.  
 2. \*stands for the maximum ambient temperature including 80°C or 90°C.  
 3. Only 30W,60W and 100W are available on 90°C.

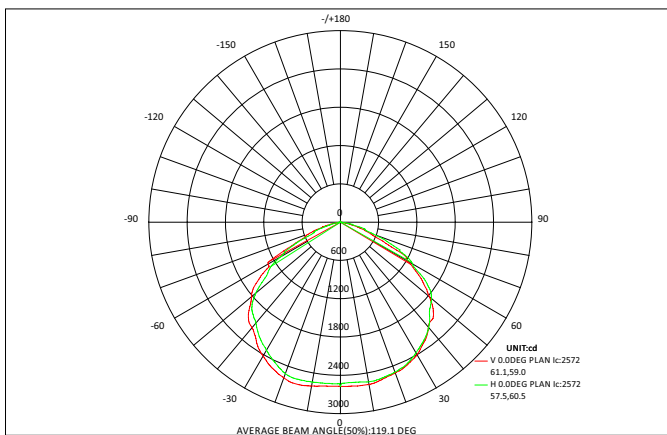
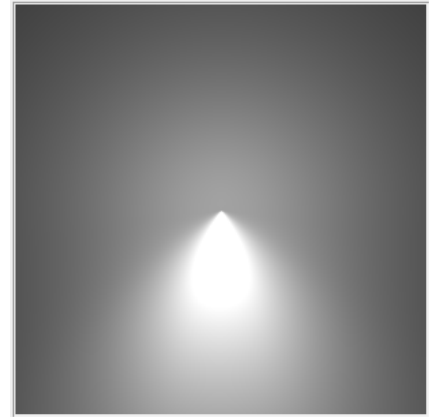
# CE RoHS

CE & RoHS Certified LED Floodlight/bay light/High bay light in Industrial Area.

## Candela Distribution



H5V5(80°)/High Efficacy LED Source



H6V6(120°)/High Efficacy LED Source



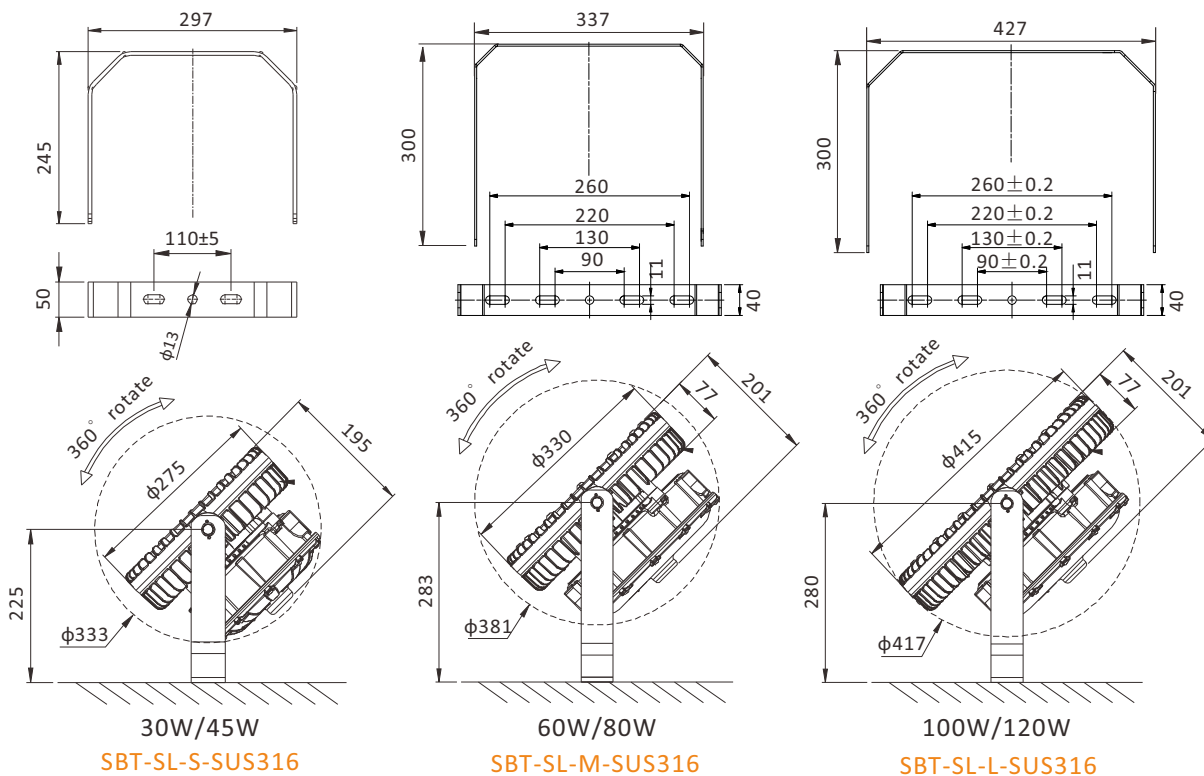
# CE RoHS

CE & RoHS Certified LED Floodlight/bay light/High bay light in Industrial Area.

## Installation Method

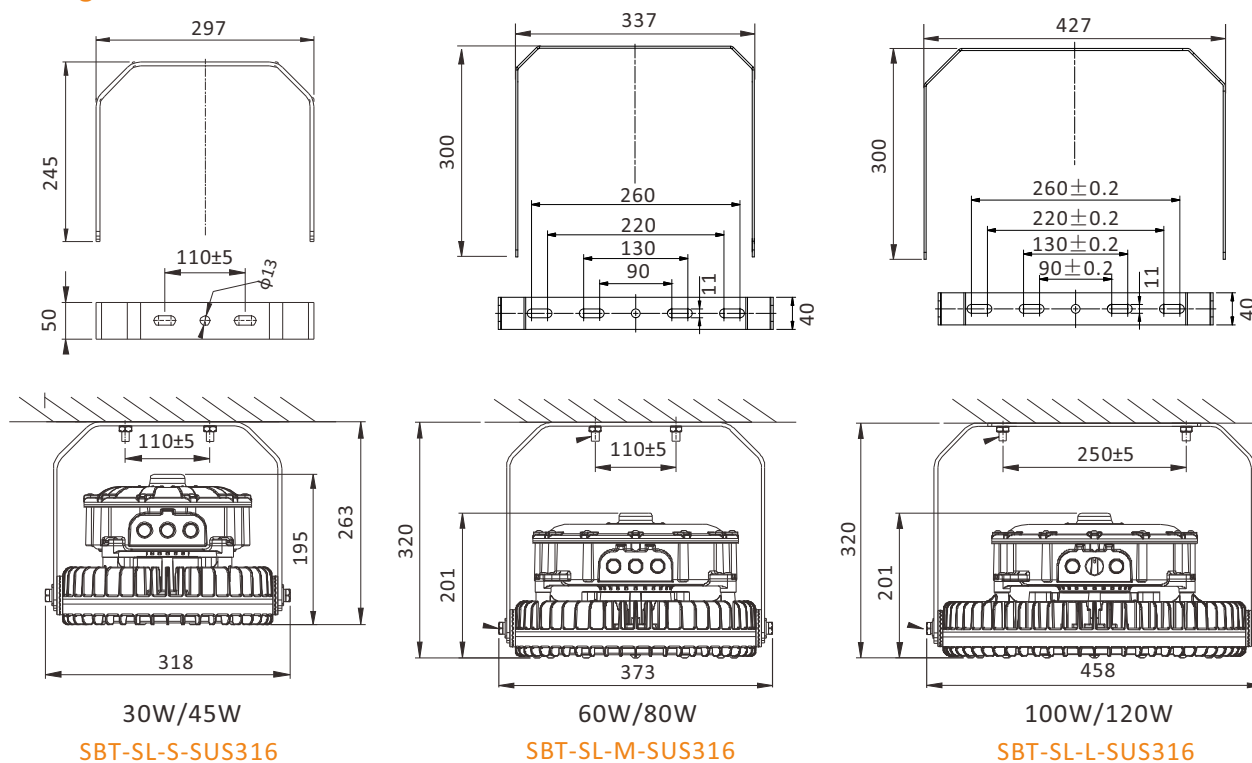
### Stanchion Mount:

(unit:mm)



### Ceiling Mount:

(unit:mm)





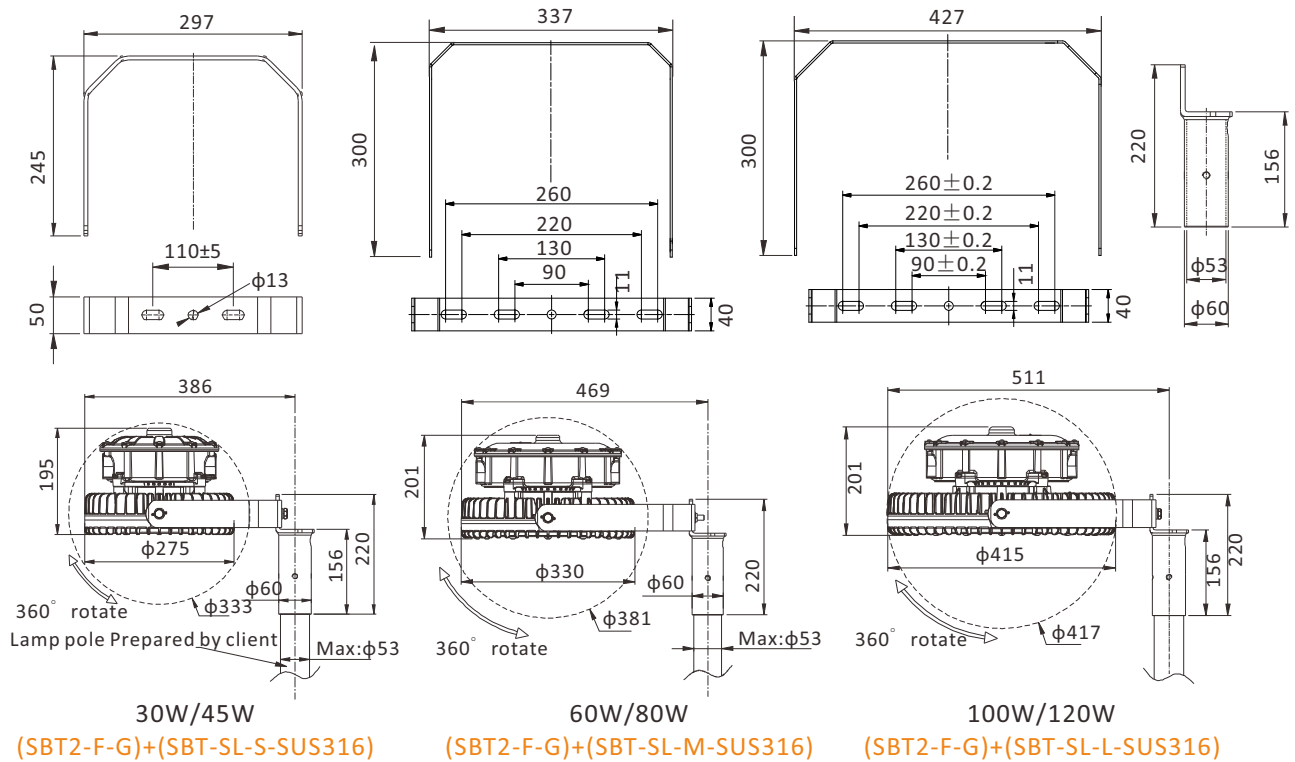
# CE RoHS

CE & RoHS Certified LED Floodlight/bay light/High bay light in Industrial Area.

## Installation Method

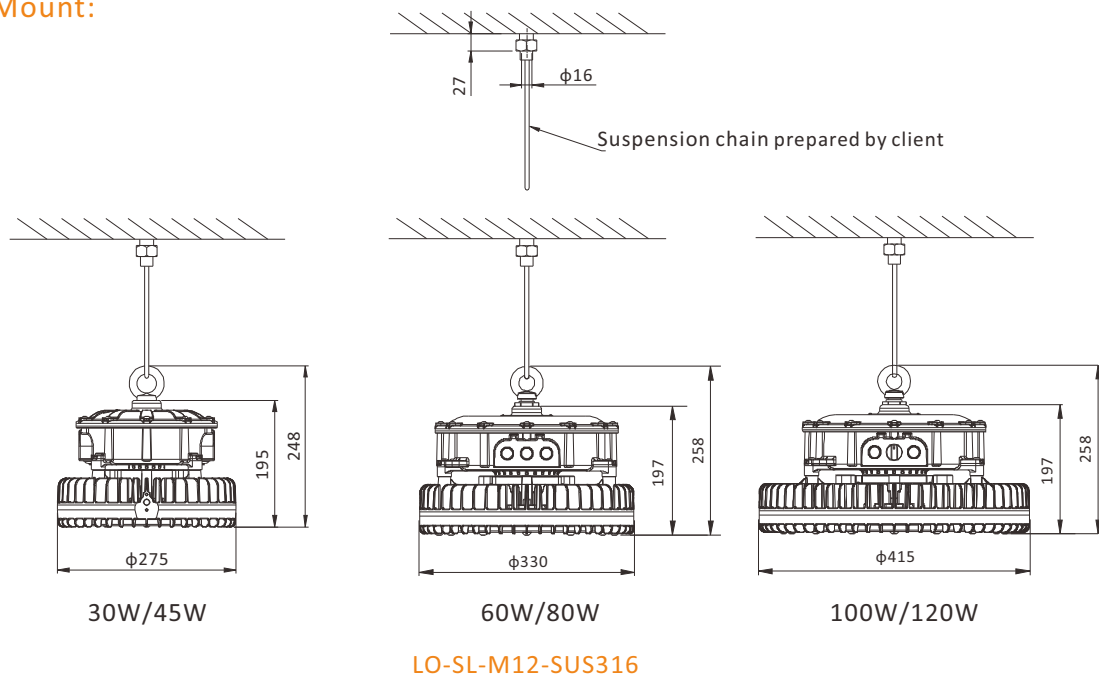
### Pole Mount:

(unit:mm)



### Pendant Mount:

(unit:mm)



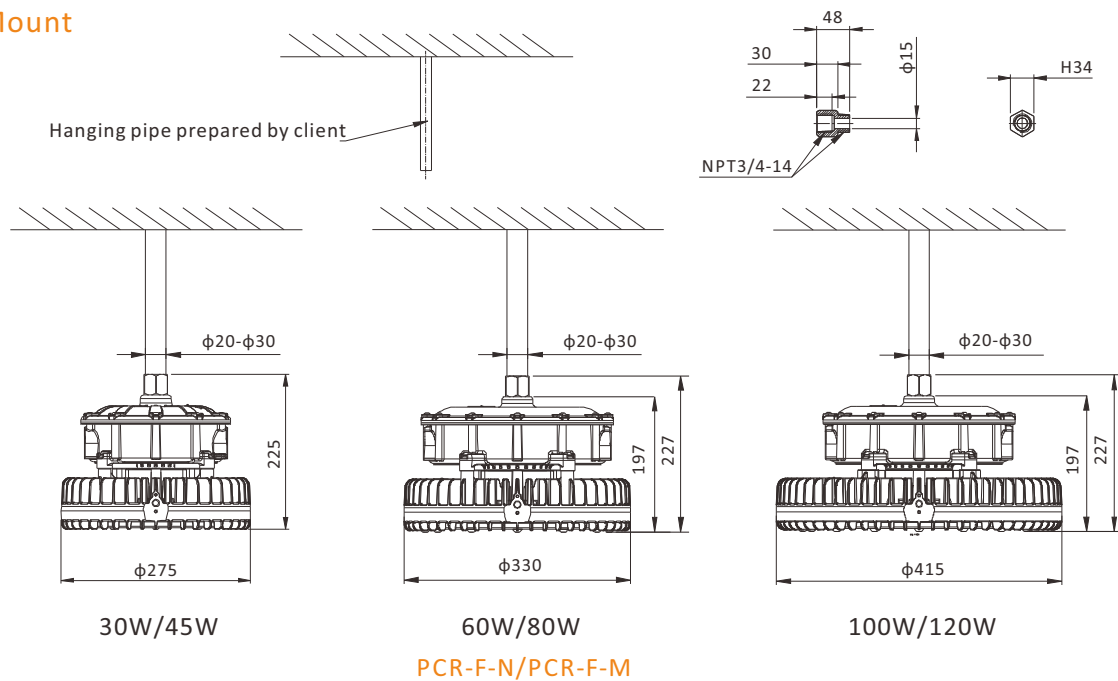
# CE RoHS

CE & RoHS Certified LED Floodlight/bay light/High bay light in Industrial Area.

## Installation Method

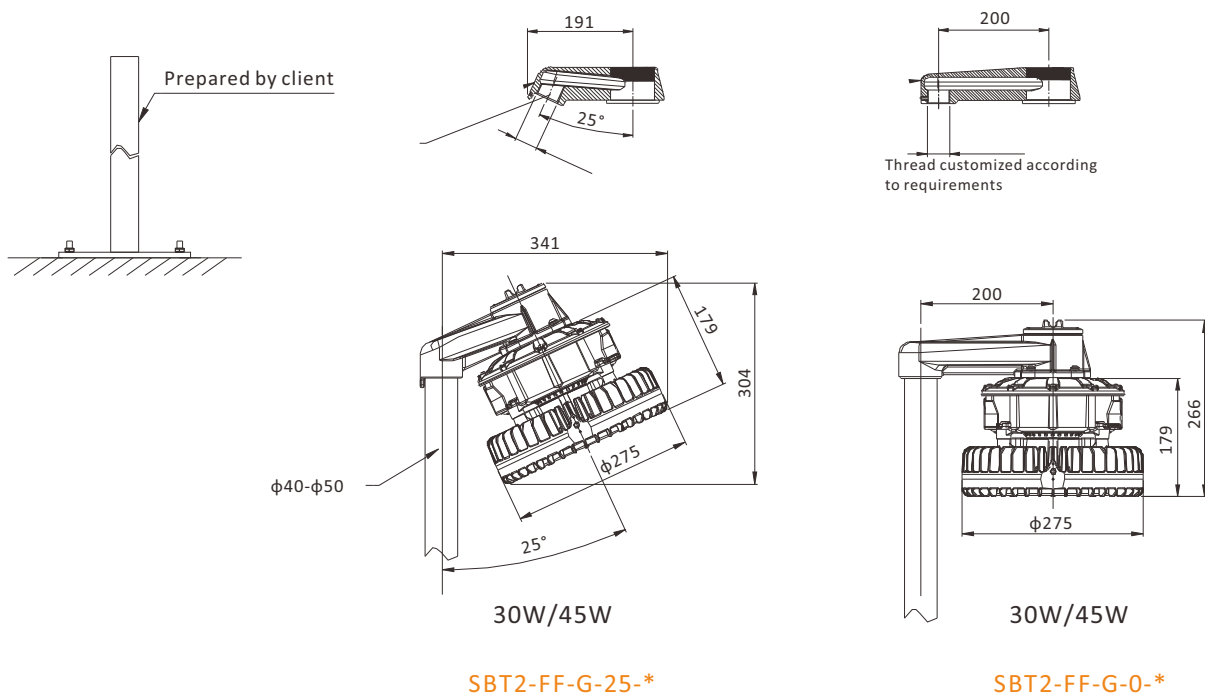
### Pipe Mount

(unit:mm)



### Pole Mount

(unit:mm)





# CE RoHS

CE & RoHS Certified LED Floodlight/bay light/High bay light in Industrial Area.

## Optional Parts

No.	Installation Accessories	Part No.	Picture	Material	Weight(Kg)	QTY	Remarks
1	Stanchion Bracket	SBT-SL-L-SUS316		SUS316	1.8	1	Ceiling Mount Stanchion Mount Wall Mount (100W/120W)
2	Stanchion Bracket	SBT-SL-M-SUS316		SUS316	1.5	1	Ceiling Mount Stanchion Mount Wall Mount (60W/80W)
3	Stanchion Bracket	SBT-SL-S-SUS316		SUS316	1.3	1	Ceiling Mount Stanchion Mount Wall Mount (30W/45W)
4	Loop	LO-SL-M12-SUS316		SUS316	0.26	1	Pendant Mount
5	Pipe Connector	PCR-F-N PCR-F-M		SUS304	0.28	1	Pipe Mount
6	25° Pole Mount Bracket	SBT2-FF-G-25-*		ADC12	1.14	1	Pole Mount (30W/45W)
7	0° Pole Mount Bracket	SBT2-FF-G-0-*		ADC12	1.34	1	Pole Mount (30W/45W)
8	Pole Mount Bracket	(SBT2-F-G) +(SBT-SL-S-SUS316)		SUS316+Q235	3.56	1	Pole Mount (30W/45W)
9	Pole Mount Bracket	(SBT2-F-G) +(SBT-SL-M-SUS316)		SUS316+Q235	3.76	1	Pole Mount (60W/80W)
10	Pole Mount Bracket	(SBT2-F-G) +(SBT-SL-L-SUS316)		SUS316+Q235	4.06	1	Pole Mount (100W/120W)