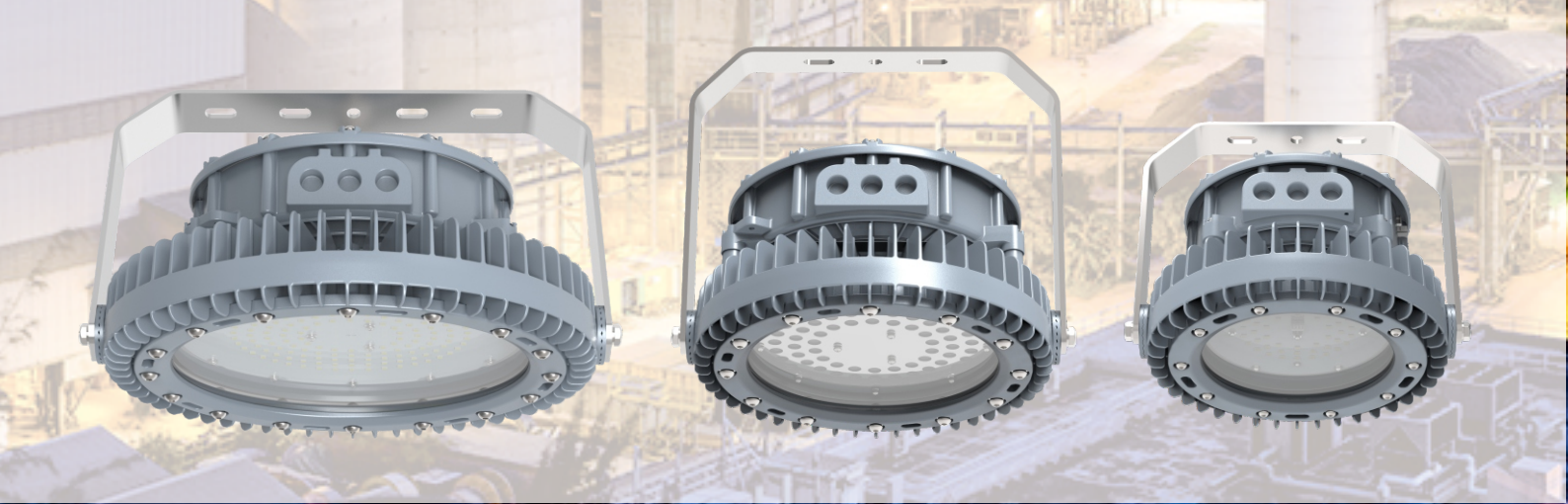




SeaLion Series



## LED Industrial Light

**CE & RoHS Certified LED Floodlight/bay light  
Emergency light in Industrial Area.  
SeaLion Series**

**CE RoHS**

[www.kjled.com](http://www.kjled.com)



## Features And Benefits:

- High efficacy LED Source with long lifespan >50,000 hours
- 3-year performance warranty
- Low THD around 10%, Less interference
- 5KV Surge Protection
- Robust aluminium housing and strong tempered glass
- Vibration and shock resistant
- Low maintenance

## Applications:



Cement plants



Warehouse



Factory



Power Generation



Power Transmission



Shipping industry

# CE RoHS

CE & RoHS Certified LED Floodlight/bay light/Emergency light in Industrial Area.

## LED Floodlight/bay light/High bay light

### Standard & Certificate:

Certificate:	<ul style="list-style-type: none"><li>• CE</li></ul>	<ul style="list-style-type: none"><li>• RoHS</li></ul>
Executive Standard:	<ul style="list-style-type: none"><li>• EN 60598-1:2015+A1:2018</li><li>• EN 60598-2-5:2015</li><li>• EN 62031:2008+A1:2013+A2:2015</li><li>• EN 62471:2008</li><li>• EN 62493:2015</li></ul>	<ul style="list-style-type: none"><li>• IEC 62321-4:2017</li><li>• IEC 62321-5:2013</li><li>• IEC 62321-6:2015</li><li>• IEC 62321-7-1:2015</li><li>• IEC 62321-7-2:2017</li><li>• IEC 62321-8:2017</li></ul>

### Electrical & Photometric Features:

Luminaire Efficacy:	136.5lm/W
Lifespan:	>50,000 hours
Operating Voltage:	220-240 VAC 311-339 VDC
Power:	Normal:30W/45W/60W/80W/100W/120W/150W/200W/240W Emergency:10W
Frequency:	50/60Hz
Power Factor:	>0.98
Battery Capacity:	9.6V 4Ah
Battery Type:	NI-MH
Battery Lifespan:	500 cycles
Light Duration:	3h
Charge Time:	>24h
THD:	<10%
Insulation Class:	I
Surge Protection:	5KV
LED Driver:	Over voltage protection/short circuit protection

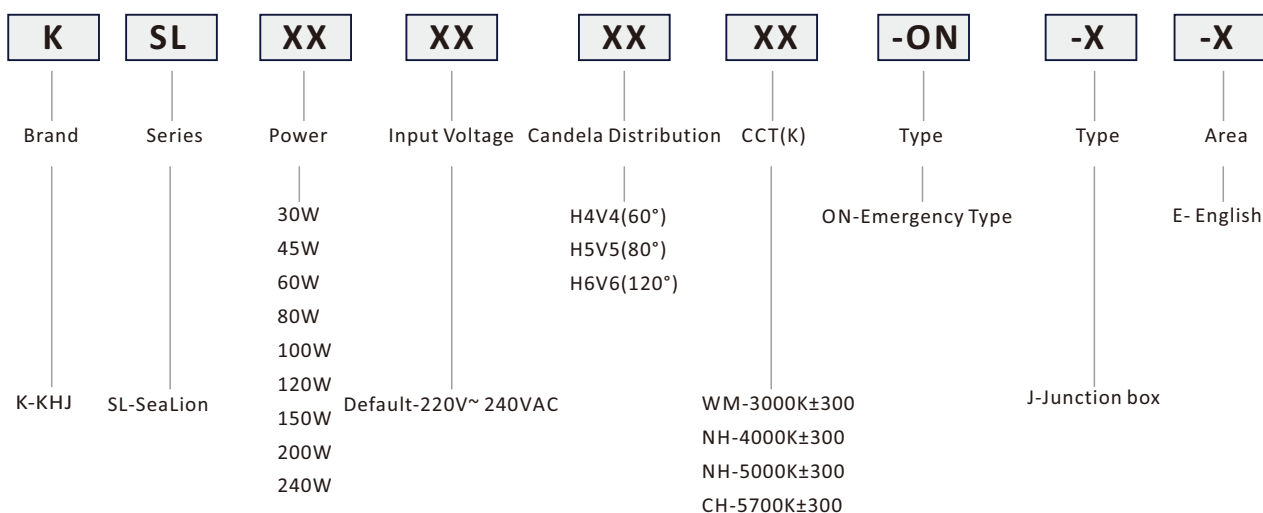
### Mechanical Features:

Weight:	9.5Kg(30-80W);12Kg(100-150W);15Kg(200-240W)
Size:	φ 275*195mm(30-80W)/φ 330*197mm(100-150W) φ 415*197mm(200-240W)
Ambient Temperature:	-20°C-+55°C
Connecting Terminals:	3*1.0-4mm <sup>2</sup> (L+N+PE)
Available cable outer diameter:	φ7-φ14(mm)
Cable Entries:	2XM25*1.5 (M20*1.5,NPT 3/4" are optional);Max 4 cable entries for optional
Earthing Protection:	M4 (Internal & external earth bolts)
IP Code:	IP66
Enclosure Material:	Die-casting aluminium alloy
Enclosure Colour:	Grey RAL7040
Coating:	Epoxy powder coating
Exposed Fastener:	Stainless steel
Protective Cover:	Tempered glass,Stand 7J impact

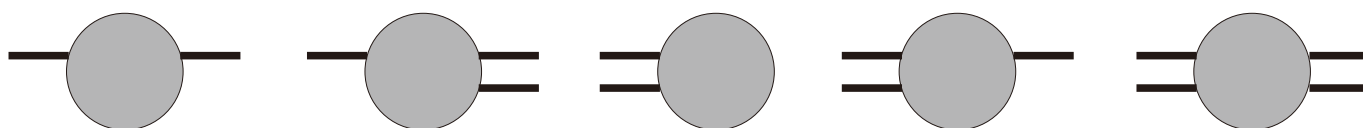
# CE RoHS

CE & RoHS Certified LED Floodlight/bay light/Emergency light in Industrial Area.

## Production Definition



## Entry Type



Remark: 100~240W is only available with the cable entry at one side

## Ordering Information

P/N	Operating Voltage	Luminous Flux(lm)		Power		CRI	Color temp.	CCT(K)
		Normal	Emergency	Normal	Emergency			
KSL30*WM-ON-J-E	220~240VAC (311~339 VDC)	3795	1265	30	10	70	Warm white	3000±300
KSL30*NH-ON-J-E		4095	1365	30	10	70	Natural white	4000±300
KSL30*NH-ON-J-E		4095	1365	30	10	70	Natural white	5000±300
KSL30*CH-ON-J-E		4095	1365	30	10	70	Cool white	5700±300
KSL45*WM-ON-J-E		5693	1265	45	10	70	Warm white	3000±300
KSL45*NH-ON-J-E		6143	1365	45	10	70	Natural white	4000±300
KSL45*NH-ON-J-E		6143	1365	45	10	70	Natural white	5000±300
KSL45*CH-ON-J-E		6143	1365	45	10	70	Cool white	5700±300
KSL60*WM-ON-J-E		7590	1265	60	10	70	Warm white	3000±300
KSL60*NH-ON-J-E		8190	1365	60	10	70	Natural white	4000±300
KSL60*NH-ON-J-E		8190	1365	60	10	70	Natural white	5000±300
KSL60*CH-ON-J-E		8190	1365	60	10	70	Cool white	5700±300
KSL80*WM-ON-J-E		10120	1265	80	10	70	Warm white	3000±300
KSL80*NH-ON-J-E		10920	1365	80	10	70	Natural white	4000±300
KSL80*NH-ON-J-E		10920	1365	80	10	70	Natural white	5000±300
KSL80*CH-ON-J-E		10920	1365	80	10	70	Cool white	5700±300

# CE RoHS

CE & RoHS Certified LED Floodlight/bay light/Emergency light in Industrial Area.

## Ordering Information

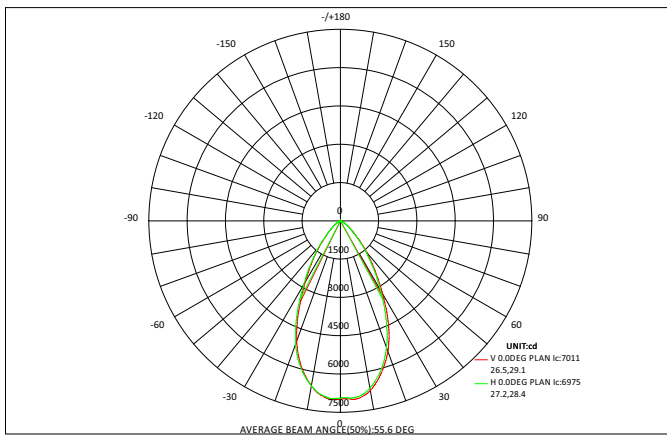
P/N	Operating Voltage	Luminous Flux(lm)		Power		CRI	Color temp.	CCT(K)
		Normal	Emergency	Normal	Emergency			
KSL100*WM-ON-J-E	100~277 VAC (141~392 VDC)	12650	1265	100	10	70	Warm white	3000±300
KSL100*NH-ON-J-E		13650	1365	100	10	70	Natural white	4000±300
KSL100*NH-ON-J-E		13650	1365	100	10	70	Natural white	5000±300
KSL100*CH-ON-J-E		13650	1365	100	10	70	Cool white	5700±300
KSL120*WM-ON-J-E		15180	1265	120	10	70	Warm white	3000±300
KSL120*NH-ON-J-E		16380	1365	120	10	70	Natural white	4000±300
KSL120*NH-ON-J-E		16380	1365	120	10	70	Natural white	5000±300
KSL120*CH-ON-J-E		16380	1365	120	10	70	Cool white	5700±300
KSL150*WM-ON-J-E		18975	1265	150	10	70	Warm white	3000±300
KSL150*NH-ON-J-E		20475	1365	150	10	70	Natural white	4000±300
KSL150*NH-ON-J-E		20475	1365	150	10	70	Natural white	5000±300
KSL150*CH-ON-J-E		20475	1365	150	10	70	Cool white	5700±300
KSL200*WM-ON-J-E		25300	1265	200	10	70	Warm white	3000±300
KSL200*NH-ON-J-E		27300	1365	200	10	70	Natural white	4000±300
KSL200*NH-ON-J-E		27300	1365	200	10	70	Natural white	5000±300
KSL200*CH-ON-J-E		27300	1365	200	10	70	Cool white	5700±300
KSL240*WM-ON-J-E		30360	1265	240	10	70	Warm white	3000±300
KSL240*NH-ON-J-E		32760	1365	240	10	70	Natural white	4000±300
KSL240*NH-ON-J-E		32760	1365	240	10	70	Natural white	5000±300
KSL240*CH-ON-J-E		32760	1365	240	10	70	Cool white	5700±300

Remarks: 1.\*Stands for beam angle , including H4V4 / H5V5 / H6V6 .  
2.For beam angle H4V4 and H5V5,the luminous flux will be 15% less;

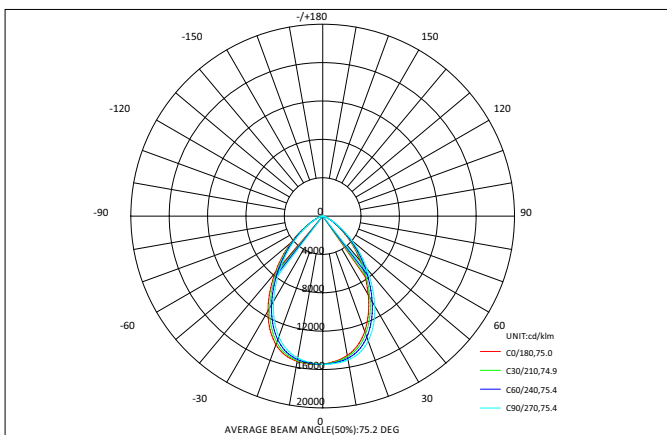
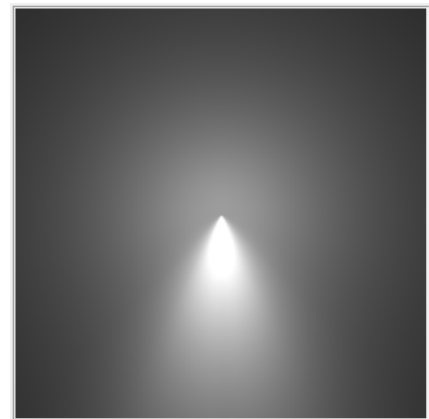
# CE RoHS

CE & RoHS Certified LED Floodlight/bay light/Emergency light in Industrial Area.

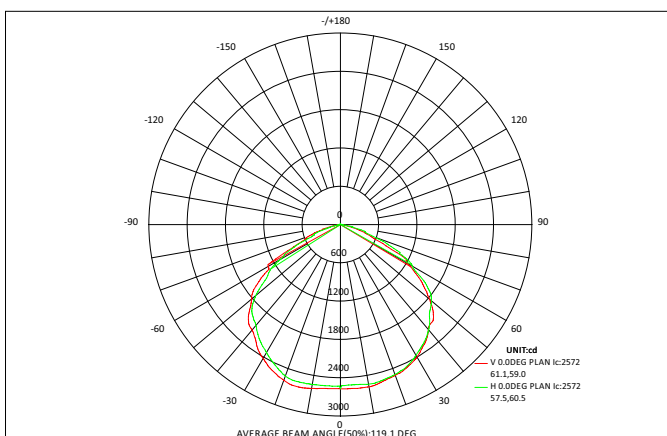
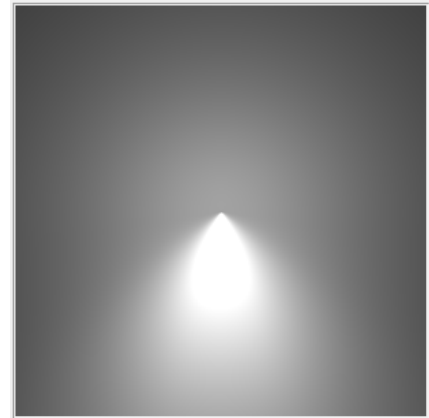
## Candela Distribution



H4V4(60°)/High Efficacy LED Source



H5V5(80°)/High Efficacy LED Source



H6V6(120°)/High Efficacy LED Source



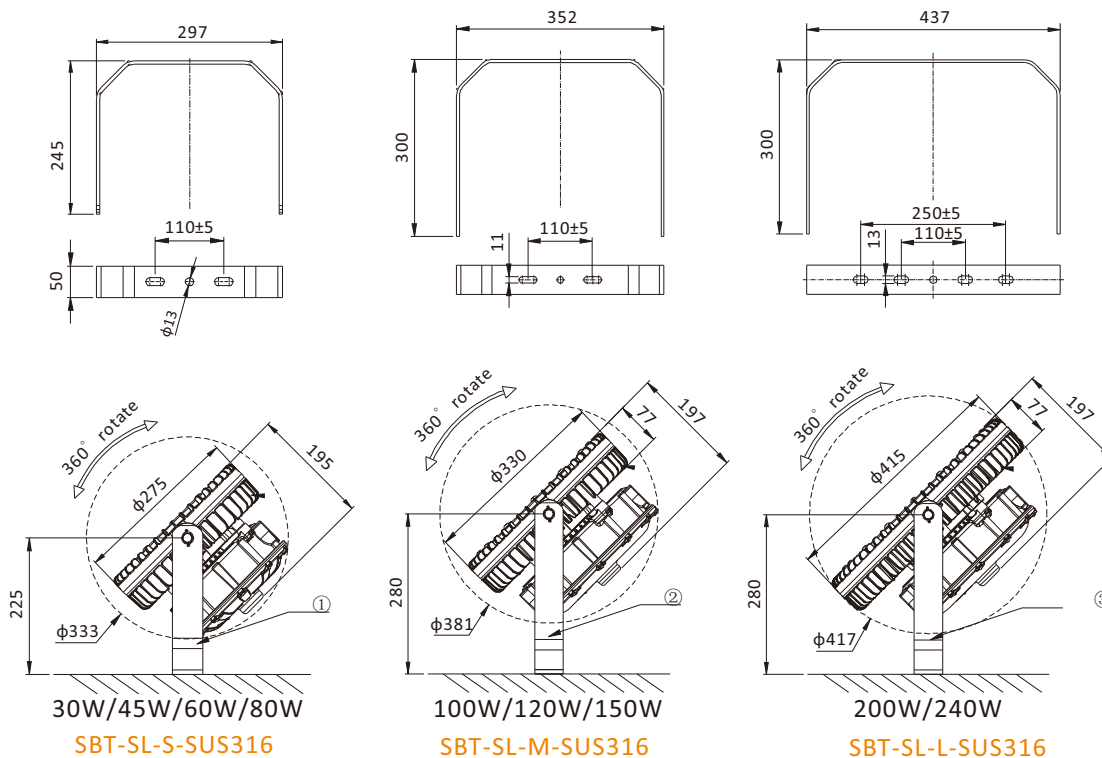
# CE RoHS

CE & RoHS Certified LED Floodlight/bay light/Emergency light in Industrial Area.

## Installation Method

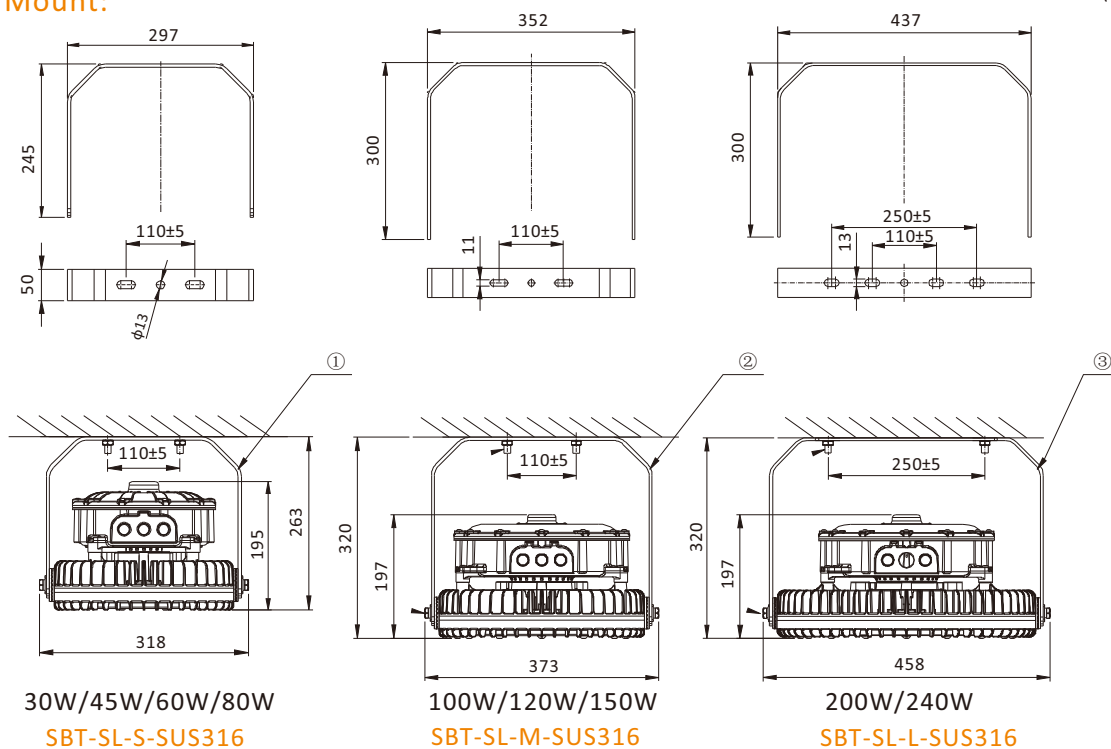
### Stanchion Mount:

(unit:mm)



### Ceiling Mount:

(unit:mm)



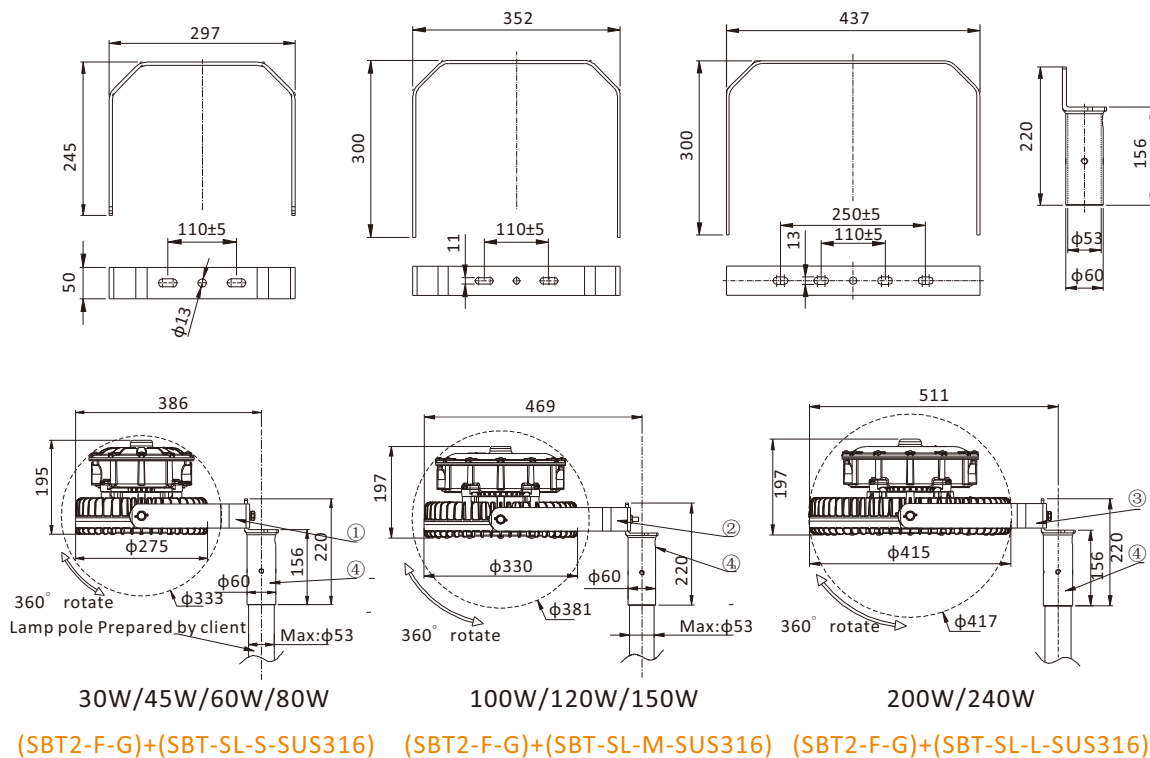
# CE RoHS

CE & RoHS Certified LED Floodlight/bay light/Emergency light in Industrial Area.

## Installation Method

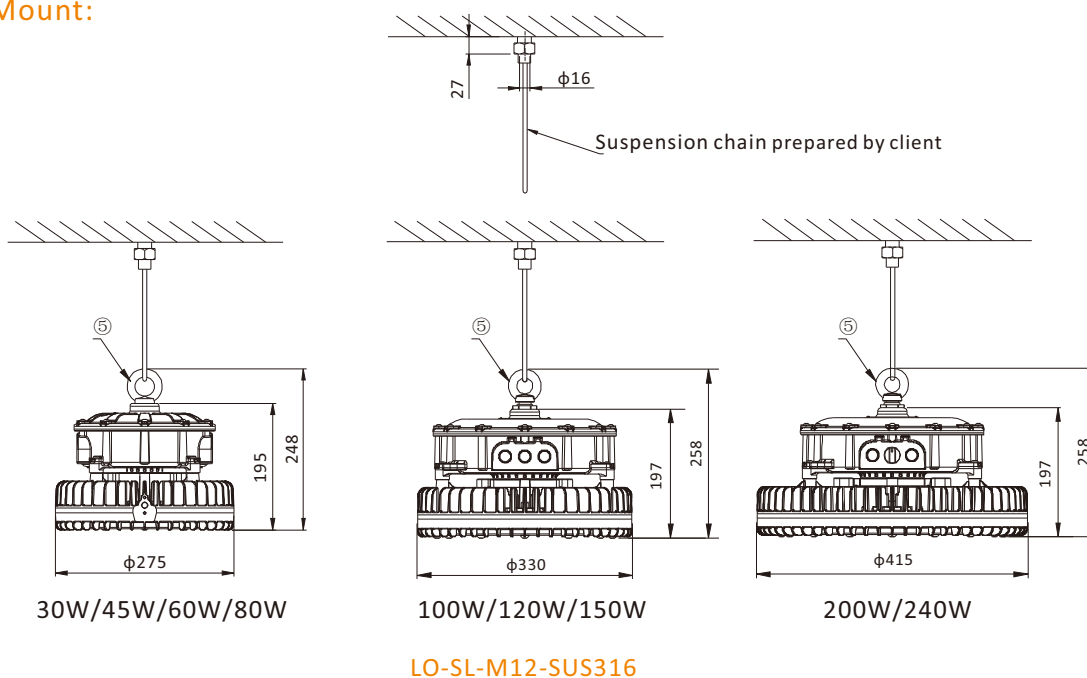
### Pole Mount:

(unit:mm)



### Pendant Mount:

(unit:mm)





# CE RoHS

CE & RoHS Certified LED Floodlight/bay light/Emergency light in Industrial Area.

## Optional Parts

No.	Installation Accessories	Part No.	Picture	Material	Weight(Kg)	QTY	Remarks
1	Stanchion Bracket	SBT-SL-S-SUS316		SUS316	1.3	1	Ceiling Mount Stanchion Mount Wall Mount (30W/45W/60W/80W)
2	Stanchion Bracket	SBT-SL-M-SUS316		SUS316	1.5	1	Ceiling Mount Stanchion Mount Wall Mount (100W/120W/150W)
3	Stanchion Bracket	SBT-SL-L-SUS316		SUS316	1.8	1	Ceiling Mount Stanchion Mount Wall Mount (200W/240W)
4	Loop	LO-SL-M12-SUS316		SUS316	0.26	1	Pendant Mount
5	Pole Mount Bracket	(SBT2-F-G) +(SBT-SL-S-SUS316)		SUS316+Q235	3.56	1	Pole Mount (30W/45W/60W/80W)
6	Pole Mount Bracket	(SBT2-F-G) /(SBT-SL-M-SUS316)		SUS316+Q235	3.76	1	Pole Mount (100W/120W/150W)
7	Pole Mount Bracket	(SBT2-F-G) +(SBT-SL-L-SUS316)		SUS316+Q235	4.06	1	Pole Mount (200W/240W)