

LED Explosion Proof Light

**ATEX & IECEx Certified LED Floodlight/bay light/Emergency light
in Hazardous Area.**

SeaLion Series

⚡ II2 G Ex db IIC T5 Gb

⚡ II2 D Ex tb IIIC T95°C Db IP66





Features And Benefits:

- High efficacy LED Source with long lifespan >50,000 hours
- 3-year performance warranty
- Low THD around 10%, Less interference
- 5KV Surge Protection
- Robust aluminium housing and strong tempered glass
- Vibration and shock resistant
- Low maintenance

Applications:



Oil & Gas Exploration



Drilling



Oil Refinery



Petrochemical Plant



Power Plant



Pharmaceutical Plant



ATEX & IECEx Certified LED Floodlight/bay light/Emergency light in Hazardous Area.

LED Floodlight/bay light/High bay light

Standard & Certificate:

Ex Mark:	Gas: ⚠ II2 G Ex db IIC T5 Gb Dust: ⚠ II2 D Ex tb IIIC T95°C Db IP66
Certificate:	<ul style="list-style-type: none"> • ATEX Certification NO.: TÜV 20 ATEX 8608 X • CE • IECEx Certification NO.: IECEx TUR 20.0086X • RoHS
Executive Standard:	<ul style="list-style-type: none"> • (IEC)EN 60079-0,(IEC)EN 60079-18,(IEC)EN 60079-1, • (IEC)EN 60079-31,(IEC)EN 60079-7 • EN 55015,EN 61000-3-3,EN 61547,EN 61000-3-2 • EN 60598-1,EN 62493,EN 60598-2-5,EN 62031 • IEC 62321-4,IEC 62321-7-1,IEC 62321-5,IEC 62321-7-2 • IEC 62321-6,IEC 62321-8
Classification:	Group II, Zone 1 & 21 and 2 & 22

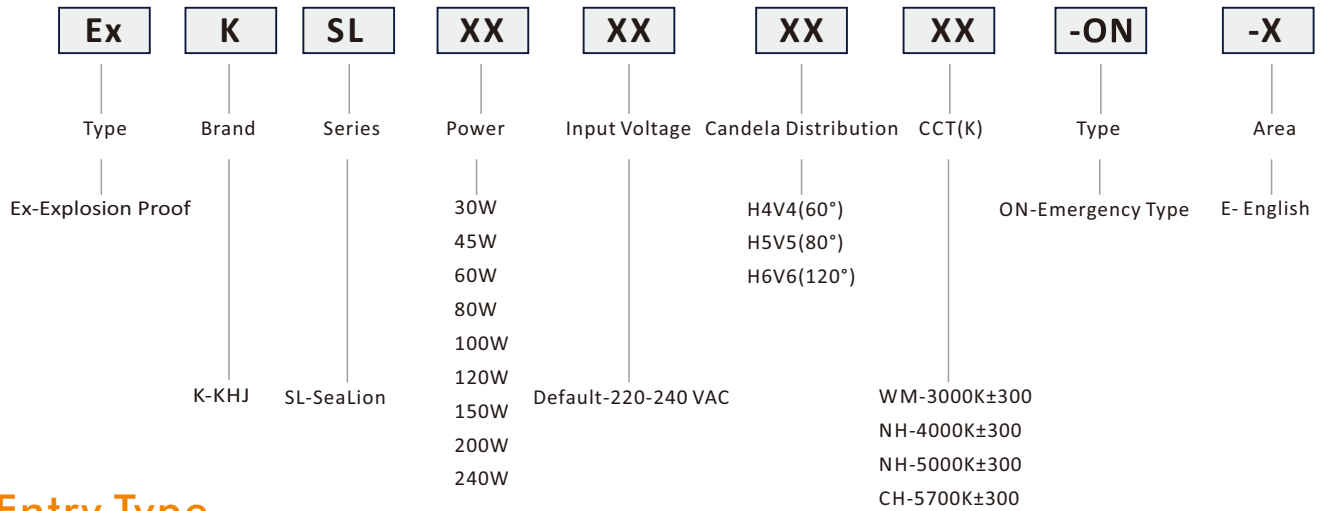
Electrical & Photometric Features:

Luminaire Efficacy:	136.5lm/W
Lifespan:	>50,000 hours
Operating Voltage:	220-240 VAC 311-339 VDC
Power:	Normal:30W/45W/60W/80W/100W/120W/150W/200W/240W Emergency:10W
Frequency:	50/60Hz
Power Factor:	>0.98
Battery Capacity:	9.6V 4Ah
Battery Type:	NI-MH
Battery Lifespan:	500 cycles
Light Duration:	3h
Charge Time:	>24h
THD:	<10%
Insulation Class:	I
Surge Protection:	4KV/6KV
LED Driver:	Over voltage protection/short circuit protection

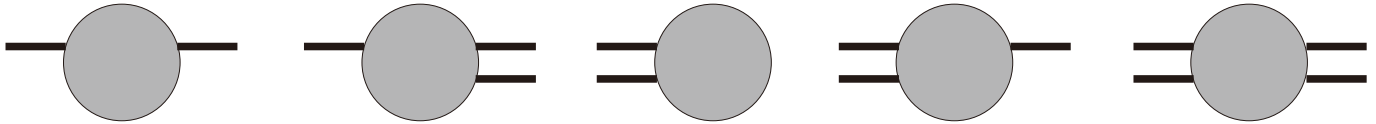
Mechanical Features:

Weight:	9.5Kg(30-80W);12Kg(100-150W);15Kg(200-240W)
Size:	ϕ 275*195mm(30-80W)/ϕ 330*197mm(100-150W) ϕ 415*197mm(200-240W)
Ambient Temperature:	-20°C-+55°C
Connecting Terminals:	3*1.0-4mm ² (L+N+PE)
Cable Entries:	2XNPT 3/4" (M20*1.5, M25*1.5 are optional)
Earthing Protection:	M4 (Internal & external earth bolts)
IP Code:	IP66
Enclosure Material:	Die-casting aluminium alloy
Enclosure Colour:	Grey RAL7040
Coating:	Epoxy powder coating
Exposed Fastener:	Stainless steel
Protective Cover:	Tempered glass,Stand 7J impact

Production Definition



Entry Type



Remark: 100W~240W is only available with the cable entry at one side

Ordering Information

P/N	Operating Voltage	Luminous Flux(lm)		Power		CRI	Color temp.	CCT(K)	Temp. Classification
		Normal	Emergency	Normal	Emergency				-20°C~+55°C
Ex-KSL30*WM-ON-E	220-240 VAC (311-339 VDC)	3795	1265	30	10	70	Warm white	3000±300	T5
Ex-KSL30*NH-ON-E		4095	1365	30	10	70	Natural white	4000±300	T5
Ex-KSL30*NH-ON-E		4095	1365	30	10	70	Natural white	5000±300	T5
Ex-KSL30*CH-ON-E		4095	1365	30	10	70	Cool white	5700±300	T5
Ex-KSL45*WM-ON-E		5693	1265	45	10	70	Warm white	3000±300	T5
Ex-KSL45*NH-ON-E		6143	1365	45	10	70	Natural white	4000±300	T5
Ex-KSL45*NH-ON-E		6143	1365	45	10	70	Natural white	5000±300	T5
Ex-KSL45*CH-ON-E		6143	1365	45	10	70	Cool white	5700±300	T5
Ex-KSL60*WM-ON-E		7590	1265	60	10	70	Warm white	3000±300	T5
Ex-KSL60*NH-ON-E		8190	1365	60	10	70	Natural white	4000±300	T5
Ex-KSL60*NH-ON-E		8190	1365	60	10	70	Natural white	5000±300	T5
Ex-KSL60*CH-ON-E		8190	1365	60	10	70	Cool white	5700±300	T5
Ex-KSL80*WM-ON-E		10120	1265	80	10	70	Warm white	3000±300	T5
Ex-KSL80*NH-ON-E		10920	1365	80	10	70	Natural white	4000±300	T5
Ex-KSL80*NH-ON-E		10920	1365	80	10	70	Natural white	5000±300	T5
Ex-KSL80*CH-ON-E		10920	1365	80	10	70	Cool white	5700±300	T5



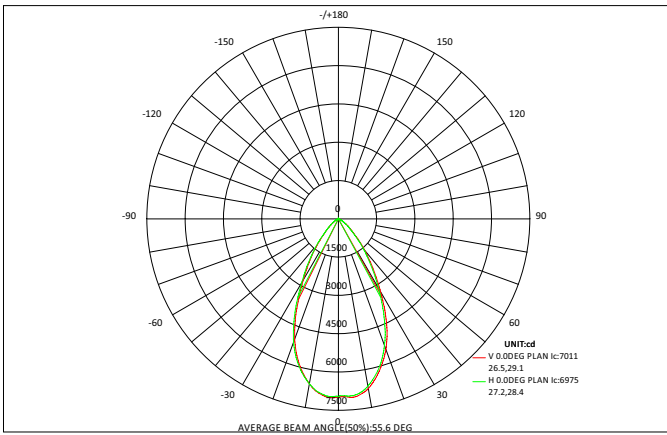
ATEX & IECEx Certified LED Floodlight/bay light/Emergency light in Hazardous Area.

Ordering Information

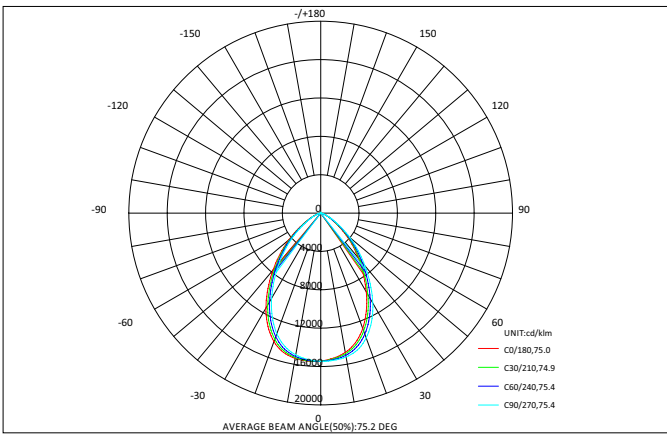
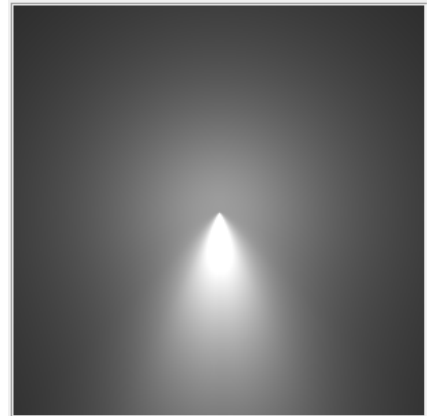
P/N	Operating Voltage	Luminous Flux(lm)		Power		CRI	Color temp.	CCT(K)	Temp. Classification
		Normal	Emergency	Normal	Emergency				-20°C-+55°C
Ex-KSL100*WM-ON-E	220-240 VAC (311-339 VDC)	12650	1265	100	10	70	Warm white	3000±300	T5
Ex-KSL100*NH-ON-E		13650	1365	100	10	70	Natural white	4000±300	T5
Ex-KSL100*NH-ON-E		13650	1365	100	10	70	Natural white	5000±300	T5
Ex-KSL100*CH-ON-E		13650	1365	100	10	70	Cool white	5700±300	T5
Ex-KSL120*WM-ON-E		15180	1265	120	10	70	Warm white	3000±300	T5
Ex-KSL120*NH-ON-E		16380	1365	120	10	70	Natural white	4000±300	T5
Ex-KSL120*NH-ON-E		16380	1365	120	10	70	Natural white	5000±300	T5
Ex-KSL120*CH-ON-E		16380	1365	120	10	70	Cool white	5700±300	T5
Ex-KSL150*WM-ON-E		18975	1265	150	10	70	Warm white	3000±300	T5
Ex-KSL150*NH-ON-E		20475	1365	150	10	70	Natural white	4000±300	T5
Ex-KSL150*NH-ON-E		20475	1365	150	10	70	Natural white	5000±300	T5
Ex-KSL150*CH-ON-E		20475	1365	150	10	70	Cool white	5700±300	T5
Ex-KSL200*WM-ON-E		25300	1265	200	10	70	Warm white	3000±300	T5
Ex-KSL200*NH-ON-E		27300	1365	200	10	70	Natural white	4000±300	T5
Ex-KSL200*NH-ON-E		27300	1365	200	10	70	Natural white	5000±300	T5
Ex-KSL200*CH-ON-E		27300	1365	200	10	70	Cool white	5700±300	T5
Ex-KSL240*WM-ON-E		30360	1265	240	10	70	Warm white	3000±300	T5
Ex-KSL240*NH-ON-E		32760	1365	240	10	70	Natural white	4000±300	T5
Ex-KSL240*NH-ON-E		32760	1365	240	10	70	Natural white	5000±300	T5
Ex-KSL240*CH-ON-E		32760	1365	240	10	70	Cool white	5700±300	T5

Remarks: 1.*Stands for beam angle , including H4V4 / H5V5 / H6V6 .
2.For beam angle H4V4 and H5V5,the luminous flux will be 15% less;

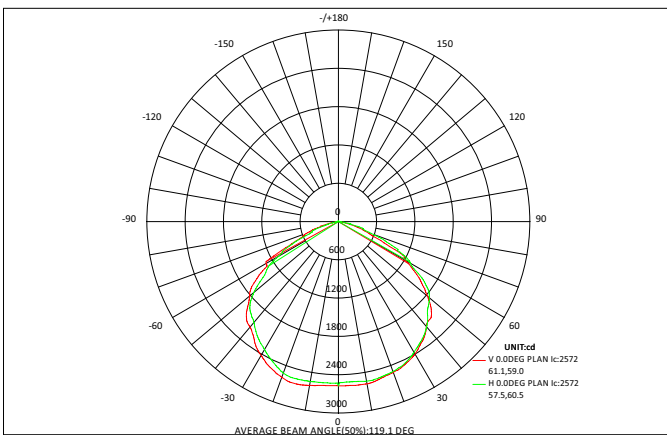
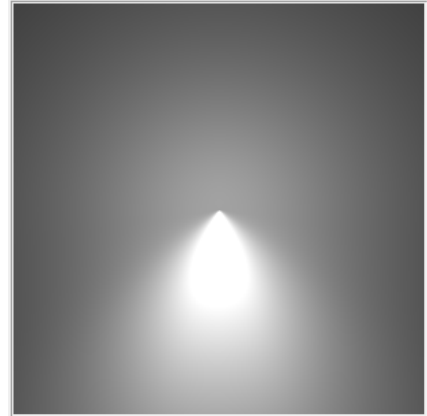
Candela Distribution



H4V4(60°)/High Efficacy LED Source



H5V5(80°)/High Efficacy LED Source



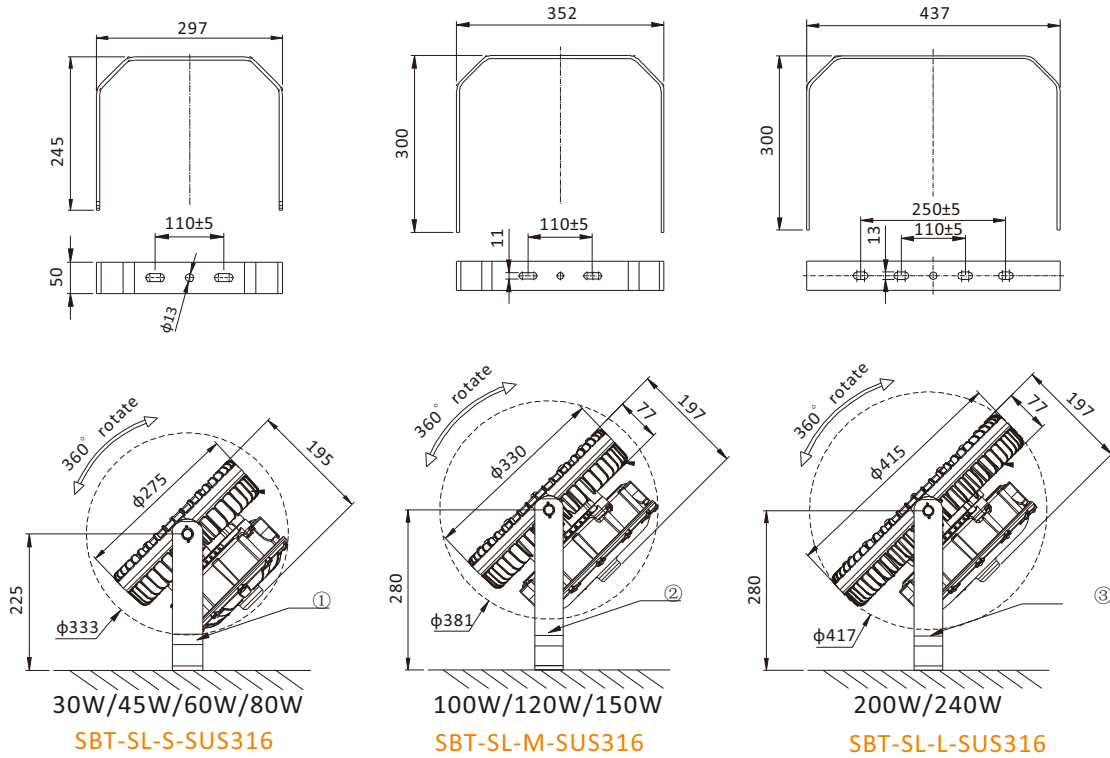
H6V6(120°)/High Efficacy LED Source



Installation Method

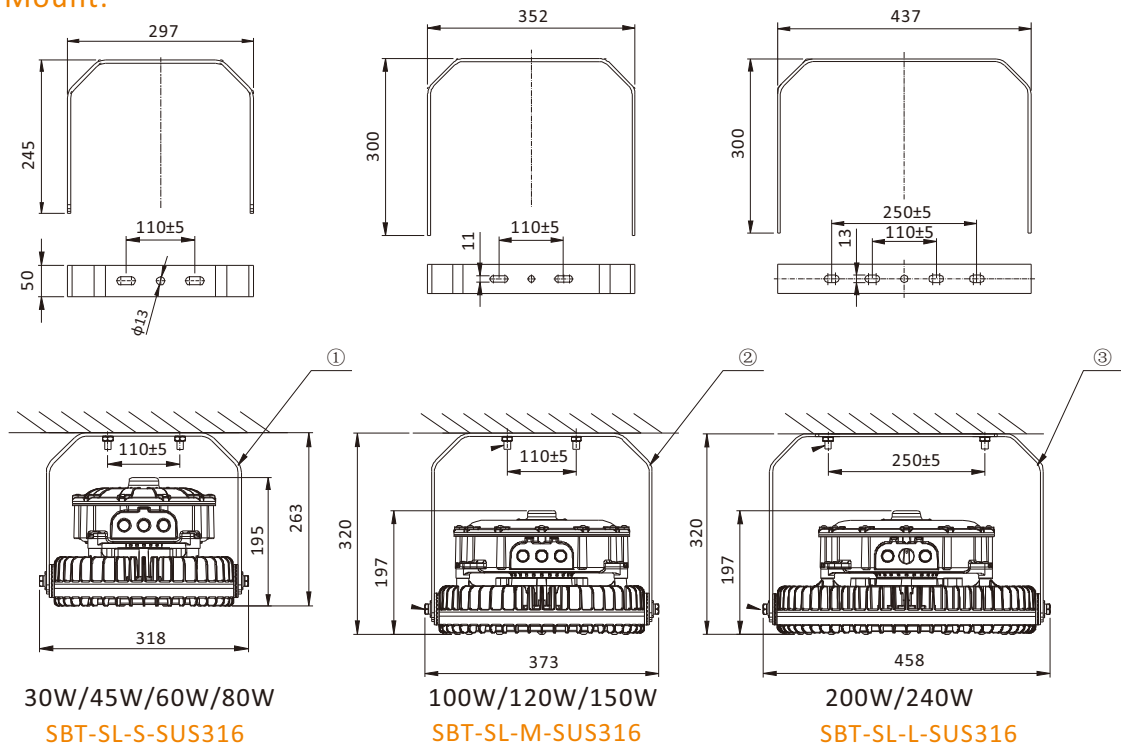
Stanchion Mount:

(unit:mm)



Ceiling Mount:

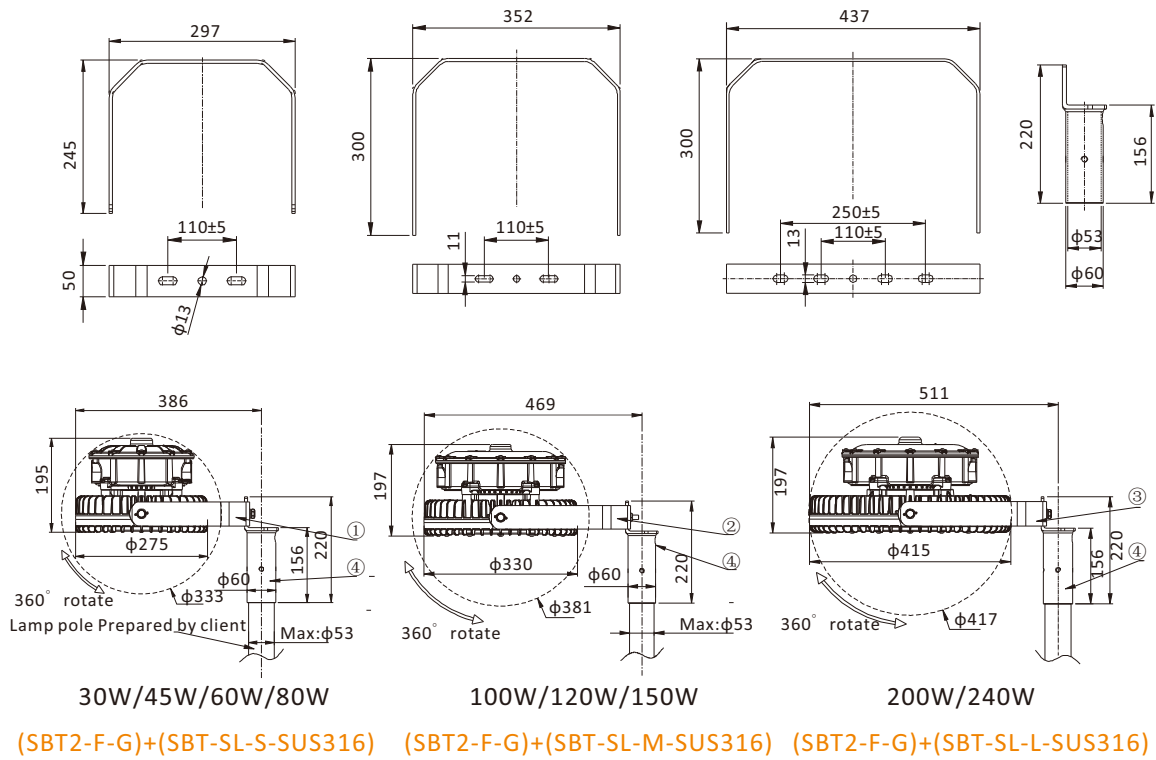
(unit:mm)



Installation Method

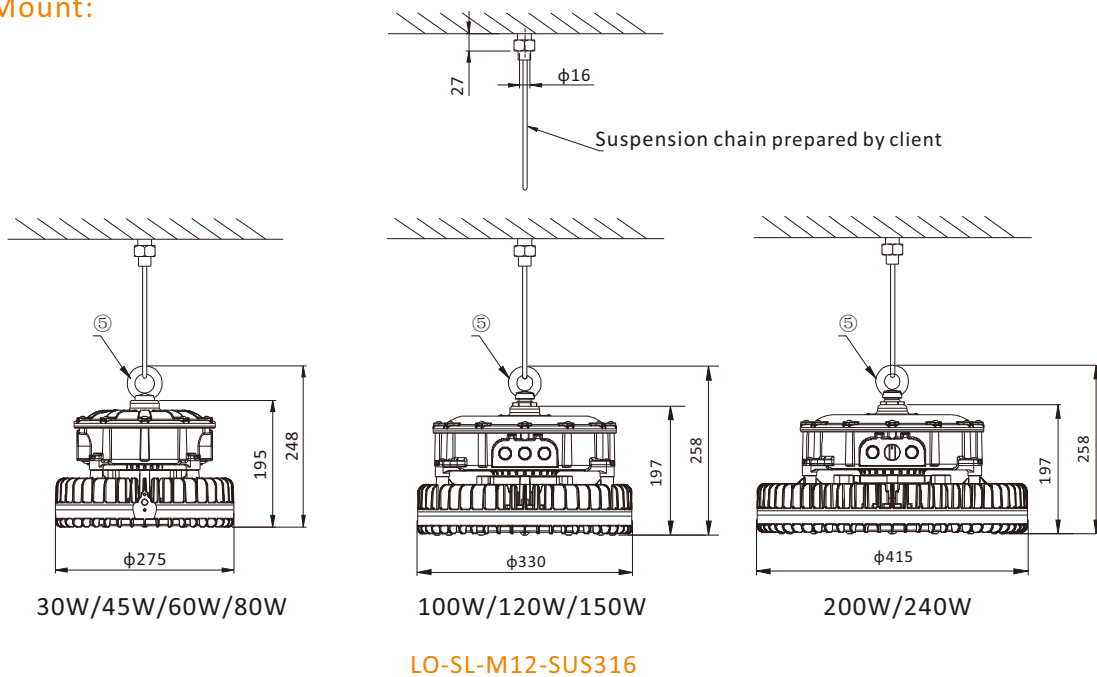
Pole Mount:

(unit:mm)



Pendant Mount:

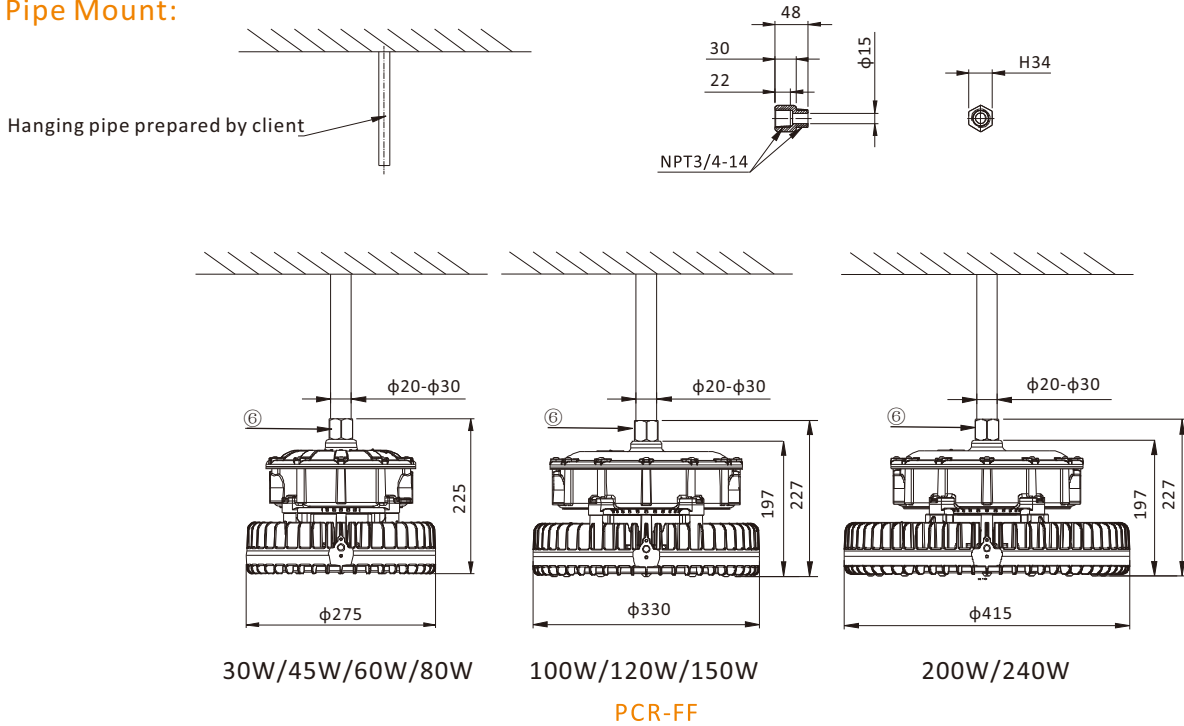
(unit:mm)



Installation Method

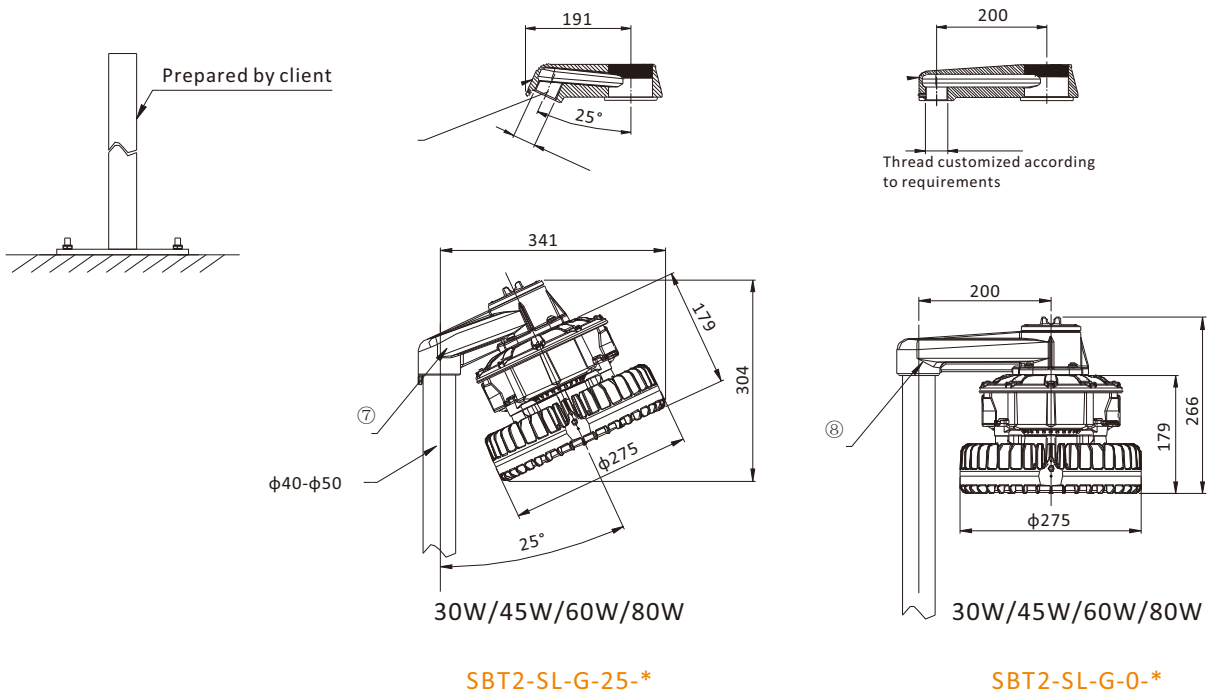
Pipe Mount:

(unit:mm)



Pole Mount:

(unit:mm)



Optional Parts

No.	Installation Accessories	Part No.	Picture	Material	Weight(Kg)	QTY	Remarks
1	Stanchion Bracket	SBT-SL-S-SUS316		SUS316	1.3	1	Ceiling Mount Stanchion Mount Wall Mount (30W/45W/60W/80W)
2	Stanchion Bracket	SBT-SL-M-SUS316		SUS316	1.5	1	Ceiling Mount Stanchion Mount Wall Mount (100W/120W/150W)
3	Stanchion Bracket	SBT-SL-L-SUS316		SUS316	1.8	1	Ceiling Mount Stanchion Mount Wall Mount (200W/240W)
4	Loop	LO-SL-M12-SUS316		SUS316	0.26	1	Pendant Mount
5	Pipe Connector	PCR-FF-N PCR-FF-M		SUS304	0.28	1	Pipe Mount
6	25° Pole Mount Bracket	SBT2-SL-G-25-*		ADC12	1.14	1	Pole Mount (30W/45W/60W/80W)
7	0° Pole Mount Bracket	SBT2-SL-G-0-*		ADC12	1.34	1	Pole Mount (30W/45W/60W/80W)
8	Pole Mount Bracket	(SBT2-F-G) +(SBT-SL-S-SUS316)		SUS316+Q235	3.56	1	Pole Mount (30W/45W/60W/80W)
9	Pole Mount Bracket	(SBT2-F-G) /(SBT-SL-M-SUS316)		SUS316+Q235	3.76	1	Pole Mount (100W/120W/150W)
10	Pole Mount Bracket	(SBT2-F-G) +(SBT-SL-L-SUS316)		SUS316+Q235	4.06	1	Pole Mount (200W/240W)