



LED Industrial Light

**CE & RoHS Certified LED bay light/High bay light in Industrial Area.
SeaAnemone Series**

CE RoHS

www.khjled.com



Features And Benefits:

- High efficacy LED Source with long lifespan >50,000 hours
- 5-year performance warranty
- Low THD around 10%, Less interference
- L-N 4K/LN-PE 6K Surge Protection
- Robust aluminium housing and strong tempered glass
- Vibration and shock resistant
- Low maintenance

Applications:



Cement plants



Warehouse



Factory



Power Generation



Power Transmission



Shipping industry

CE RoHS

CE & RoHS Certified LED bay light/High bay light in Industrial Area.

LED Floodlight/bay light/High bay light

Standard & Certificate:

Certificate:	<ul style="list-style-type: none">• CE	<ul style="list-style-type: none">• RoHS
Executive Standard:	<ul style="list-style-type: none">• EN 55015:2013+A1:2015• EN 61547:2009• EN 61000-3-2:2014• EN 61000-3-3:2013• EN 60598-1:2015	<ul style="list-style-type: none">• EN 60598-2-1:1989• IEC 62321-4:2013• IEC 62321-5:2013• IEC 62321-6:2015• IEC 62321-7-1:2015

Electrical & Photometric Features:

Luminaire Efficacy:	110lm/W
Lifespan:	>50,000 hours
Operating Voltage:	100-277 VAC 141-392 VDC
Power:	360W/480W/720W
Frequency:	50/60Hz
Power Factor:	>0.98
THD:	<10%
Insulation Class:	I
Surge Protection:	L-N 4K/LN-PE 6K
LED Driver:	Over voltage protection/short circuit protection

Mechanical Features:

Weight:	24Kg(360W/480W);27Kg(720W)
Size:	φ 580*210mm
Ambient Temperature:	-40°C-+55°C
Connecting Terminals:	3*2.0mm ² (L+N+PE)
Cable Entries:	1XM16*1.5
Earthing Protection:	M4 (Internal & external earth bolts)
IP Code:	IP66
Enclosure Material:	Die-casting aluminium alloy
Enclosure Colour:	Grey RAL7040
Coating:	Epoxy powder coating
Exposed Fastener:	Stainless steel
Protective Cover:	Tempered glass,Stand 7J impact

CE RoHS

CE & RoHS Certified LED bay light/High bay light in Industrial Area.

Production Definition

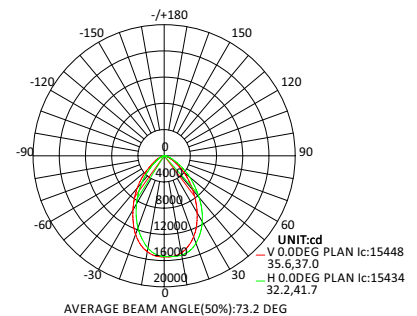
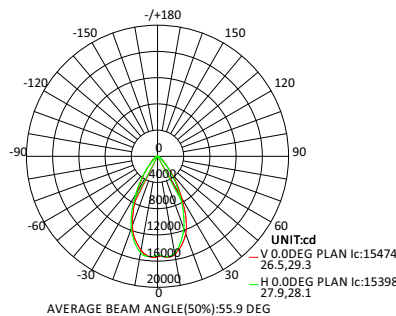
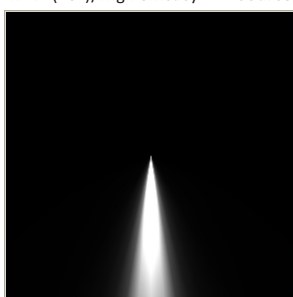
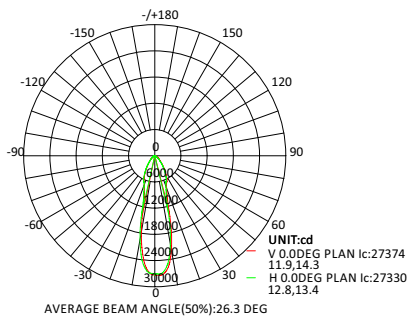
K	SL	XX	XX	XX	XX	-X
Brand	Series	Power	Input Voltage	Candela Distribution	CCT(K)	Area
K-KHJ	SA-Sea Anemone	360-360W 480-480W 720-720W	Default-100~277VAC	H1V1(15°) H4V4(60°) H5V5(80°)	WM-3000K±300 NH-4000K±300 NH-5000K±300 CH-5700K±300	E- English

Ordering Information

P/N	Operating Voltage(V)	Luminous Flux(lm)	Power	CRI	Color Temp.	CCT(K)
KSA360*WM-E	100~277 AC (141~392 DC)	36000	360	70	Warm white	3000±300
KSA360*NH-E		39600	360	70	Natural white	4000±300
KSA360*NH-E		39600	360	70	Natural white	5000±300
KSA360*CH-E		39600	360	70	Cool white	5700±300
KSA480*WM-E		48000	480	70	Warm white	3000±300
KSA480*NH-E		52800	480	70	Natural white	4000±300
KSA480*NH-E		52800	480	70	Natural white	5000±300
KSA480*CH-E		52800	480	70	Cool white	5700±300
KSA720*WM-E		72000	720	70	Warm white	3000±300
KSA720*NH-E		79200	720	70	Natural white	4000±300
KSA720*NH-E		79200	720	70	Natural white	5000±300
KSA720*CH-E		79200	720	70	Cool white	5700±300

Remarks: 1.*Stands for beam angle , including H1V1 / H4V4 / H5V5 .

Candela Distribution



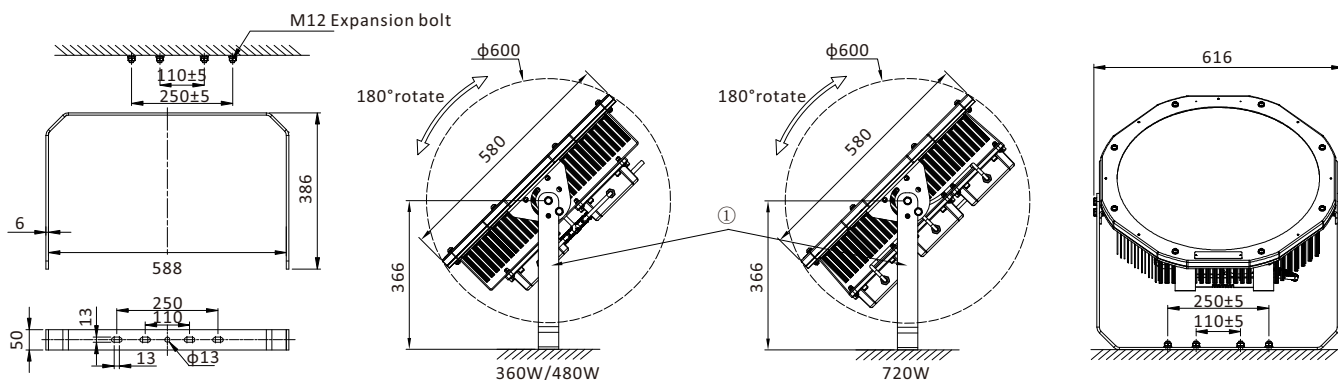
CE RoHS

CE & RoHS Certified LED bay light/High bay light in Industrial Area.

Installation Method

Stanchion Mount:

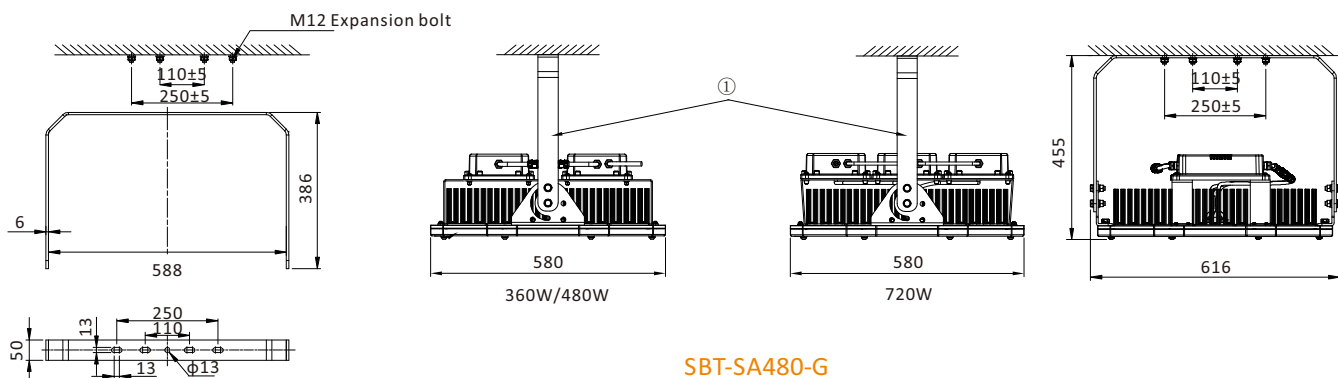
(unit:mm)



SBT-SA480-G


Ceiling Mount:

(unit:mm)



SBT-SA480-G

Optional Parts

No.	Installation Accessories	Part No.	Picture	Material	Weight(Kg)	QTY	Remarks
1	Stanchion Bracket	SBT-SA480-G		Q235	4.7	1	Stanchion Mount Ceiling Mount