



## LED Industrial Light

**ACE & RoHS Certified LED Emergency EXIT light in Industrial Area.  
Polaris Series**

**CE RoHS**

[www.khjled.com](http://www.khjled.com)



## Features And Benefits:

- High efficacy LED Source with long lifespan >50,000 hours
- 3-year performance warranty
- Robust aluminium housing and strong tempered glass
- Vibration and shock resistant
- Low maintenance

## Applications:



Cement plants



Warehouse



Factory



Power Generation



Power Transmission



Shipping industry

# CE RoHS

CE & RoHS Certified LED Emergency EXIT light in Industrial Area.

## LED Emergency EXIT light

### Standard & Certificate:

Certificate:	<ul style="list-style-type: none"><li>• CE</li><li>• RoHS</li></ul>
Executive Standard:	<ul style="list-style-type: none"><li>• EN 55015, EN 61547, EN 61000-3-2, EN 61000-3-3</li><li>• EN 60598-1, EN 60598-2-5, EN 62031, EN 62493</li><li>• IEC 62321-4, IEC 62321-5, IEC 62321-6</li><li>• IEC 62321-7-1, IEC 62321-7-2, IEC 62321-8</li></ul>

### Electrical & Photometric Features:

Lifespan:	>50,000 hours
Operating Voltage:	100-277 VAC, 141-392 VDC
Power:	Normal: 6W; Emergency: 0.5W
Battery Rated Capacity:	2.6Ah
Battery Type:	Ni-MH
Rated Lifespan:	300 Cycles
Battery Back Up:	180 Min
Battery Charge Time: (after full discharge)	12 h
Frequency:	50/60Hz
Power Factor:	>0.98
Insulation Class:	I
LED Driver:	Over voltage protection/short circuit protection

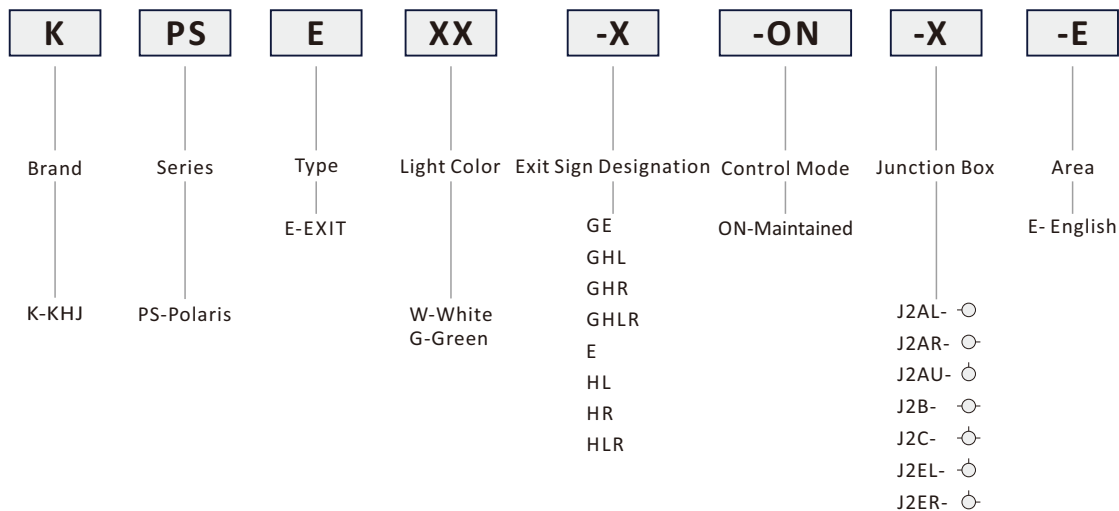
### Mechanical Features:

Weight:	3.1Kg
Size:	337*310*76mm
Ambient Temperature:	-20°C-+55°C
Connecting Terminals:	3*1.0-4.0mm <sup>2</sup> (L+N+PE)
Cable Entries:	1XNPT3/4" (M20*1.5, M25*1.5 are optional)
Earthing Protection:	M4 (Internal & external earth bolts)
IP Code:	IP54
Enclosure Material:	Copper-free Aluminium
Enclosure Colour:	Grey RAL7040
Coating:	Epoxy powder coating
Exposed Fastener:	Stainless steel
Protective Cover:	Tempered glass, Stand 4J impact

# CE RoHS

CE & RoHS Certified LED Emergency EXIT light in Industrial Area.

## Production Definition



## Ordering Information

P/N	Operating Voltage(V)	Light Color	Exit Sign Designation	Temp. Classification
KPSEW-GE-ON-*-E	100-277 AC (141-392 DC)	White		T6
KPSEW-GHL-ON-*-E				
KPSEW-GHR-ON-*-E				
KPSEW-GHLR-ON-*-E				
KPSEG-E-ON-*-E		Green		
KPSEG-HL-ON-*-E				
KPSEG-HR-ON-*-E				
KPSEG-HLR-ON-*-E				

Remarks:\* Stand for junction box type, See Production Definition for details.

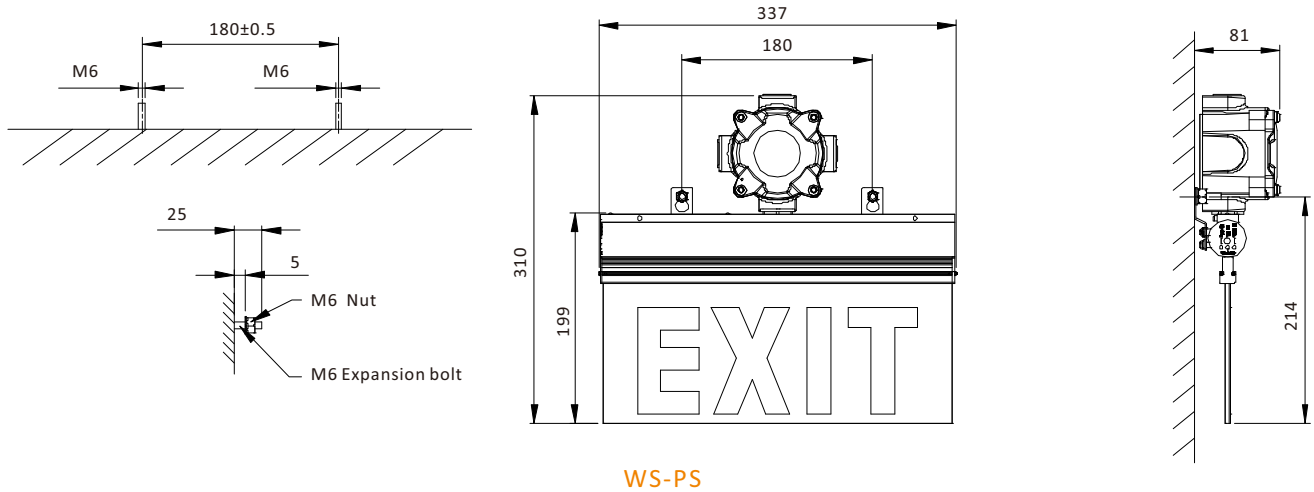
# CE RoHS

CE & RoHS Certified LED Emergency EXIT light in Industrial Area.

## Installation Method

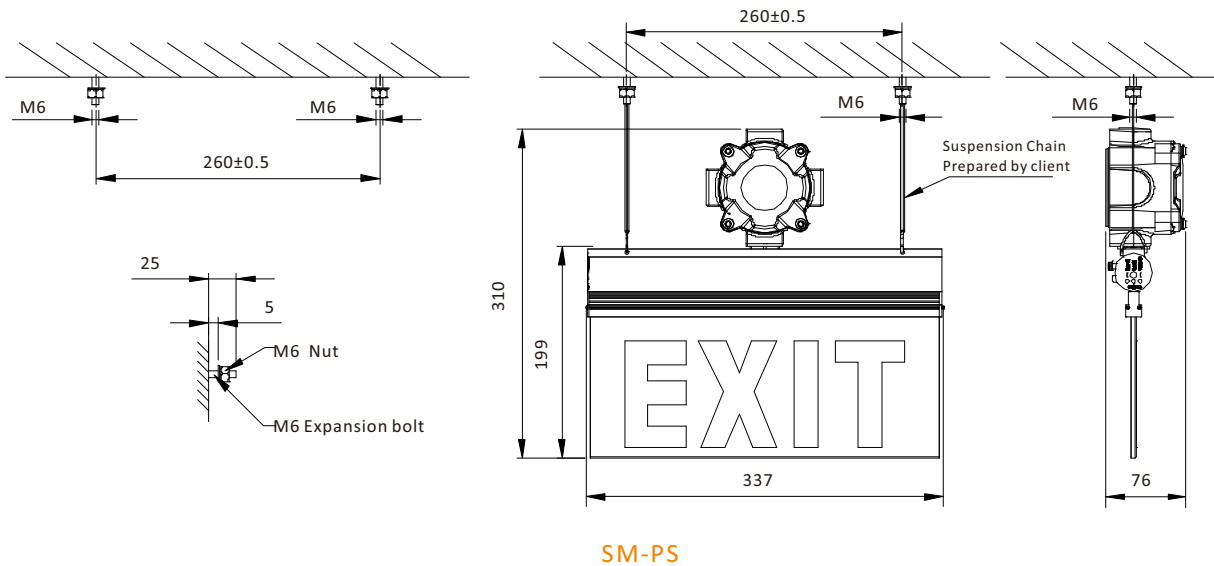
### Wall Mount:

(unit:mm)



### Pendant Mount:

(unit:mm)



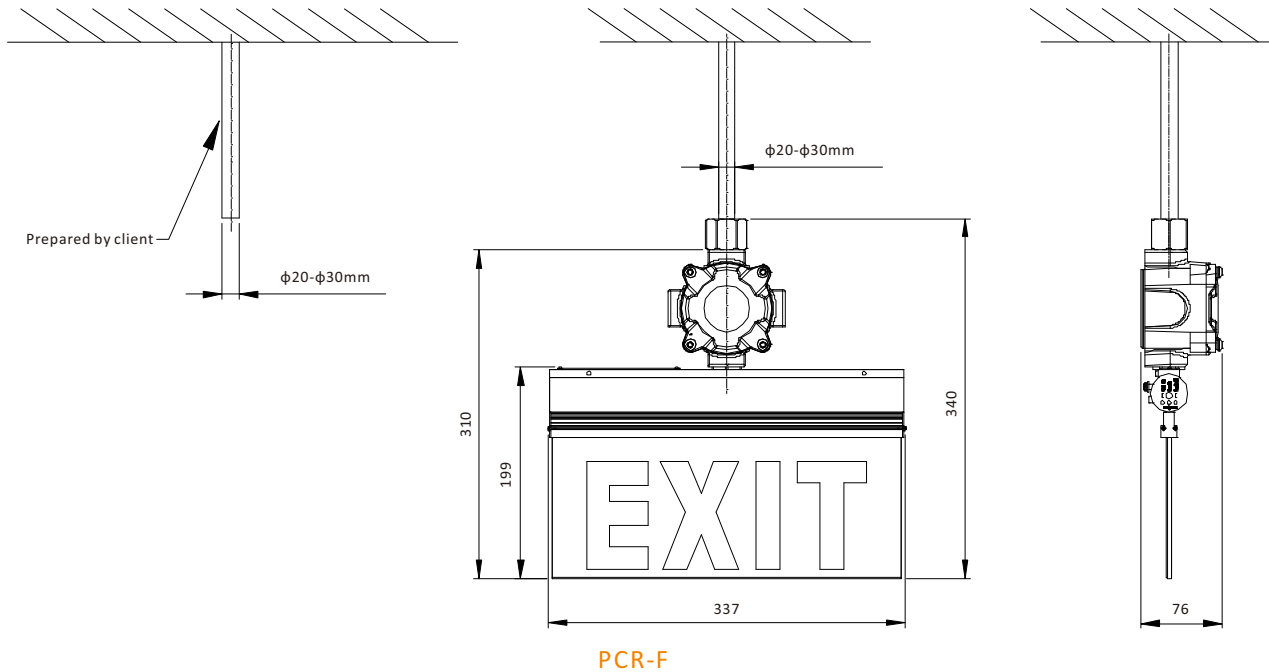
# CE RoHS

CE & RoHS Certified LED Emergency EXIT light in Industrial Area.

## Installation Method

Pipe mount:

(unit:mm)



## Optional Parts

No.	Installation accessories	Part No.	Picture	Material	Weight(g)	QTY	Remark
1	Bracket	WS-PS		SUS304	32	1	Wall Mount
2	Steel chain	SM-PS		Stainless Steel	10	1	Pendant Mount
3	Pipe connector	PCR-F-N PCR-F-M		SUS304	260	1	Pipe mount