



LED Explosion Proof Emergency EXIT Light

**ATEX Certified LED Emergency EXIT light in Hazardous Area.
Polaris Series**

-  II 2 G Ex mb ib op is IIC T6 Gb
-  II 2 D Ex tb op is IIC T95°C or T80°C Db





Features And Benefits:

- High efficacy LED Source with long lifespan >50,000 hours
- 3-year performance warranty
- Robust aluminium housing and strong tempered glass
- Vibration and shock resistant
- Low maintenance

Applications:



Oil&Gas Exploration



Drilling



Oil Refinery



Petrochemical Plant



Power Plant



Pharmaceutical Plant



ATEX Certified LED Emergency EXIT light in Hazardous Area.

LED Emergency EXIT light

Standard & Certificate:

Ex Mark:	Gas: Ⓜ II 2 G Ex mb ib op is IIC T6 Gb Dust: Ⓜ II 2 D Ex tb op is IIIC T95°C or T80°C Db
Certificate:	• ATEX Certification NO.:ECM 19 ATEX-B Su43 • CE • RoHS
Executive Standard:	• EN 60079-0:2018 • EN 60079-11:2012 • EN 60079-31:2014. • EN 60079-1:2014 • EN 60079-18:2015+ • IEC 60079-0:2018 • EN 60079-7:2015+ A1:2017 • IEC 60079-7:2015+A1:2018 A1:2018 • EN 60079-28:2015
Classification:	• Group II Zone 1 & 21 and 2 & 22

Electrical & Photometric Features:

Lifespan:	>50,000 hours
Operating Voltage:	100-277 VAC 141-392 VDC
Power:	Normal:6W;Emergency:0.5W
Battery Rated Capacity:	2.6Ah
Battery Type:	Ni-MH
Rated Lifespan:	300 Cycles
Battery Back Up:	180 Min
Battery Charge Time: (after full discharge)	12 h
Frequency:	50/60Hz
Power Factor:	>0.98
Insulation Class:	I
LED Driver:	Over voltage protection/short circuit protection

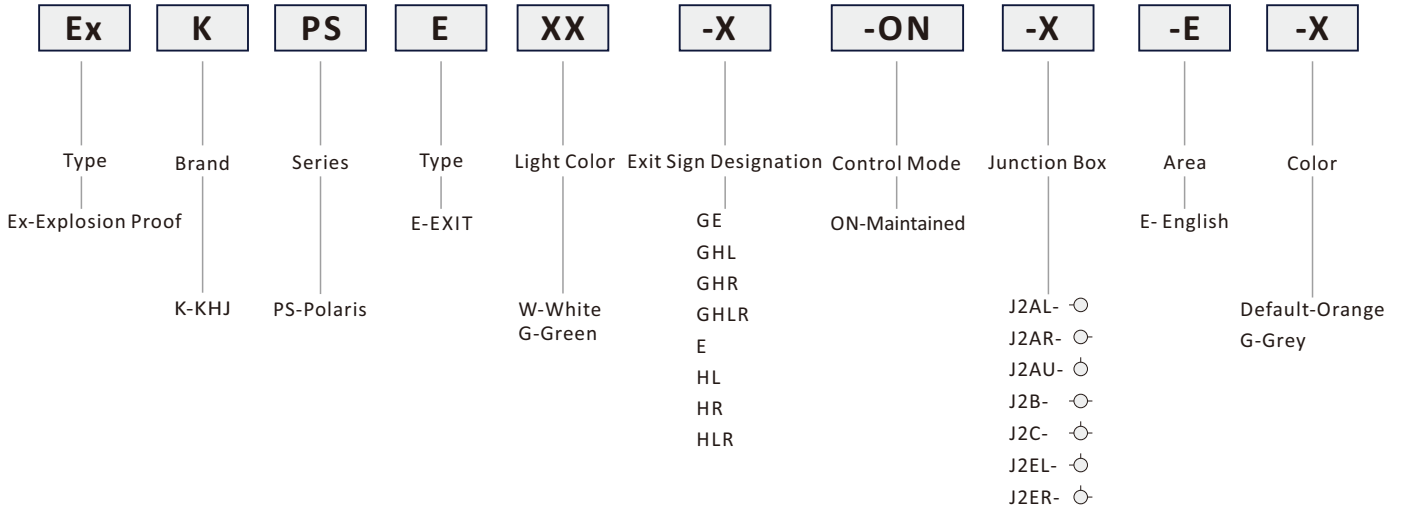
Mechanical Features:

Weight:	3.1Kg
Size:	337*310*76mm
Ambient Temperature:	-20°C-+55°C
Connecting Terminals:	3*1.0-4mm ² (L+N+PE)
Cable Entries:	1XNPT 3/4" (M20*1.5, M25*1.5 are optional)
Earthing Protection:	M4 (Internal & external earth bolts)
IP Code:	IP54
Enclosure Material:	Copper-free Aluminium
Enclosure Colour:	Orange,RAL2011(optional grey RAL7040)
Coating:	Epoxy powder coating
Exposed Fastener:	Stainless steel
Protective Cover:	Tempered glass,Stand 4J impact



ATEX Certified LED Emergency EXIT light in Hazardous Area.

Production Definition



Ordering Information

P/N	Operating Voltage(V)	Light Color	Exit Sign Designation	Temp. Classification -20°C-+55°C
Ex-KPSEW-GE-ON-*-E	100-277 AC (141-392 DC)	White		T6
Ex-KPSEW-GHL-ON-*-E				
Ex-KPSEW-GHR-ON-*-E				
Ex-KPSEW-GHLR-ON-*-E				
Ex-KPSEG-E-ON-*-E		Green		
Ex-KPSEG-HL-ON-*-E				
Ex-KPSEG-HR-ON-*-E				
Ex-KPSEG-HLR-ON-*-E				

Remarks: * Stands for junction box ,including J2AL,J2AR,J2AU,J2B,J2C,J2EL,J2ER.

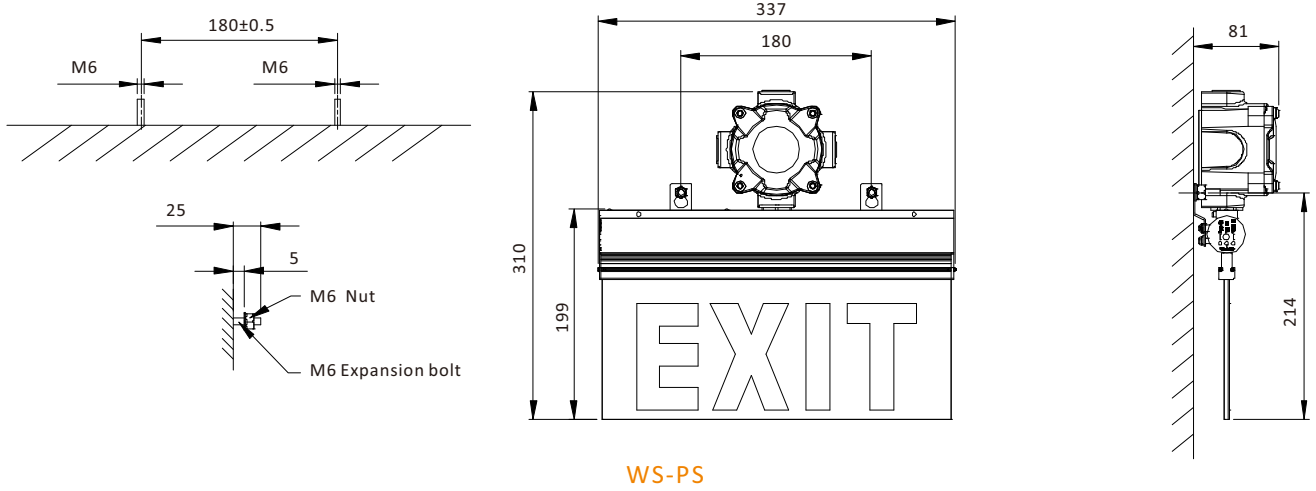


ATEX Certified LED Emergency EXIT light in Hazardous Area.

Installation Method

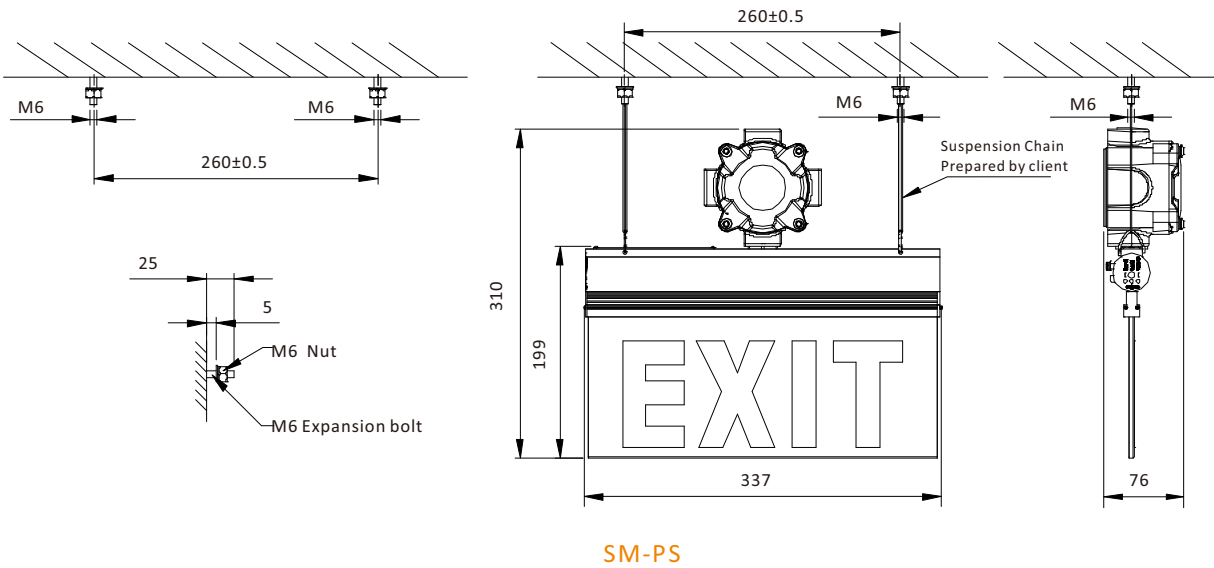
Wall Mount:

(unit:mm)



Pendant Mount:

(unit:mm)



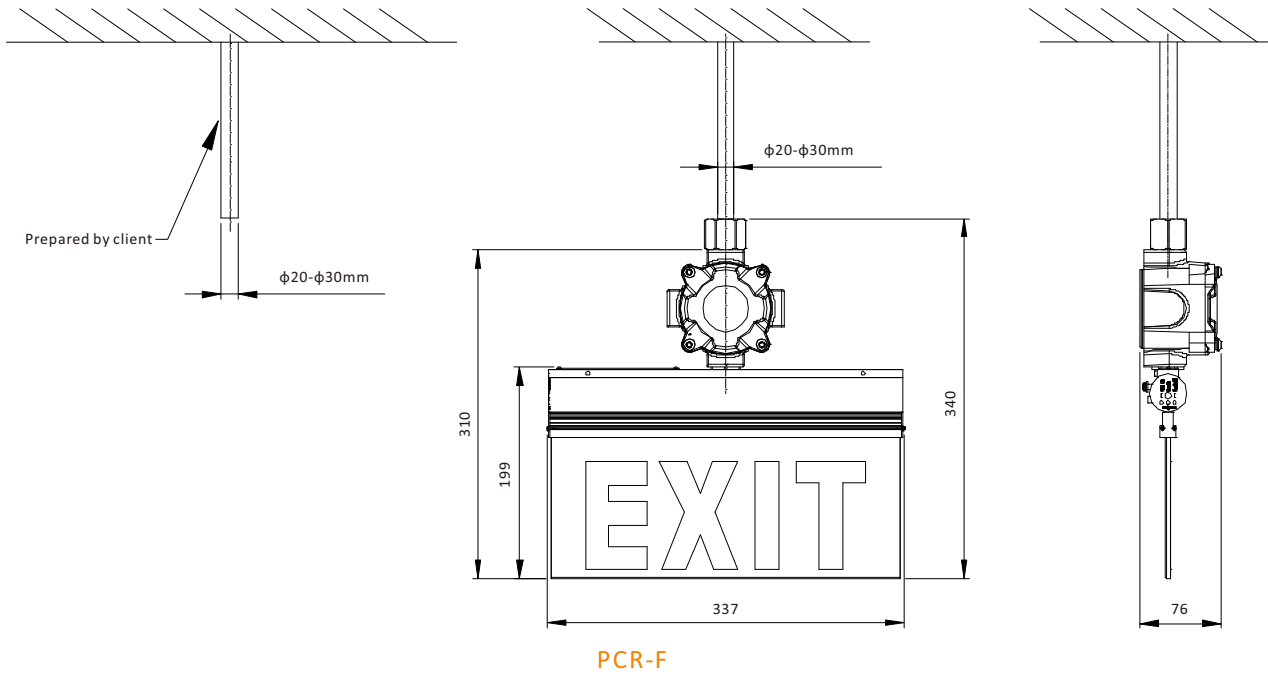


ATEX Certified LED Emergency EXIT light in Hazardous Area.



Installation Method

Pipe mount:

(unit:mm)



Optional Parts

No.	Installation accessories	Part No.	Picture	Material	Weight(g)	QTY	Remark
1	Bracket	WS-PS		SUS304	32	1	Wall Mount
2	Steel chain	SM-PS		Stainless Steel	10	1	Pendant Mount
3	Pipe connector	PCR-F-N PCR-F-M		SUS304	260	1	Pipe mount