

## LED Industrial Light

**UL Certified LED Floodlight/High bay light in Industrial Area.  
Polarbear Series**

UL1598A;UL1598



## Features And Benefits:

- High efficacy LED Source with long lifespan >50,000 hours
- 5-year performance warranty
- Low THD around 10%, Less interference
- 5KV Surge Protection
- Robust aluminium housing and strong tempered glass
- Vibration and shock resistant
- Low maintenance

## Applications:



Cement plants



Warehouse



Factory



Power Generation



Power Transmission



Shipping industry

# LED Floodlight/High bay light

## Standard & Certificate:

Certificate:	<ul style="list-style-type: none"> <li>UL Certification NO.:20170823- E491373/E491374</li> <li>CE</li> <li>RoHS</li> </ul>
Executive Standard:	<ul style="list-style-type: none"> <li>UL 1598</li> <li>UL 1598A</li> <li>UL 8750</li> <li>CSA C22.2 No.137-M1981</li> <li>CSA C22.2 No.250.1-08</li> <li>CSA C22.2 No.250.13</li> <li>CSA C22.2 No.250.13-14</li> </ul>

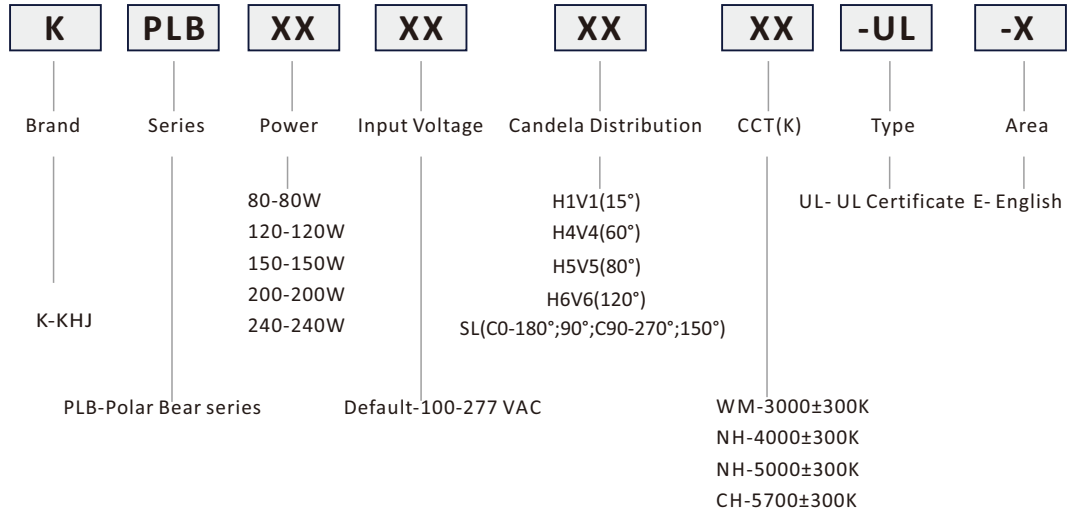
## Electrical & Photometric Features:

Luminaire Efficacy:	147lm/W
Lifespan:	>50,000 hours
Operating Voltage:	100-277 VAC 141-392 VDC
Power:	80W/120W/150W/200W/240W
Frequency:	50/60Hz
Power Factor:	>0.98
THD:	<10%
Insulation Class:	I
Surge Protection:	4KV/6KV
LED Driver:	Over voltage protection/short circuit protection

## Mechanical Features:

Weight:	7.3Kg(80W)/11Kg(120W,150W)/18.4Kg(200W,240W)
Size:	210*400*161mm(80W)/260*400*161mm(120W,150W) 500*400*161mm(200W,240W)
Ambient Temperature:	-40°C-+50°C
Connecting Terminals:	3*1.0-4mm <sup>2</sup> (L+N+PE)
Cable Entries:	1XNPT 3/4" (M20*1.5, M25*1.5 are optional)
Earthing Protection:	M4 (Internal & external earth bolts)
IP Code:	IP66
Enclosure Material:	Copper-free Aluminium
Enclosure Colour:	Orange,RAL2011(optional grey ral7040)
Coating:	Epoxy powder coating
Exposed Fastener:	Stainless steel
Protective Cover:	Tempered glass,Stand 7J impact

## Production Definition



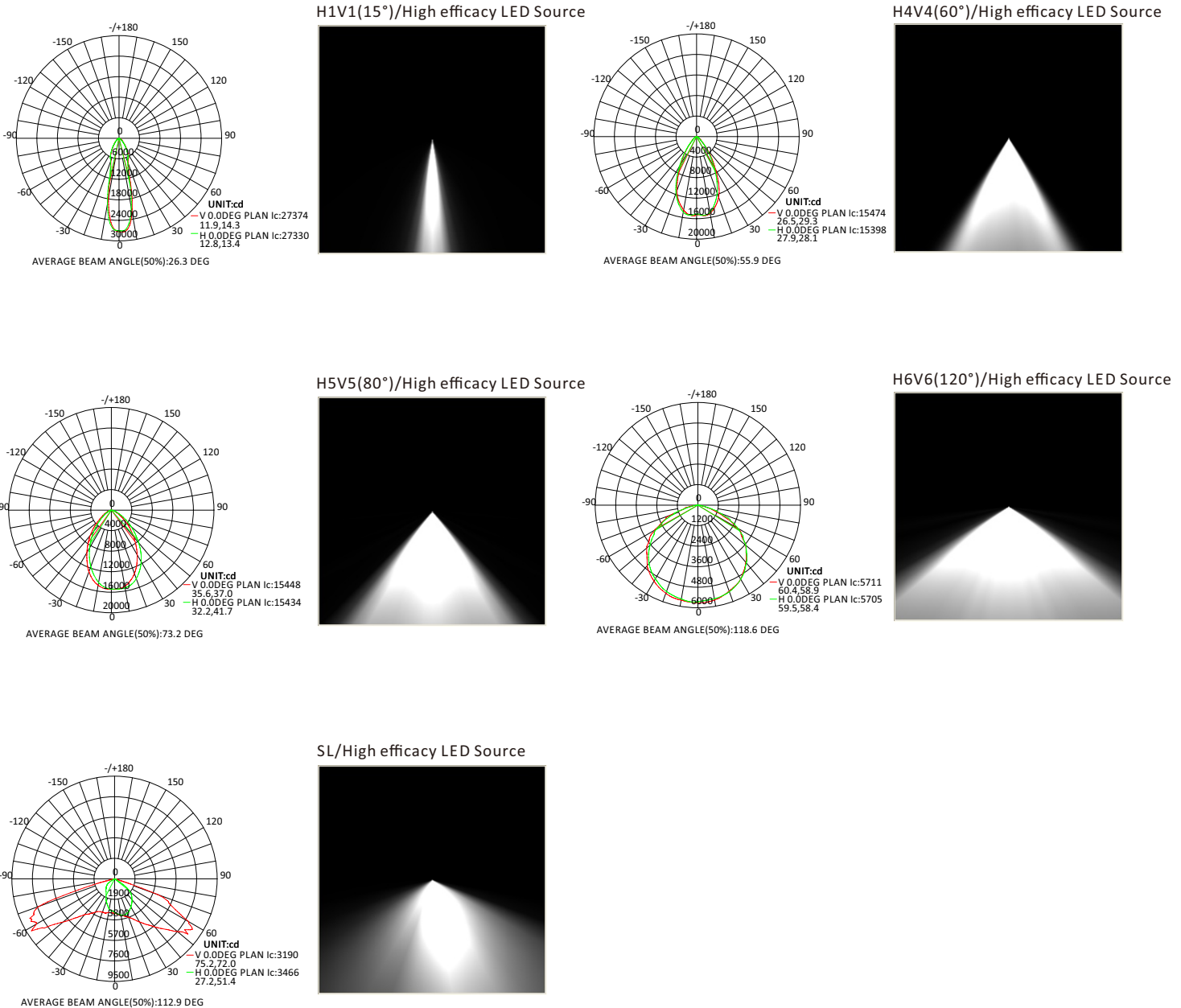
## Ordering information

P/N	Operating Voltage(V)	Luminous Flux(lm)	Power(W)	CRI	Color Temp.	CCT(K)
KPLB80*WM-UL-E	100-277 AC (141-392 DC)	10920	80	70	Warm white	3000±300
KPLB80*NH-UL-E		11760	80	70	Natural white	4000±300
KPLB80*NH-UL-E		11760	80	70	Natural white	5000±300
KPLB80*CH-UL-E		11760	80	70	Cool white	5700±300
KPLB120*WM-UL-E		16380	120	70	Warm white	3000±300
KPLB120*NH-UL-E		17640	120	70	Natural white	4000±300
KPLB120*NH-UL-E		17640	120	70	Natural white	5000±300
KPLB120*CH-UL-E		17640	120	70	Cool white	5700±300
KPLB150*WM-UL-E		21840	150	70	Warm white	3000±300
KPLB150*NH-UL-E		23520	150	70	Natural white	4000±300
KPLB150*NH-UL-E		23520	150	70	Natural white	5000±300
KPLB150*CH-UL-E		23520	150	70	Cool white	5700±300
KPLB200*WM-UL-E		27300	200	70	Warm white	3000±300
KPLB200*NH-UL-E		29400	200	70	Natural white	4000±300
KPLB200*NH-UL-E		29400	200	70	Natural white	5000±300
KPLB200*CH-UL-E		29400	200	70	Cool white	5700±300
KPLB240*WM-UL-E		32760	240	70	Warm white	3000±300
KPLB240*NH-UL-E		35280	240	70	Natural white	4000±300
KPLB240*NH-UL-E		35280	240	70	Natural white	5000±300
KPLB240*CH-UL-E		35280	240	70	Cool white	5700±300

Remarks: 1.\* Stands for beam angle,including H1V1 / H4V4 / H5V5 / H6V6 / SL;  
 2. For Beam angle H1V1,H4V4 and H5V5,the luminous flux will be 15% less;  
 For Beam angle SL the luminous flux will be 30% less.  
 3.SL beam angle is only applicable for 80W&120W.

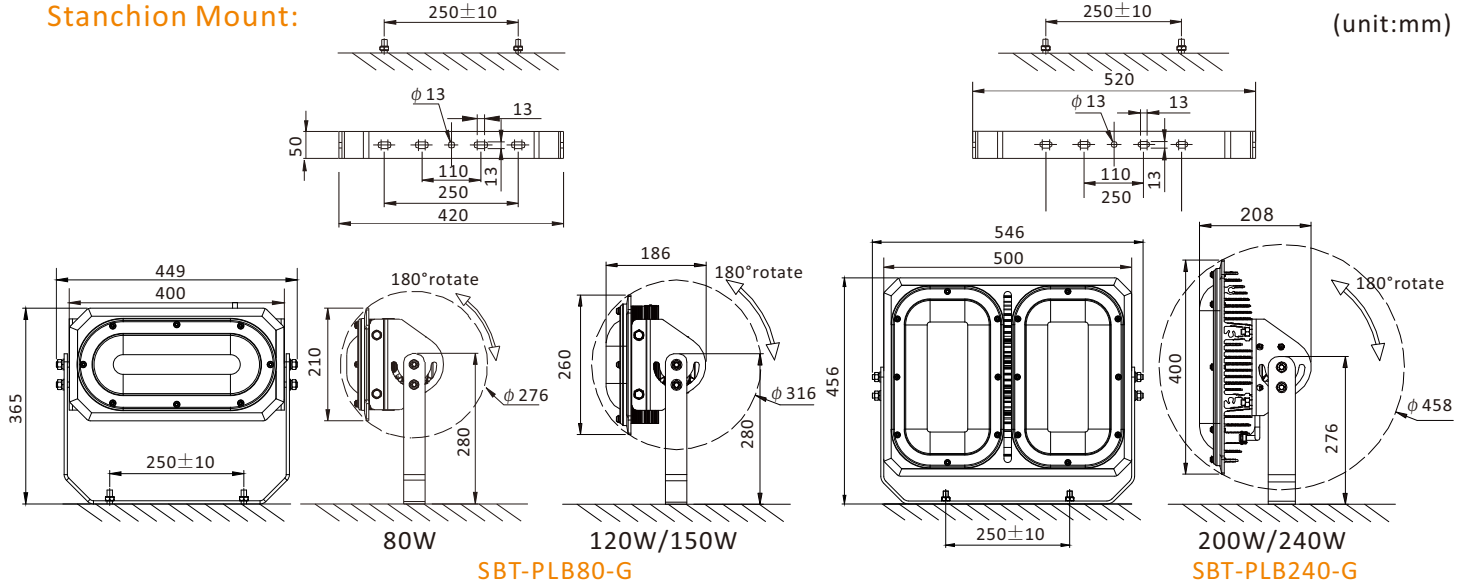
UL Certified LED Floodlight/High bay light in Industrial Area.

## Candela Distribution

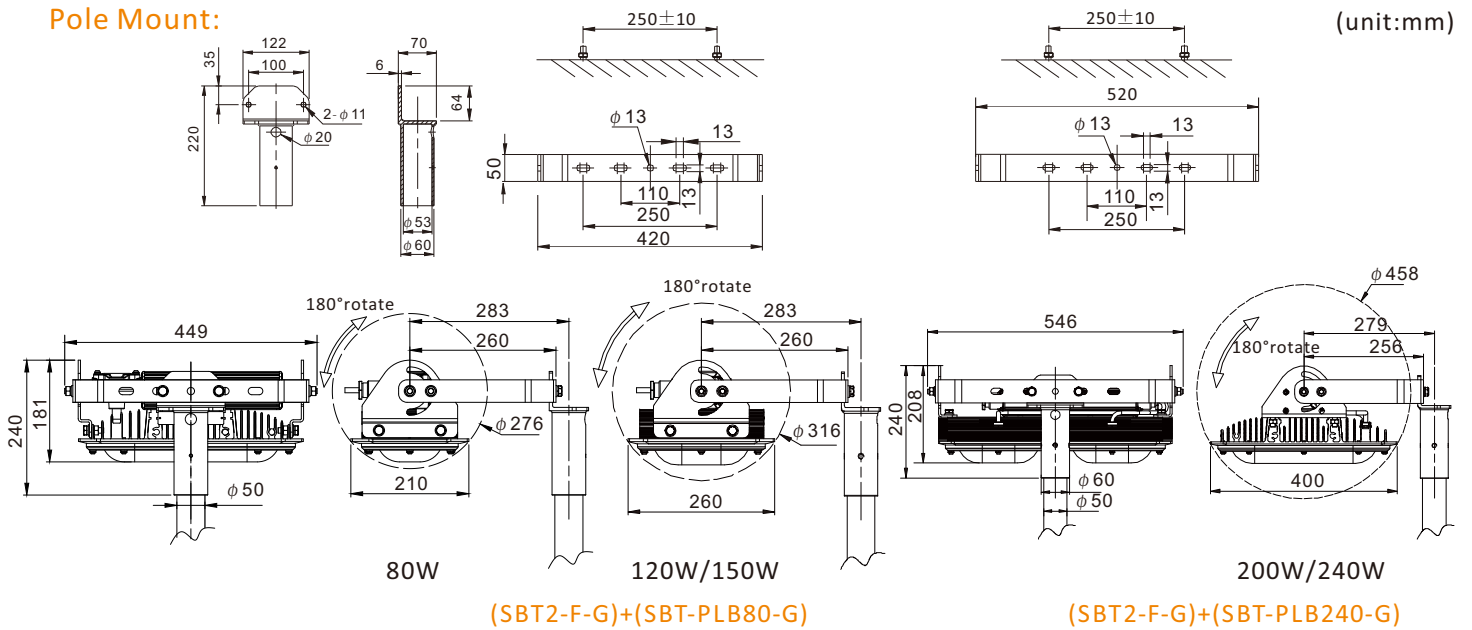


## Installation Method

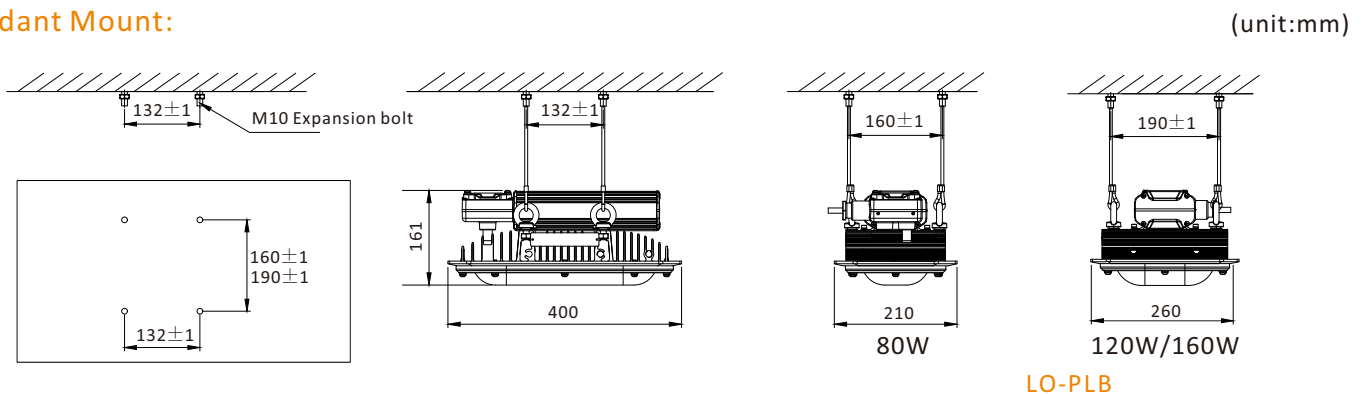
### Stanchion Mount:



### Pole Mount:



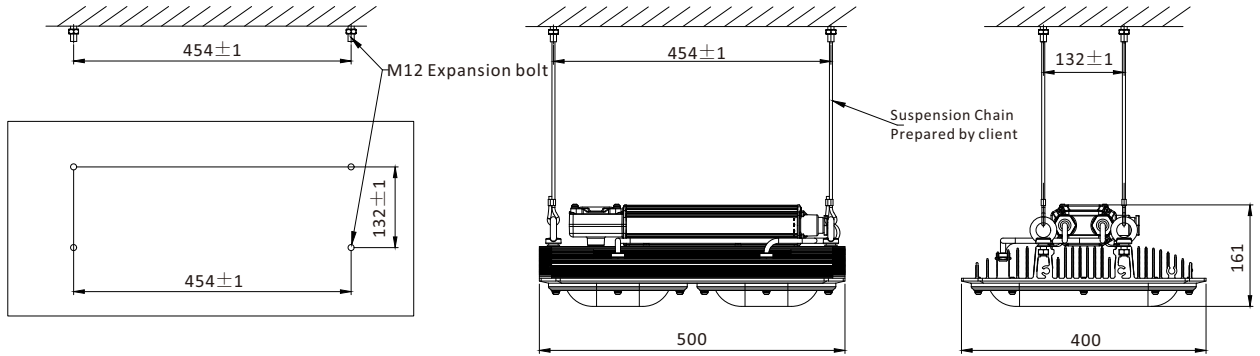
### Pendant Mount:



## Installation Method

### Pendant Mount:

(unit:mm)

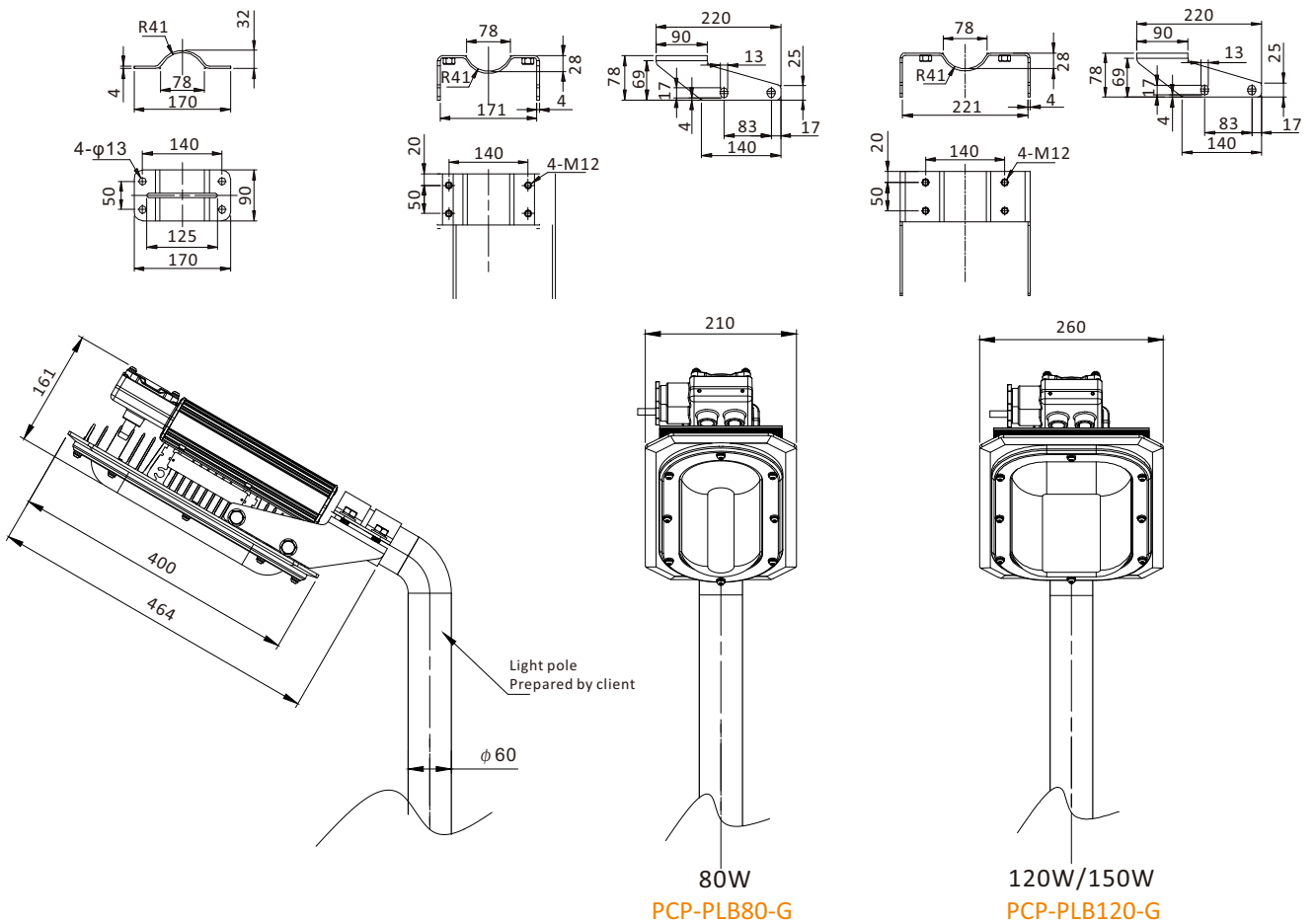


200W/240W

LO-PLB

### Pipe Clamp:




(unit:mm)



80W  
PCP-PLB80-G

120W/150W  
PCP-PLB120-G

## Optional Parts

No.	Installation accessories	Part No.	Picture	Material	Weight(Kg)	QTY	Remark
1	Pipe clamp	PCP-PLB80-G		Q235	2.1	1	Pipe clamp (80W)
2	Pipe clamp	PCP-PLB120-G		Q235	2.3	1	Pipe clamp (120W/160W)
3	Loop	LO-PLB-MC		SUS316	0.8	1	Pendant mount (200W/240W)
4	Stanchion Bracket	SBT-PLB80-G		Q235	4	1	Wall mount Stanchion mount (80W/120W/160W)
5	Stanchion Bracket	SBT-PLB240-G		Q235	4.3	1	Wall mount Stanchion mount (200W/240W)
6	Stanchion Bracket1	SBT2-F-G SBT-PLB80-G		Q235	5.63	1	Pole mount (80W/120W/160W)
7	Stanchion Bracket1	SBT2-F-G SBT-PLB240-G		Q235	5.83	1	Pole mount (200W/240W)
8	Guard-1	GU-PLB80-MC		SUS304	0.3	1	(80W)
9	Guard-2	GU-PLB120-MC		SUS304	0.35	1	(120W/160W)
		GU-PLB240-MC			0.7	1	(200W/240W)