

LED Explosion Proof Emergency Light

ATEX Certified LED Emergency light in Hazardous Area.

Mickeymouse Series

-  II 2 G Ex db op is IIC T5 or T6 Gb
-  II 2 D Ex tb IIIC T95°C or T80°C Db





Features And Benefits:

- High efficacy LED Source with long lifespan >50,000 hours
- 3-year performance warranty
- Over-charge and over-discharge protection. Ensure safety
- Robust aluminium housing and strong tempered glass
- Vibration and shock resistant
- Low maintenance

Applications:



Oil&Gas Exploration



Drilling



Oil Refinery



Petrochemical Plant



Power Plant



Pharmaceutical Plant



ATEX Certified LED Emergency light in Hazardous Area.

LED Emergency Light

Standard & Certificate:

Ex Mark:	Gas: ⚠ II 2 G Ex db op is IIC T5 or T6 Gb Dust: ⚠ II 2 D Ex tb IIIC T95°C or T80°C Db
Certificate:	• ATEX Certification NO.:EPT 18 ATEX 2977 X • CE • RoHS
Executive Standard:	• EN 60079-0:2018, EN 60079-1:2014, EN 60079-7:2015+A1:2018 • EN 60079-11:2012, EN 60079-18:2015+A1:2017, EN 60079-28:2015 • EN 60079-31:2014, IEC 60079-0:2018, IEC 60079-7:2015+A1:2018
Classification:	• Group II Zone 1 & 21 and 2 & 22

Electrical & Photometric Features:

Lifespan:	>50,000 hours
Operating Voltage:	100-277 VAC 141-392 VDC
Power:	3W
Battery Capacity:	1.4 Ah
Battery Type:	Ni-Cd
Battery Lifespan:	300 cycles
Light Duration:	>120min
Charging Time: (after full discharge)	12h
Frequency:	50/60Hz
Power Factor:	>0.98
Insulation Class:	I
LED Driver:	Over voltage protection/short circuit protection

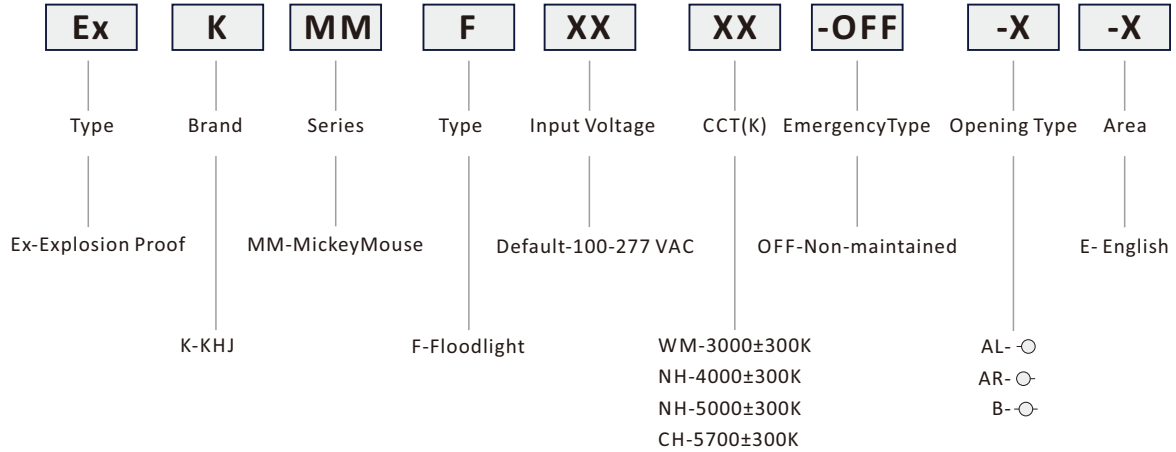
Mechanical Features:

Weight:	2.3Kg
Size:	223*95*233mm
Ambient Temperature:	-20°C--+40°C
Cable Entries:	1XNPT 3/4" (M20*1.5, M25*1.5 are optional)
Earthing Protection:	M4 (Internal & external earth bolts)
IP Code:	IP66
Enclosure Material:	Copper-free Aluminium
Enclosure Colour:	Orange, RAL2011 (optional grey RAL7040)
Coating:	Epoxy powder coating
Exposed Fastener:	Stainless steel
Protective Cover:	Tempered glass, Stand 7J impact



ATEX Certified LED Emergency light in Hazardous Area.

Production Definition



Ordering information

P/N	Operating Voltage(V)	CRI	Color Temp.	CCT(K)	Opening Type	Temp. Classification
						-20℃~+40℃
Ex-KMMFWM-OFF-AL-E	100~277 AC (141~392 DC)	80	Warm white	3000±300		T6
Ex-KMMFNH-OFF-AL-E		70	Natural white	4000±300		
Ex-KMMFNH-OFF-AL-E		70	Natural white	5000±300		
Ex-KMMFCH-OFF-AL-E		70	Cool white	5700±300		
Ex-KMMFWM-OFF-AR-E		80	Warm white	3000±300		
Ex-KMMFNH-OFF-AR-E		70	Natural white	4000±300		
Ex-KMMFNH-OFF-AR-E		70	Natural white	5000±300		
Ex-KMMFCH-OFF-AR-E		70	Cool white	5700±300		
Ex-KMMFWM-OFF-B-E		80	Warm white	3000±300		
Ex-KMMFNH-OFF-B-E		70	Natural white	4000±300		
Ex-KMMFNH-OFF-B-E		70	Natural white	5000±300		
Ex-KMMFCH-OFF-B-E		70	Cool white	5700±300		

Size

