



LED Industrial Light

**CE & RoHS Certified LED Floodlight/bay light in Industrial Area.
Golden Frog Series**

CE RoHS

www.khjled.com



Features And Benefits:

- High efficacy LED Source with long lifespan >50,000 hours
- 5-year performance warranty
- Low THD around 10%, Less interference
- 5KV Surge Protection
- Robust aluminium housing and strong tempered glass
- Vibration and shock resistant
- Low maintenance

Applications:



Cement plants



Warehouse



Factory



Power Generation



Power Transmission



Shipping industry

CE RoHS

CE & RoHS Certified LED Floodlight/bay light in Industrial Area.

LED Floodlight/bay light

Standard & Certificate:

| | | | |
|---------------------|--|--------|-------|
| Certificate: | • CE | • RoHS | • ABS |
| Executive Standard: | • EN 55015, EN 61547, EN 61000-3-2, EN 61000-3-3 • EN 60598-1, EN 60598-2-5, EN 62031, EN 62493 • IEC 62321-4, IEC 62321-5, IEC 62321-6 • IEC 62321-7-1, IEC 62321-7-2, IEC 62321-8 | | |

Electrical & Photometric Features:

| | |
|---------------------|--|
| Luminaire Efficacy: | 136.5lm/W |
| Lifespan: | >50,000 hours |
| Operating Voltage: | 24-48 VAC/100-277 VAC 10-30 VDC/24-48 VDC/141-392 VDC |
| Power: | 30W/60W |
| Frequency: | 50/60Hz |
| Power Factor: | >0.98 |
| THD: | <10% |
| Insulation Class: | I |
| Surge Protection: | 5KV |
| LED Driver: | Over voltage protection/short circuit protection |

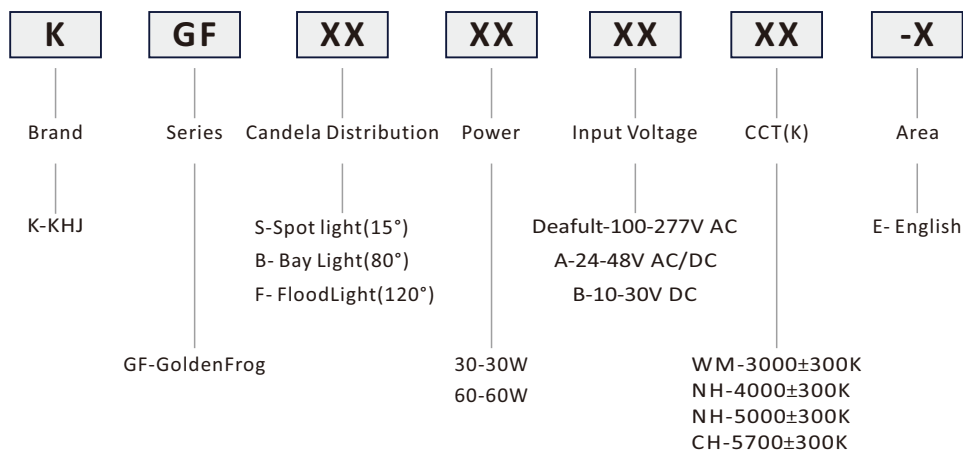
Mechanical Features:

| | |
|-----------------------|--------------------------------------|
| Weight: | 5.5Kg |
| Size: | 311*284*190mm |
| Ambient Temperature: | -40°C-+55°C |
| Connecting Terminals: | 3*1.0-4.0mm ² (L+N+PE) |
| Cable Entries: | 2XM25*1.5 (M20*1.5 is optional) |
| Earthing Protection: | M4 (Internal & external earth bolts) |
| IP Code: | IP66 |
| Enclosure Material: | Die-casting aluminium alloy |
| Enclosure Colour: | Grey RAL7040) |
| Coating: | Epoxy powder coating |
| Exposed Fastener: | Stainless steel |
| Protective Cover: | Tempered glass,Stand 7J impact |

CE RoHS

CE & RoHS Certified LED Floodlight/bay light in Industrial Area.

Production Definition



Ordering information

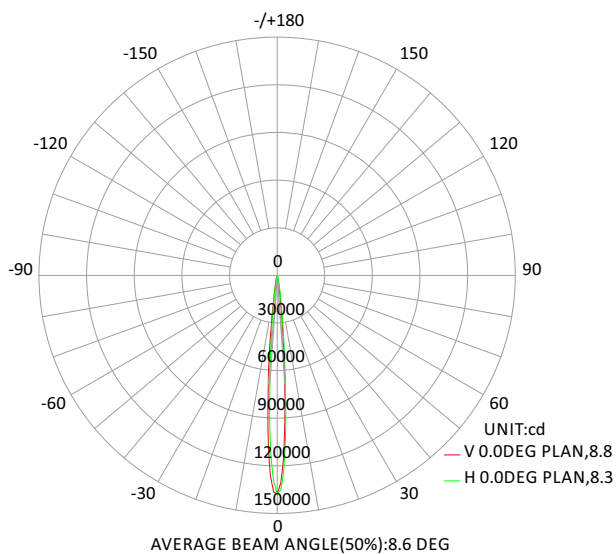
| P/N | Operating Voltage(V) | Luminous Flux(lm) | Power(W) | CRI | Color Temp. | CCT(K) |
|------------|----------------------------|-------------------|----------|-----|---------------|----------|
| KGFF30WM-E | 100~240 AC (141~339 DC) | 3780 | 30 | 80 | Warm white | 3000±300 |
| KGFF30NH-E | | 4095 | 30 | 70 | Natural white | 4000±300 |
| KGFF30NH-E | | 4095 | 30 | 70 | Natural white | 5000±300 |
| KGFF30CH-E | | 4095 | 30 | 70 | Cool white | 5700±300 |
| KGFB30WM-E | | 3450 | 30 | 70 | Warm white | 3000±300 |
| KGFB30NH-E | | 3780 | 30 | 70 | Natural white | 4000±300 |
| KGFB30NH-E | | 3780 | 30 | 70 | Natural white | 5000±300 |
| KGFB30CH-E | | 3780 | 30 | 70 | Cool white | 5700±300 |
| KGFS30WM-E | | 2850 | 30 | 80 | Warm white | 3000±300 |
| KGFS30NH-E | | 3150 | 30 | 70 | Natural white | 4000±300 |
| KGFS30NH-E | | 3150 | 30 | 70 | Natural white | 5000±300 |
| KGFS30CH-E | | 3150 | 30 | 70 | Cool white | 5700±300 |
| KGFF60WM-E | | 7560 | 60 | 80 | Warm white | 3000±300 |
| KGFF60NH-E | | 8190 | 60 | 70 | Natural white | 4000±300 |
| KGFF60NH-E | | 8190 | 60 | 70 | Natural white | 5000±300 |
| KGFF60CH-E | | 8190 | 60 | 70 | Cool white | 5700±300 |
| KGFB60WM-E | | 6900 | 60 | 70 | Warm white | 3000±300 |
| KGFB60NH-E | | 7560 | 60 | 70 | Natural white | 4000±300 |
| KGFB60NH-E | | 7560 | 60 | 70 | Natural white | 5000±300 |
| KGFB60CH-E | | 7560 | 60 | 70 | Cool white | 5700±300 |
| KGFS60WM-E | | 5700 | 60 | 80 | Warm white | 3000±300 |
| KGFS60NH-E | | 6300 | 60 | 70 | Natural white | 4000±300 |
| KGFS60NH-E | | 6300 | 60 | 70 | Natural white | 5000±300 |
| KGFS60CH-E | | 6300 | 60 | 70 | Cool white | 5700±300 |

Remark: Operating voltage including Default-100~240V AC; A-24-48V AC/DC; B-10-30V DC

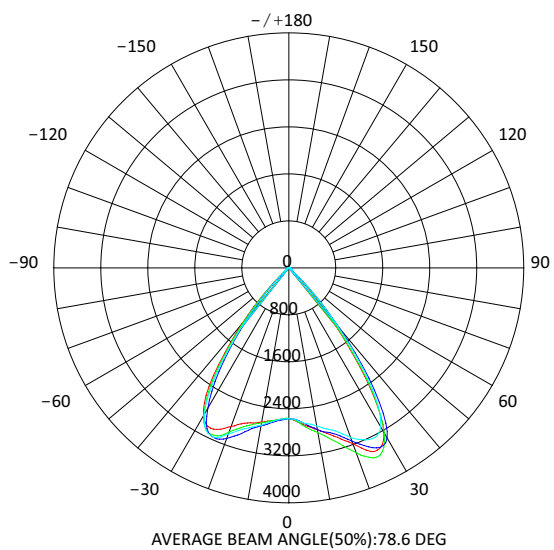
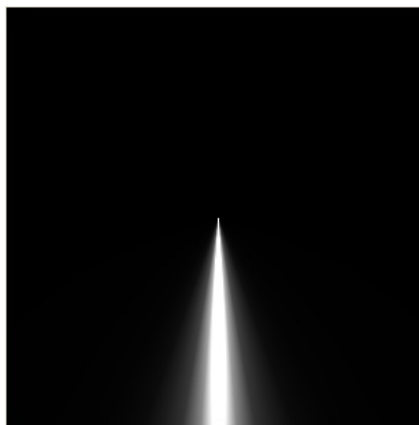
CE RoHS

CE & RoHS Certified LED Floodlight/bay light in Industrial Area.

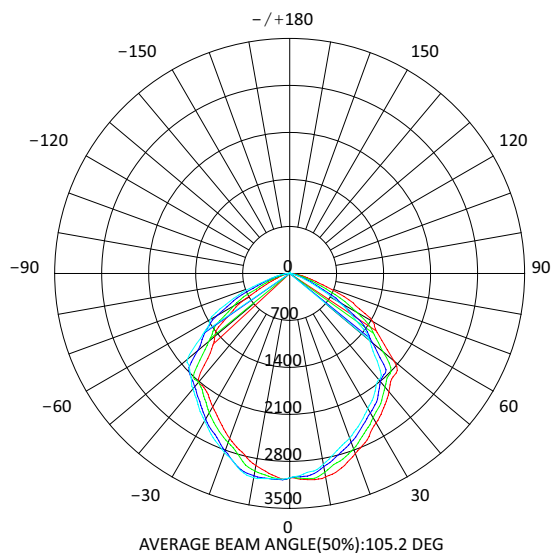
Candela Distribution



S-Spot light(15°)/High efficacy LED Source



B-Bay light(80°)/High efficacy LED Source



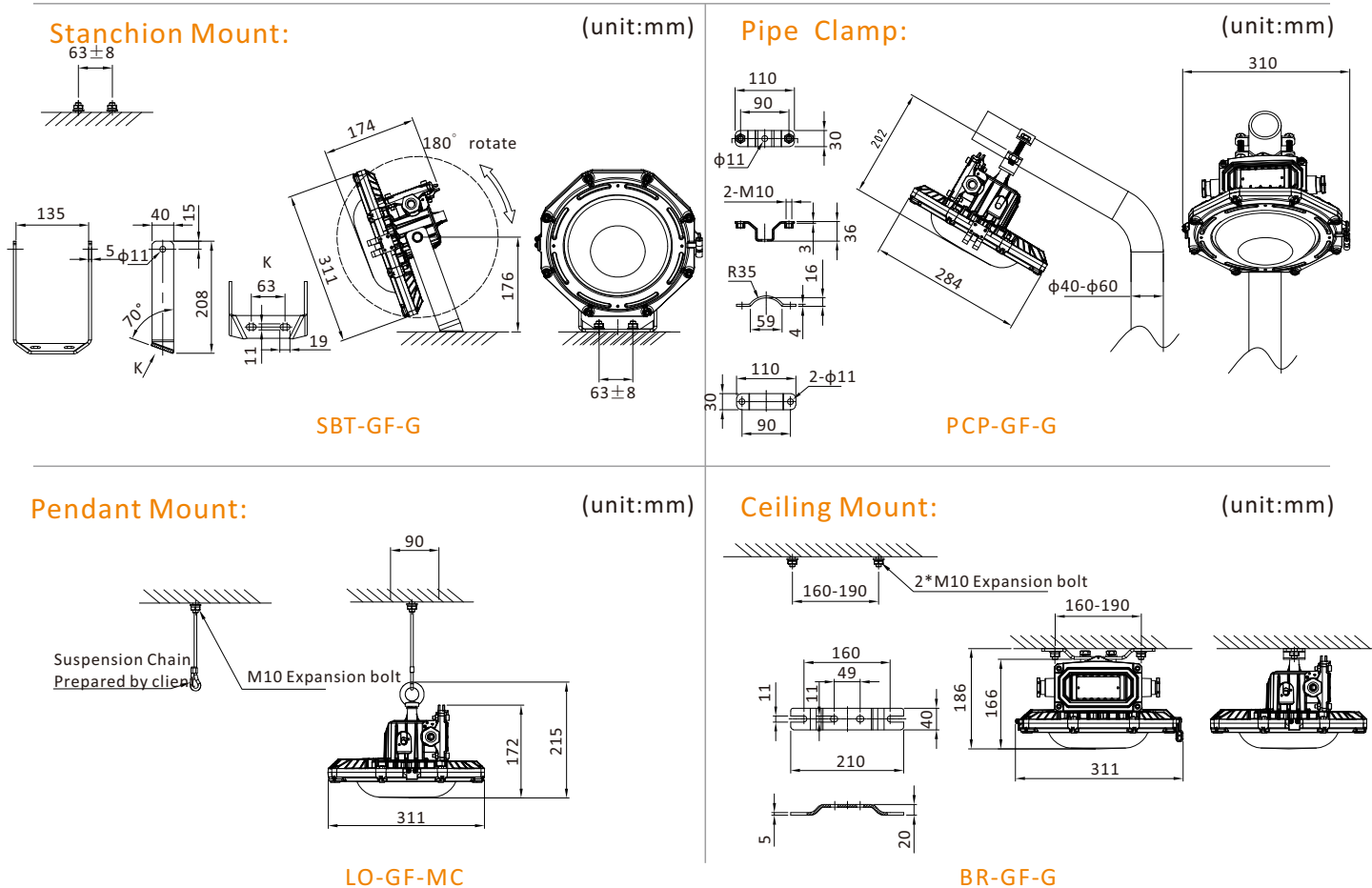
F-Flood light(120°)/High efficacy LED Source



CE RoHS

CE & RoHS Certified LED Floodlight/bay light in Industrial Area.

Installation Method



Optional Parts

| No. | Installation accessories | Part No. | Picture | Material | Weight(Kg) | QTY | Remark |
|-----|--------------------------|----------|---|----------|------------|-----|-----------------|
| 1 | Bracket | BR-GF-G |  | Q235 | 0.4 | 1 | Ceiling mount |
| 2 | Stanchion Bracket | SBT-GF-G |  | Q235 | 0.4 | 1 | Stanchion mount |
| 3 | Guard | GU-GF-MC |  | SUS304 | 0.3 | 1 | / |
| 4 | Loop | LO-GF-MC |  | SUS316 | 0.1 | 1 | Pendant mount |
| 5 | Pipe Clamp | PCP-GF-G |  | Q235 | 0.27 | 1 | Pipe clamp |