



LED Explosion Proof Working Light

ATEX Certified LED Worklight in Hazardous Area.

Firefly Series

- ⚠ II 2 G Ex db op is IIC T5 or T6 Gb
- ⚠ II 2 D Ex tb op is IIIC T95°C or T80°C Db IP66





Features And Benefits:

- High efficacy LED Source with long lifespan >50,000 hours
- 5-year performance warranty
- Low THD around 10%, Less interference
- 5KV Surge Protection
- Robust aluminium housing and strong tempered glass
- Vibration and shock resistant
- Low maintenance

Applications:



Oil & Gas Exploration



Drilling



Oil Refinery



Petrochemical Plant



Power Plant



Pharmaceutical Plant



ATEX Certified LED Worklight in Hazardous Area.

LED Flood platform light

Standard & Certificate:

Ex Mark:	Gas: Ⓜ II 2 G Ex db op is IIC T5 or T6 Gb Dust: Ⓜ II 2 D Ex tb op is IIIC T95°C or T80°C Db IP66
Certificate:	• ATEX Certification NO.:ECM 19 ATEX-B SU43 • CE • RoHS
Executive Standard:	• EN 60079-0:2018 • EN 60079-11:2012 • EN 60079-31:2014. • EN 60079-1:2014 • EN 60079-18:2015+ • IEC 60079-0:2018 • EN 60079-7:2015+ A1:2017 • IEC 60079-7:2015+A1:2018 • EN 60079-28:2015
Classification:	• Group II Zone 1 & 21 and 2 & 22

Electrical & Photometric Features:

Luminaire Efficacy:	90lm/W(Frosted)
Lifespan:	>50,000 hours
Operating Voltage:	100-277 VAC 141-392 VDC
Power(W):	12W/24W/35W
Frequency:	50/60Hz
Power Factor:	>0.98
THD:	<10%
Insulation Class:	I
Surge Protection:	5KV
LED Driver:	Over voltage protection/short circuit protection

Mechanical Features:

Weight:	3.2Kg
Size:	413*203*136mm
Ambient Temperature:	-40°C-+55°C
Connecting Terminals:	3*1.0-4mm ² (L+N+PE)
Cable Entries:	1XNPT 3/4" (M25*1.5 is optional)
Earthing Protection:	M4 (Internal & external earth bolts)
IP Code:	IP66
Enclosure Material:	Die-casting aluminium alloy
Enclosure Colour:	Orange,RAL2011(optional grey RAL7040)
Coating:	Epoxy powder coating
Exposed Fastener:	Stainless steel
Protective Cover:	Tempered glass,Stand 7J impact



ATEX Certified LED Worklight in Hazardous Area.

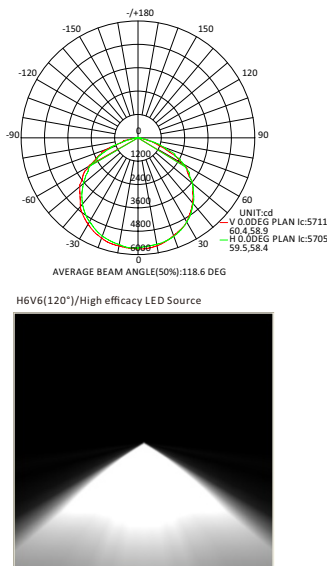
Production Definition

Ex	K	FIF	W	XX	XX	XX	XX	-X	-X	-X	
Type	Brand	Series	Type	Power	Input Voltage	Candela	Distribution	CCT(K)	Area	Color	Glas type
Ex-Explosion Proof			W-Worklight		Default-100-277 VAC				E- English		F-Frosted
	K-KHJ	FIF-FireFly		12-12W 24-24W 35-35W		H6V6(120°)	WM-3000±300K NH-4000±300K NH-5000±300K CH-5700±300K		Default-Orange G-Grey		

Ordering Information

P/N	Operating Voltage(V)	Luminous Flux(lm)	Power(W)	CRI	Color Temp.	CCT(K)	Temp. Classification
							-40°C~+55°C
Ex-KFIFW12H6V6WM-E-F	100~277 AC (141~392 DC)	900	12	80	Warm white	3000±300	T6
Ex-KFIFW12H6V6NH-E-F		1080	12	70	Natural white	4000±300	
Ex-KFIFW12H6V6NH-E-F		1080	12	70	Natural white	5000±300	
Ex-KFIFW12H6V6CH-E-F		1080	12	70	Cool white	5700±300	
Ex-KFIFW24H6V6WM-E-F		1800	24	80	Warm white	3000±300	
Ex-KFIFW24H6V6NH-E-F		2160	24	70	Natural white	4000±300	
Ex-KFIFW24H6V6NH-E-F		2160	24	70	Natural white	5000±300	T5
Ex-KFIFW24H6V6CH-E-F		2160	24	70	Cool white	5700±300	
Ex-KFIFW35H6V6WM-E-F		2625	35	80	Warm white	3000±300	
Ex-KFIFW35H6V6NH-E-F		3150	35	70	Natural white	4000±300	
Ex-KFIFW35H6V6NH-E-F		3150	35	70	Natural white	5000±300	
Ex-KFIFW35H6V6CH-E-F		3150	35	70	Cool white	5700±300	

Candela Distribution



Size

