



## LED Industrial Light

**CE & RoHS Certified LED Floodlight/bay light in Industrial Area.  
Brown Bear Series**

**CE RoHS**

[www.khjled.com](http://www.khjled.com)



## Features And Benefits:

- High efficacy LED Source with long lifespan >50,000 hours
- 5-year performance warranty
- Low THD around 10%, Less interference
- 5KV Surge Protection
- Robust aluminium housing and strong tempered glass
- Vibration and shock resistant
- Low maintenance

## Applications:



Cement plants



Warehouse



Factory



Power Generation



Power Transmission



Shipping industry

# CE RoHS

CE & RoHS Certified LED Floodlight/bay light in Industrial Area.

## LED Floodlight/Bay light

### Standard & Certificate:

|                     |  |        |
|---------------------|--|--------|
| Certificate:        | • CE   | • RoHS |
| Executive Standard: | • EN 55015, EN 61547, EN 61000-3-2, EN 61000-3-3<br>• EN 60598-1, EN 60598-2-5, EN 62031, EN 62493<br>• IEC 62321-4, IEC 62321-5, IEC 62321-6<br>• IEC 62321-7-1, IEC 62321-7-2, IEC 62321-8 |        |

### Electrical & Photometric Features:

|                     |  |
|---------------------|--|
| Luminaire Efficacy: | 142lm/W  |
| Lifespan:           | >50,000 hours                                    |
| Operating Voltage:  | 100-277 VAC<br>141-392 VDC                       |
| Power:              | 80W/100W/120W/150W                               |
| Frequency:          | 50/60Hz  |
| Power Factor:       | >0.98  |
| THD:                | <10%   |
| Insulation Class:   | I  |
| Surge Protection:   | 5KV(80W,100W)/10KV(120W,150W)                    |
| LED Driver:         | Over voltage protection/short circuit protection |

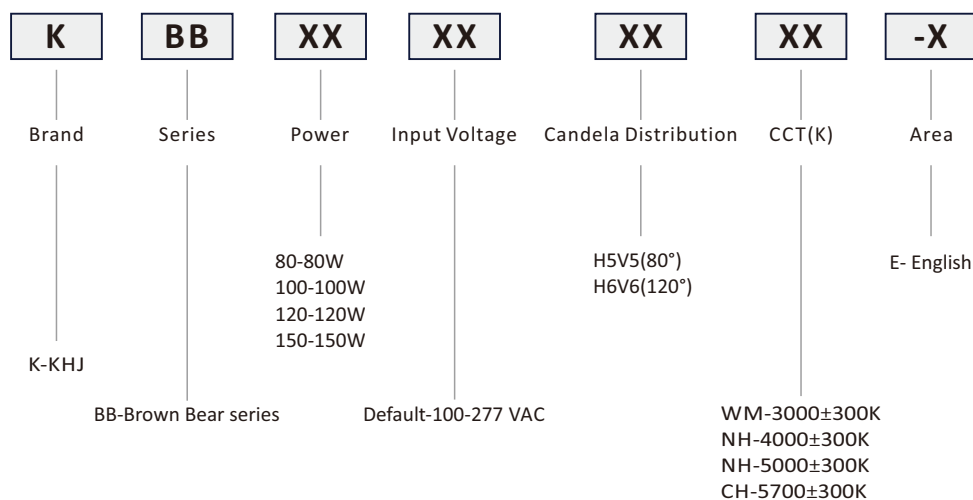
### Mechanical Features:

|                       |                                      |
|-----------------------|--------------------------------------|
| Weight:               | 10.5Kg                               |
| Size:                 | 336*336*163mm                        |
| Ambient Temperature:  | -40°C-+55°C                          |
| Connecting Terminals: | 3*1.0-4.0mm <sup>2</sup> (L+N+PE)    |
| Cable Entries:        | 2 x M25*1.5 (M20*1.5 is optional)    |
| Earthing Protection:  | M4 (Internal & external earth bolts) |
| IP Code:              | IP66                                 |
| Enclosure Material:   | Die-casting aluminium alloy          |
| Enclosure Colour:     | Grey RAL7040                         |
| Coating:              | Epoxy powder coating                 |
| Exposed Fastener:     | Stainless steel                      |
| Protective Cover:     | Tempered glass,Stand 7J impact       |

# CE RoHS

CE & RoHS Certified LED Floodlight/bay light in Industrial Area.

## Production Definition



## Ordering Information

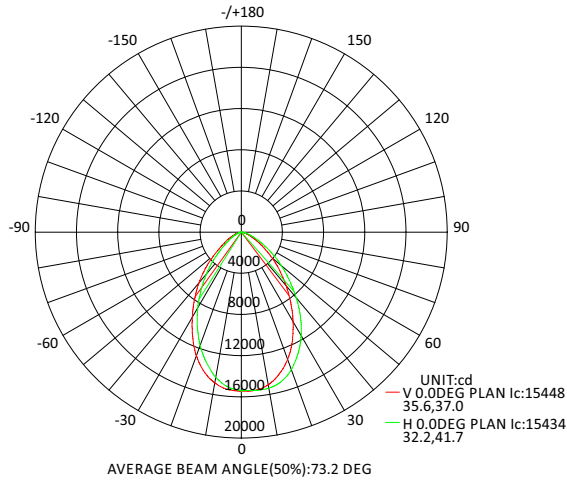
| P/N         | Operating Voltage(V)       | Luminous Flux(lm) | Power(W) | CRI | Color Temp.   | CCT(K)   |
|-------------|----------------------------|-------------------|----------|-----|---------------|----------|
| KBB80*WM-E  | 100-277 AC<br>(141-392 DC) | 10500             | 80       | 70  | Warm white    | 3000±300 |
| KBB80*NH-E  |                            | 11340             | 80       | 70  | Natural white | 4000±300 |
| KBB80*NH-E  |                            | 11340             | 80       | 70  | Natural white | 5000±300 |
| KBB80*CH-E  |                            | 11340             | 80       | 70  | Cool white    | 5700±300 |
| KBB100*WM-E |                            | 13125             | 100      | 70  | Warm white    | 3000±300 |
| KBB100*NH-E |                            | 14175             | 100      | 70  | Natural white | 4000±300 |
| KBB100*NH-E |                            | 14175             | 100      | 70  | Natural white | 5000±300 |
| KBB100*CH-E |                            | 14175             | 100      | 70  | Cool white    | 5700±300 |
| KBB120*WM-E |                            | 15750             | 120      | 70  | Warm white    | 3000±300 |
| KBB120*NH-E |                            | 17010             | 120      | 70  | Natural white | 4000±300 |
| KBB120*NH-E |                            | 17010             | 120      | 70  | Natural white | 5000±300 |
| KBB120*CH-E |                            | 17010             | 120      | 70  | Cool white    | 5700±300 |
| KBB150*WM-E |                            | 19687             | 150      | 70  | Warm white    | 3000±300 |
| KBB150*NH-E |                            | 21262             | 150      | 70  | Natural white | 4000±300 |
| KBB150*NH-E |                            | 21262             | 150      | 70  | Natural white | 5000±300 |
| KBB150*CH-E |                            | 21262             | 150      | 70  | Cool white    | 5700±300 |

Remarks: 1.\* Stands for beam angle,including H5V5 / H6V6;  
2.For Beam angle H5V5,the luminous flux will be 15% less;

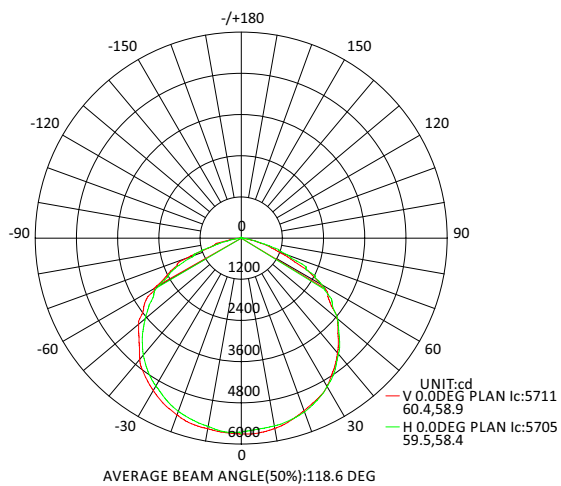
# CE RoHS

CE & RoHS Certified LED Floodlight/bay light in Industrial Area.

## Candela Distribution



H5V5(80°)/High efficacy LED Source



H6V6(120°)/High efficacy LED Source



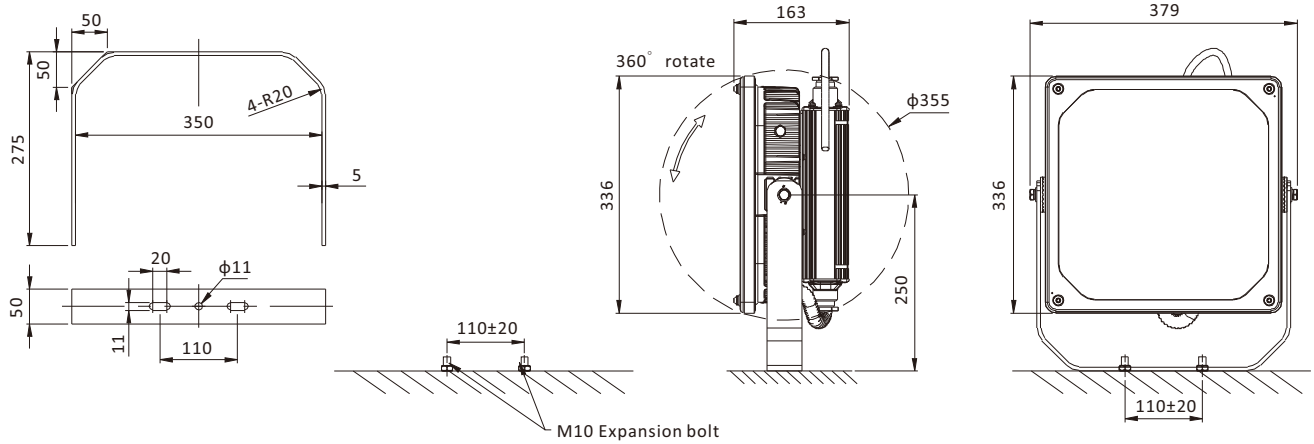
# CE RoHS

CE & RoHS Certified LED Floodlight/bay light in Industrial Area.

## Installation Method

### Stanchion Mount:

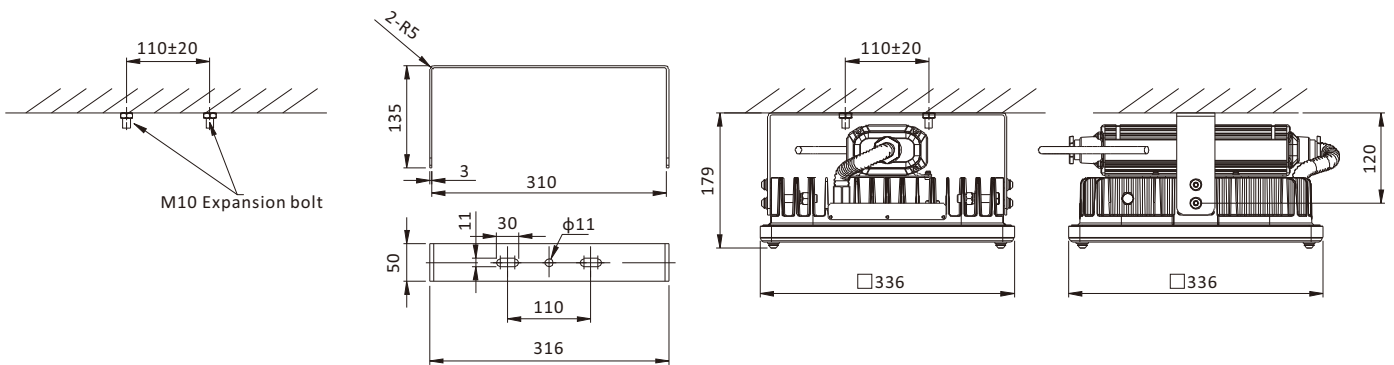
(unit:mm)



SBT-BB-G

### Ceiling Mount:

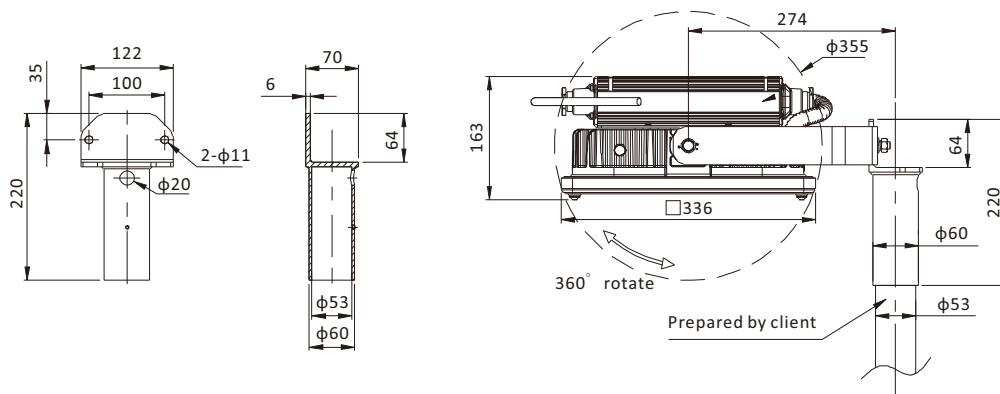
(unit:mm)



BR-BB-G

### Pole Mount:

(unit:mm)



SBT2-F-G+SBT-BB-G

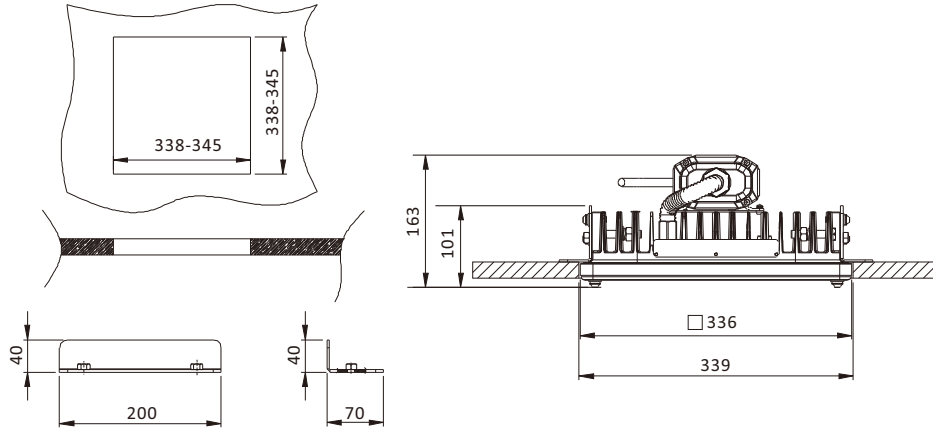
# CE RoHS

CE & RoHS Certified LED Floodlight/bay light in Industrial Area.

## Installation Method

Built-in Mount:

(unit:mm)



IB-BB-S

## Optional Parts

| No. | Installation accessories | Part No.             | Picture | Material | Weight(Kg) | QTY | Remark          |
|-----|--------------------------|----------------------|---------|----------|------------|-----|-----------------|
| 1   | Ceiling Bracket          | BR-BB-G              |         | Q235     | 1.2        | 1   | Ceiling mount   |
| 2   | Built-in Bracket         | IB-BB-S              |         | Q235     | 1          | 1   | Built-in mount  |
| 3   | Stanchion Bracket        | SBT-BB-G             |         | Q235     | 1.8        | 1   | Stanchion mount |
| 4   | Pole mount Bracket       | SBT-BB-G<br>SBT2-F-G |         | Q235     | 4.8        | 1   | Pole mount      |