



LED Explosion Proof Light

**ATEX & IECEx Certified LED Emergency Exit Light
in Hazardous Area.**

- ⚡ II 2 G Ex db IIB T6 Gb,
- ⚡ II 2 G Ex db IIB+H2 T6 Gb
- ⚡ II 2 D Ex tb IIIC T80°C Db





Features And Benefits:

- High efficacy LED Source with long lifespan >50,000 hours
- 3-year performance warranty
- Vibration and shock resistant
- Low maintenance
- Continuous light, with built-in maintenance-free battery pack, automatically charging, and automatically switch to battery power supply when power source cut off or in emergency situation.
- LED light source, low power consumption, long service life.

Applications:



Oil&Gas Exploration



Drilling



Oil Refinery



Petrochemical Plant



Power Plant



Pharmaceutical Plant



ATEX & IECEx Certified LED Emergency Exit Light in Hazardous Area.

Standard & Certificate:

Ex Mark:	Gas: Ⓜ II 2 G Ex db IIB T6 Gb, II 2 G Ex db IIB +H2 T6 Gb, Dust: Ⓜ II 2 D Ex tb IIIC T80°C Db
Certificate:	<ul style="list-style-type: none"> • ATEX Certification NO.: SEV 22 ATEX 0608X • IECEx Certification NO.: IECEx SEV 22.0013X • CE • RoHS
Executive Standard:	<ul style="list-style-type: none"> • IEC60079-0, • IEC60079-1, • IEC60079-31 • EN60079-0, • EN60079-1, • EN60079-31
Classification:	Group II, Zone 1 & 21 and 2 & 22

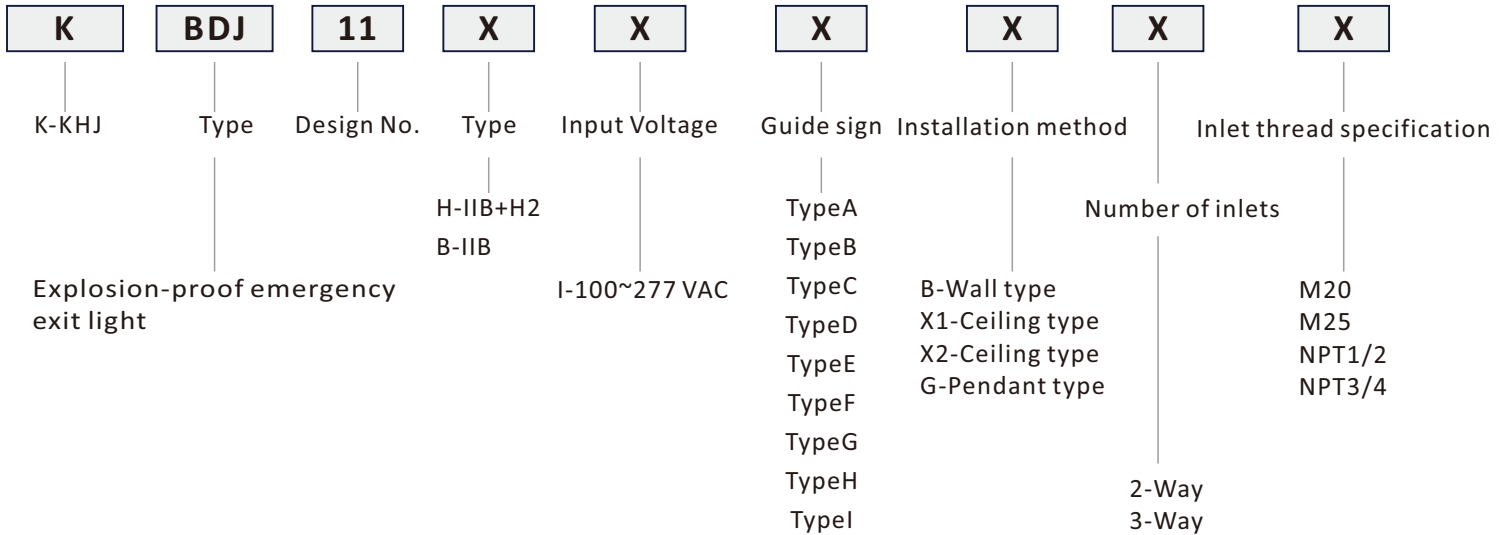
Electrical & Photometric Features:

Light source:	LED
Rated voltage:	100~277V AC
Emergency unit voltage:	DC3.0~3.5V
Emergency working time:	≤180 min
Charging time:	<24h
Frequency:	50/60Hz
Rated power:	≤6W

Mechanical Features:

Weight:	Wall type (B): 7kg, Ceiling type (X1): 6.6kg, Ceiling type (X2): 6.8kg, Pendant type (G): 6.6kg	
Size:	412*198*105mm	
Ambient Temperature:	-20°C~+55°C	
Connecting Terminals:	3X1.5~4mm ² (L+N+PE)	
Available cable outer diameter:	φ10-φ14(mm)	
Cable Entries:	NPT 3/4" (M20*1.5, M25*1.5, NPT1/2 are optional)	
IP Code:	IP66	
Structure Material	Enclosure	Aluminum alloy enclosure, powder coated, industrial grey with dark lines texture (RAL7035)
	Transparent cover	Tempered glass, resistant to 4J impact
	Guide sign	9 signs, and customizable
	Control module	With overcharge, overdischarge, short circuit protection and others.
	Self-check function	With self-checking function, automatic discharge once per month, emergency working for 120seconds, and automatically back to main power supply. Annual self-checking function, automatically switch to emergency state and run over the battery, then automatically back to main power supply and charge the battery. The fault will automatically alert with light and sound.
	Exposed fastener	Stainless steel

Product Definition



Guide sign



KBDJ11-*/A/*



KBDJ11-*/B/*



KBDJ11-*/C/*



KBDJ11-*/D/*



KBDJ11-*/E/*



KBDJ11-*/F/*



KBDJ11-*/G/*

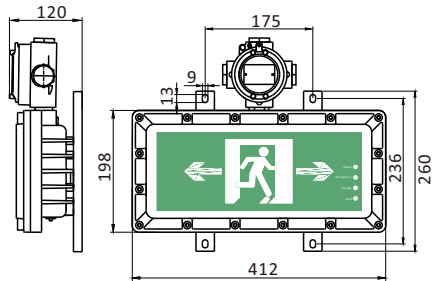


KBDJ11-*/H/*

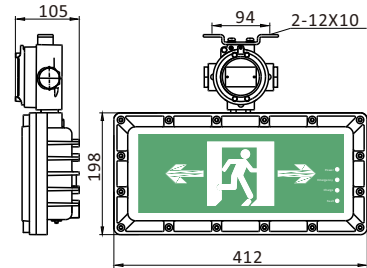


KBDJ11-*/I/*

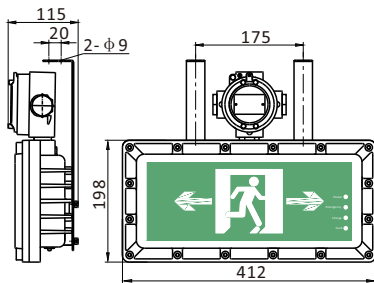
Outline and Installation (mm)



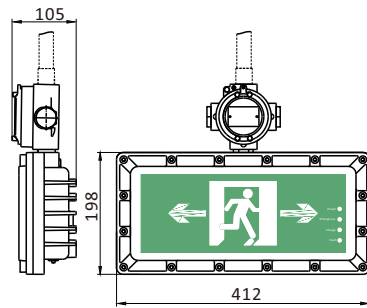
Wall type (B) WS-BDJ11-B



Ceiling type (X1) BR-BDJ11-X1



Ceiling type (X2) BR-BDJ11-X2



Pendant type (G) PCR-F-N/PCR-F-M