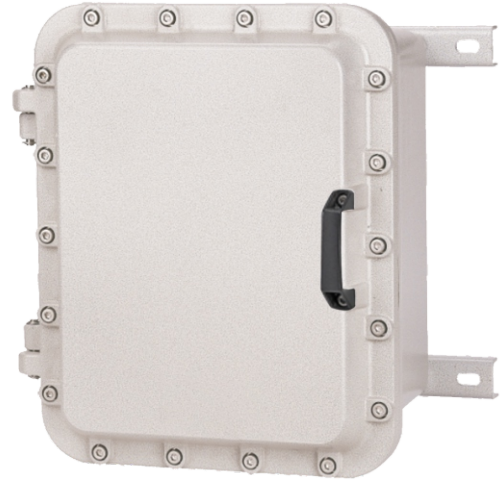


Explosion-proof Electrical Apparatus (Terminal Box)

KDP11 - Series

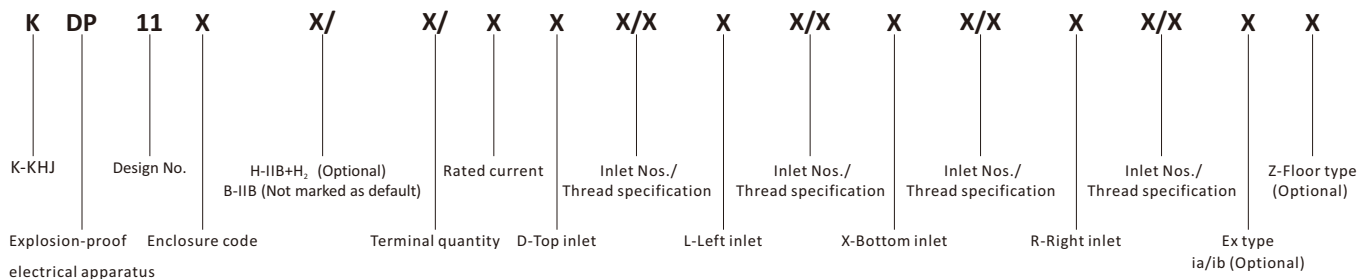
- II 2 G Ex db IIB T6/T5/T4 Gb
- II 2 G Ex db IIB+H₂ T6/T5/T4 Gb
- II 2 D Ex tb IIIC T80/T95/T130°C Db



1. Application and Features

- Explosion proof certificates
 - ATEX : TPS 22 ATEX 114950 0003 X
 - IECEx : IECEx TPS 22.0025X
- Application in hazardous area
Zone 1 and Zone 2,
Zone 21 and Zone 22
- Three types of explosion protection (Ex db IIB, Ex db IIB+H₂, Ex tb IIIC).
- Aluminum alloy enclosure, power coated.
- Equipped with hinges and door handle, easy to installation and maintenance, also protect the flameproof surface from damage when the cover is opening or closing.
- Can be customized upon request and able to meet the usage restrictions of the certificate
- The circuit breaker using metal handle with frozen-resistant and can be equipped with a padlock.
- Direction, size and quantity of cable entry can be customized and meet the requirements of dissipated power and mechanical strength of the enclosure.

2. Product definition



3. Technical Parameter

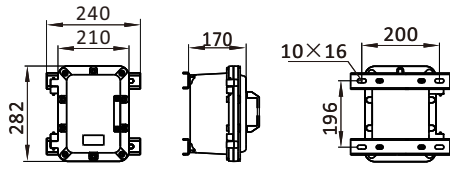
Ex marking	Gas	⊕ II 2 G Ex db IIB T6/T5/T4 Gb		Ex db IIB T6/T5/T4 Gb					
		⊕ II 2 G Ex db IIB+H ₂ T6/T5/T4 Gb		Ex db IIB+H ₂ T6/T5/T4 Gb					
	Dust	⊕ II 2 D Ex tb IIIC T80/T95/T130°C Db		Ex tb IIIC T80/T95/T130°C Db					
Executive standards		IEC 60079-0, IEC 60079-1, IEC 60079-31 EN 60079-0, EN 60079-1, EN 60079-31							
Enclosure material	Enclosure	Aluminum alloy enclosure, powder coated, industrial gray with dark lines texture(RAL7035)							
Exposed fastener		Stainless steel							
Components	Brand of terminal	International brand							
Rated voltage		Max. 1000V AC, 1500V DC							
Rated current		Max. 1200A							
Frequency		50Hz/60Hz							
Maximum dissipation power	Enclosure size	Type	Ta:+60°C		Ta:+40°C			Weight of empty enclosure	
			T6/T80°C		T5/T95°C		T4/T130°C		
			Power	Rated current	Power	Rated current	Power		Rated current
	282X210X170	03	45W	≤63A	110W	--	110W	--	9.0kg
	350X210X170	07	45W	63A~100A	80W	--	139W	--	11.5kg
	350X300X235	08	45W	63A~100A	80W	--	139W	--	16.6kg
	433X350X280	11	100W	100A~250A	288W	--	288W	--	26kg
	563X433X280	15	130W	250A~400A	365W	400A~800A	365W	800A~1200A	48kg
720X563X280	19	200W	250A~400A	448W	400A~800A	448W	800A~1200A	85kg	
720X563X350	21	210W	250A~400A	690W	400A~800A	690W	800A~1200A	95kg	
Degree of protection		03,07,08,11,15--IP66/IP67 19,21--IP66							
Ambient temperature		-20°C~+40/60°C, -40°C~+40/60°C							
Cable entries		Standard M16×1.5-M63×1.5(Upon request),NPT thread (Optional), KBM Series Explosion-proof Cable Glands is recommended							
Inlet direction		Upon request							
Installation Method		Hanging type (Standard)							
		Floor type (Optional)							

4. Selection Table (mm)

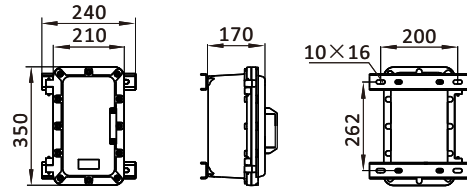
Maximum quantity of terminals that can be installed are shown in the table below:

Enclosure specifications	Guideway×Terminal (specification and quantity)										
	2.5 ²	4 ²	6 ²	10 ²	16 ²	35 ²	70 ²	120 ²	185 ²	240 ²	300 ²
	UK3N	UK5N	UK6N	UK10N	UK16N	UK35N	—	—	—	—	—
	SAK2.5EN	SAK4EN	SAK6EN	SAK10EN	SAK16EN	SAK35EN	—	—	—	—	—
03 	1X23	1X21	1X18	1X14	1X12	—	—	—	—	—	—
07 	1X31	1X29	1X24	1X19	1X16	—	—	—	—	—	—
08 	1X32	1X30	1X25	1X20	1X18	—	—	—	—	—	—
11 	1X45	1X40	1X34	1X28	1X24	1X16	—	—	—	—	—
	2X45	2X40	2X34	2X28	—	—	—	—	—	—	—
15 	1X60	1X54	1X48	1X36	1X30	1X20	—	—	—	—	—
	2X60	2X54	2X48	2X36	2X30	—	—	—	—	—	—
19 	1X90	1X80	1X70	1X60	1X40	1X25	1X25	1X14	1X10	1X8	1×X5
	2X90	2X80	2X70	2X60	2X40	—	—	—	—	—	—
21 	1X90	1X80	1X70	1X60	1X40	1X25	1X25	1X14	1X10	1X8	1X5
	2X90	2X80	2X70	2X60	2X40	—	—	—	—	—	—

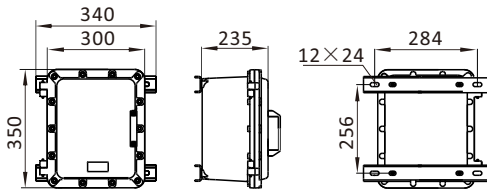
5. Outline and Installation(mm)



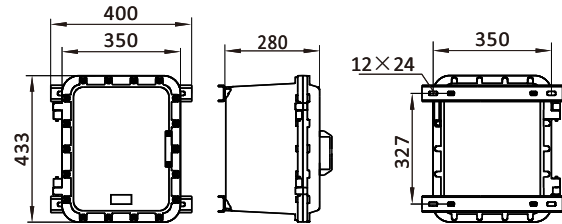
Enclosure 03



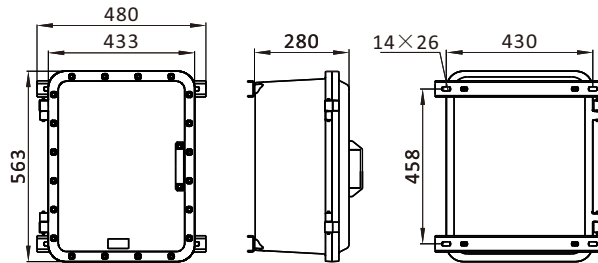
Enclosure 07



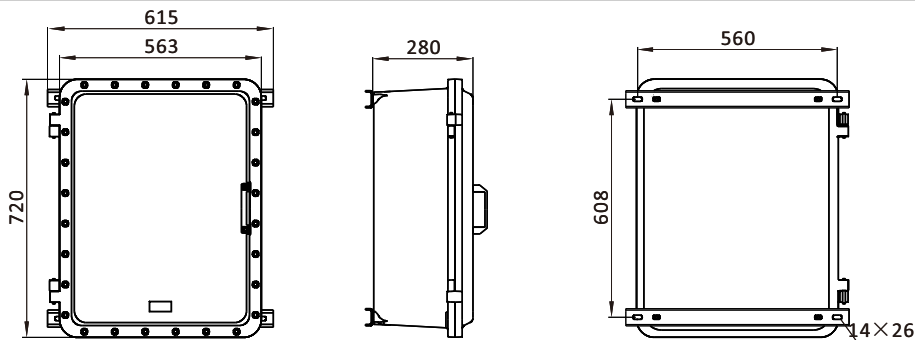
Enclosure 08



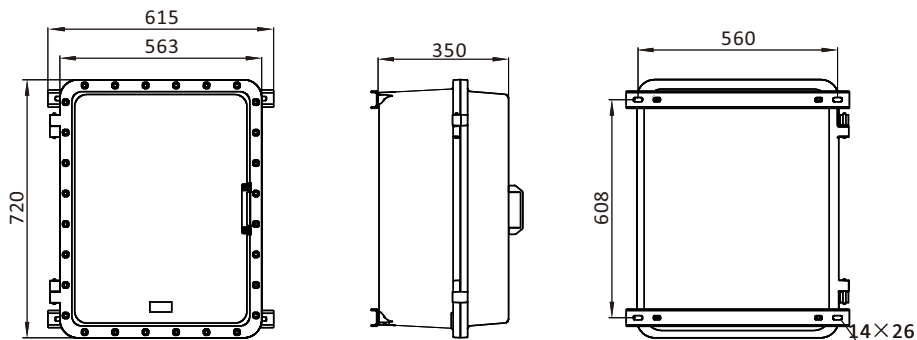
Enclosure 11



Enclosure 15



Enclosure 19



Enclosure 21