

Explosion-proof Cable Glands(Compound Barrier, Armoured, Unarmoured)

KBM-17,18 Series

- II 2 G Ex db IIC Gb
- II 2 G Ex eb IIC Gb
- II 3 G Ex nR IIC Gc
- II 2 D Ex tb IIIC Db



KBM-17

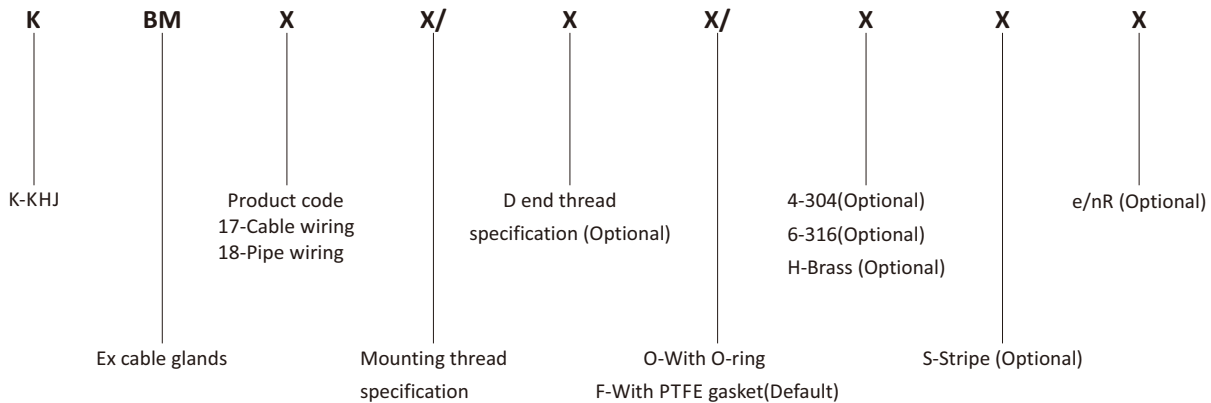


KBM-18

1. Application and Features

- Explosion proof certificates
 - ATEX: TPS 22 ATEX 114950 0001 X
 - IECEx: ECEX TPS 22.0023X
- Application in hazardous area
 - Zone 1 and Zone 2,
 - Zone 21 and Zone 22
- Flame-proof (Type 'd'), Increased safety (Type 'e'), restricted breathing (Type 'nR'), combustible dust (Type 'tb') structure.
- Single seal compound barrier for unarmoured cables.
- Can be installed on Ex i (intrinsic safety type) equipment.

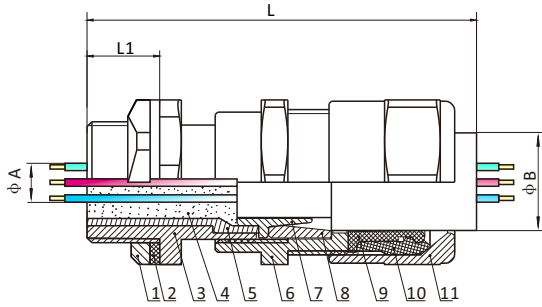
2. Product Definition



3. Technical Parameter

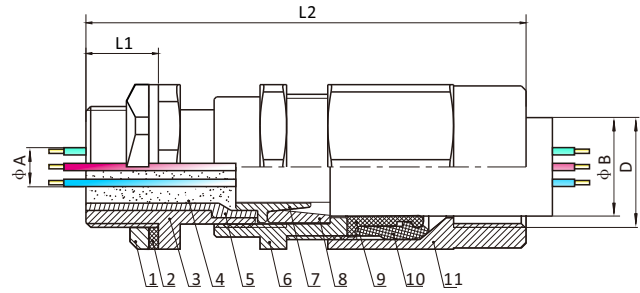
Explosion protection	Ex marking	II 2 G Ex db IIC Gb	Ex db IIC Gb
		II 2 G Ex eb IIC Gb	Ex eb IIC Gb
		II 3 G Ex nR IIC Gc	Ex nR IIC Gc
		II 2 D Ex tb IIIC Db	Ex tb IIIC Db
Executive standards		IEC60079-0,IEC60079-1,IEC60079-7,IEC60079-15,IEC60079-31 EN60079-0, EN60079-1, EN60079-7, EN60079-15, EN60079-31	
Material		Stainless steel, nickel plated brass, brass, etc.	
Degree of protection		IP66	
Ambient temperature		-43°C~+100°C, -60°C~+100°C (Please specify when ordering)	
Connection thread		NPT thread, Metric thread (M)	

4. Outline and Installation(mm)



KBM-17

- 1.Locknut
- 2.Sealing washer
- 3.Inlet connector
- 4.AB Type cement
- 5.Flame-proof sleeve
- 6.Middle connector
- 7.Armour cone
- 8.Clamping ring
- 9.Sealing ring
- 10.Sealing ring loop
- 11.Compression nut



KBM-18

- 1.Locknut
- 2.Sealing washer
- 3.Inlet connector
- 4.AB Type cement
- 5.Flame-proof sleeve
- 6.Middle connector
- 7.Armour cone
- 8.Clamping ring
- 9.Sealing ring
- 10.Sealing ring loop
- 11.Compression nut

Mounting thread		Cable outer diameter (mm)		Thread length L1(mm)	Length L (mm)	Length L2 (mm)	KBM-17 Weight (kg)	KBM-18 Weight (kg)
M	NPT	Outlet A	Inlet B					
M16×1.5	—	3~8	5.5~12	15	71.5	86.5	0.18	0.19
M20×1.5A	NPT1/2A	3~8	5.5~12	15	71.5	86.5	0.18	0.19
M20×1.5	NPT1/2	6.5~10	9.5~16	15	71.5	86.5	0.18	0.20
M25×1.5A	NPT3/4A	6.5~10	9.5~16	15	71.5	86.5	0.22	0.24
M25×1.5	NPT3/4	10~13	12.5~20.5	15	76.5	91.5	0.28	0.30
M32×1.5A	NPT1A	10~13	12.5~20.5	20	81.5	96.5	0.36	0.39
M32×1.5	NPT1	12.5~18.5	17~26	20	84.5	99.5	0.40	0.43
M40×1.5A	NPT1 1/4A	12.5~18.5	17~26	20	84.5	99.5	0.78	0.82
M40×1.5	NPT1 1/4	19~24.5	22~33	20	88.5	103.5	0.72	0.76
M50×1.5A	NPT1 1/2A	19~24.5	22~33	20	88.5	103.5	1.15	1.20
M50×1.5	NPT1 1/2	25~30	28~41	20	94	109	1.09	1.14
M63A	NPT2A	25~30	28~41	20	94	109	1.24	1.30
M63	NPT2	31~37	36~46	20	105.5	120.5	1.44	1.50
M63C	NPT2C	31~37	41~52.6	20	105.5	120.5	1.42	1.48

- Note:** 1. Locknut and sealing washer (PTFE washer) are supplied for Ex e, n, t type products,
 Without lock nut when delivery for Ex d type. Above weight is based on nickel plated brass material.
 2. Earth lug and shroud are on request.
 3. The standard pitch of metric thread products is 1.5mm, other pitches can be customized, please specify when ordering.