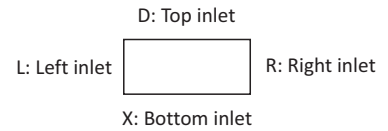
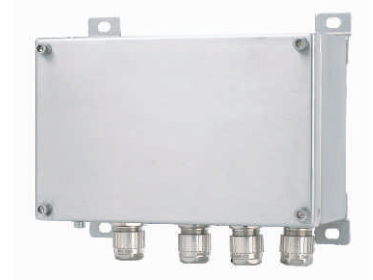


Explosion - proof Terminal Box

KBH02-S Series

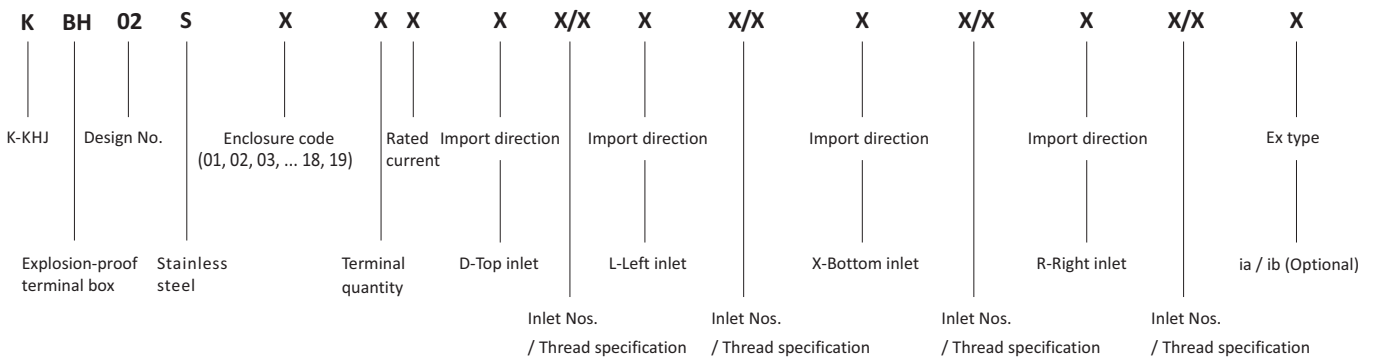
- II 2 G Ex eb IIC T6/T5/T4 Gb
- II 1 G Ex ia IIC T6 Ga
- II 2 G Ex ia IIC T6 Gb
- II 2 D Ex tb IIIC T80/T95/T130°C Db



1. Application and Features





- Explosion proof certificates
 - ATEX : EPT 22 ATEX 4939 / EPT 22 ATEX 4938X
 - IECEx : IECEx EUT 22,0002 / IECEx EUT 22,0003
- Application in hazardous area
 - Zone 0,
 - Zone 1 and Zone 2,
 - Zone 21 and Zone 22
- Stainless steel enclosure, three types of explosion protection(Ex eb, Ex ia, Ex tb IIIC), which can meet the requirements of various places.
- There are 19 types of enclosure specifications, the current, the number of terminals, the size and direction of the entry can be customized upon request.
- Stainless steel exposed fastener, anti dropping structure, easy installation and maintenance.

2. Product Definition



Note: Please confirm the quantity, specification, and direction (position) of cable entry holes, if that is needed.
 No cable gland as default when delivery, which is supplied by users.
 Pls specify the required quantity, specification and position of the cable entries.

3. Technical Parameter

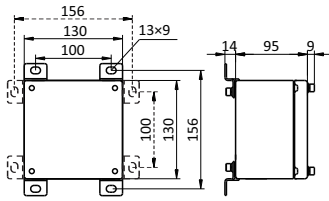
Ex marking	Gas	 II 2 G Ex eb IIC T6/T5/T4 Gb	Ex eb IIC T6/T5/T4 Gb						
		 II 1 G Ex ia IIC T6 Ga	Ex ia IIC T6 Ga						
		 II 2 G Ex ia IIC T6 Gb	Ex ia IIC T6 Gb						
	Dust	 II 2 D Ex tb IIIC T80/T95/T130°C Db	Ex tb IIIC T80/T95/T130°C Db						
Executive Standard		IEC 60079-0, IEC 60079-7, IEC 60079-11, IEC 60079-31 EN 60079-0, EN 60079-7, EN 60079-11, EN 60079-31							
Enclosure material		Stainless steel							
Brand of terminal		International brand							
Exposed fastener		Stainless steel							
Rated voltage	Ex e,Ex tb	Max. 690V AC, 250V DC							
	Ex i, Ex tb	Max. AC/DC36V							
Rated current		1.5mm ²	2.5mm ²	4mm ²	6mm ²	10mm ²	16mm ²	35mm ²	50mm ²
	Ex e,Ex tb	-	10A	16A	25A	40A	50A	100A	142A
	Ex i, Ex tb	5A	-	-	-	-	-	-	-
Degree of protection		IP66							
Ambient temperature	Ex e,Ex tb	-40°C ~+40/55°C							
	Ex i, Ex tb	-40°C ~+40/45/55/60°C							
Cable gland		KBM Series Explosion-proof Cable Glands are recommended.							

4. Selection Table

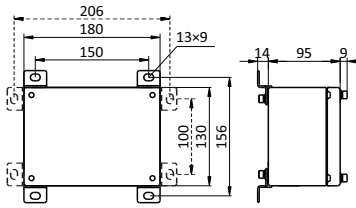
The maximum terminal cross-section is 35mm², and the maximum quantity of terminals that can be installed are shown in the table below.

Enclosure specification	Guideway×Terminal (specification and quantity)						Outlet direction	Available maximum cable entries quantity							Weight (kg)
	2.5 ²	4 ²	6 ²	10 ²	16 ²	35 ²		M16	M20	M25	M32	M40	M50	M63	
	UK3N	UK5N	UK6N	UK10N	UK16N	UK35N									
SAK2.5EN	SAK4EN	SAK6EN	SAK10EN	SAK16EN	SAK35EN										
01 	1×14	1×12	1×9	—	—	—	D/X	8	6	5	3	2	1	—	1.3
							L/R	8	6	5	3	2	1	—	
02 	1×21	1×18	1×13	1×11	1×8	—	D/X	12	10	8	4	3	2	—	1.9
							L/R	8	6	5	3	2	1	—	
03 	1×27	1×23	1×18	1×14	1×12	1×9	D/X	16	12	10	4	3	3	—	3.1
							L/R	10	8	8	3	2	2	—	
04 	2×27	2×23	1×18	1×14	1×12	1×9	D/X	16	12	10	4	3	3	—	4.0
							L/R	16	12	10	4	3	3	—	
05/06 	1×37	1×31	1×25	1×20	1×18	1×11	D/X	18/36	16/21	14/21	5/10	4/8	4/6	--/4	4.5 /5.5
							L/R	12/24	10/15	8/12	3/6	3/4	2/3	--/2	
07/08 	2×37	2×31	1×25	1×20	1×18	1×11	D/X	18/36	16/21	14/21	5/10	4/8	4/6	--/4	6.5 /7.5
							L/R	16/32	14/21	12/18	5/10	4/6	3/5	--/3	
09/10 	2×52	2×43	1×33	1×25	1×22	1×18	D/X	24/48	20/30	18/27	7/14	5/10	4/8	--/5	8.5 /9.5
							L/R	18/36	16/21	14/21	5/10	4/8	4/6	--/4	
11/12/13 	3×52	3×43	2×33	2×25	2×22	1×18	D/X	24/48/66	20/30/50	18/27/35	7/14/28	5/10/15	4/8/12	--/5/8	10.8 /11.8 /12.8
							L/R	24/48/66	20/30/50	18/27/35	7/14/28	5/10/15	4/8/12	--/5/8	
14/15 	6×52	6×43	2×66	2×50	2×44	1×36	D/X	48/92	40/60	36/54	14/28	10/20	8/10	--/8	17.5 /18.5
							L/R	24/48	20/30	18/27	7/14	5/10	4/8	--/5	
16/17 	6×52	6×43	2×66	2×50	2×44	1×36	D/X	138/161	100/120	83/102	42/56	30/40	20/25	15/20	21/22
							L/R	66/77	50/60	27/54	28/30	15/20	12/16	8/10	
18/19 	12×52	12×43	12×66	4×50	4×44	3×36	D/X	92/161	60/120	54/102	28/56	20/40	10/25	8/20	29/31
							L/R	92/161	60/120	54/102	28/56	20/40	10/25	8/20	

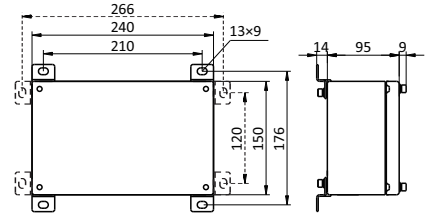
5. Outline and Installation(mm)



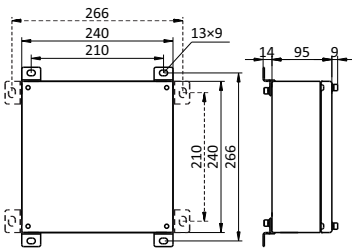
Enclosure 01



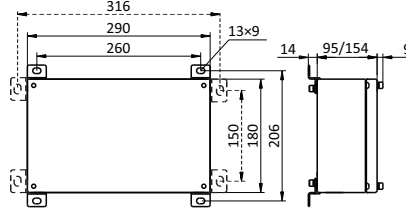
Enclosure 02



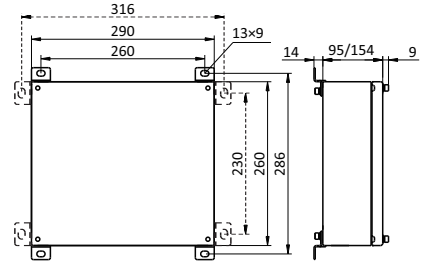
Enclosure 03



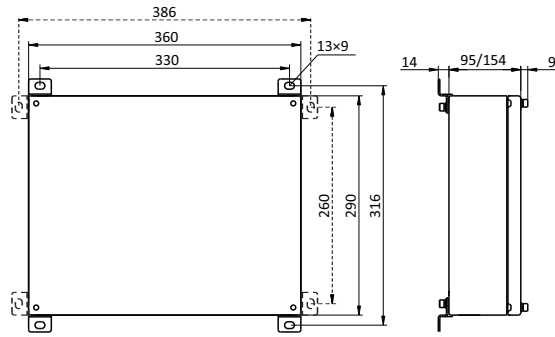
Enclosure 04



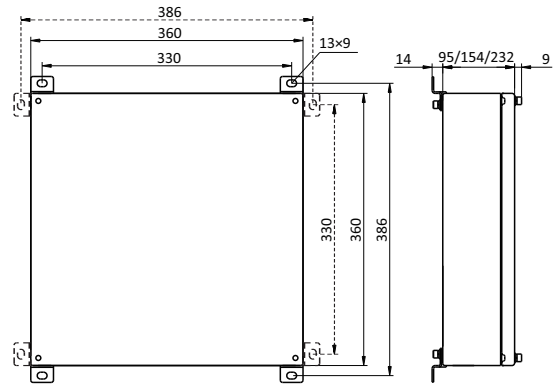
Enclosure 05/06



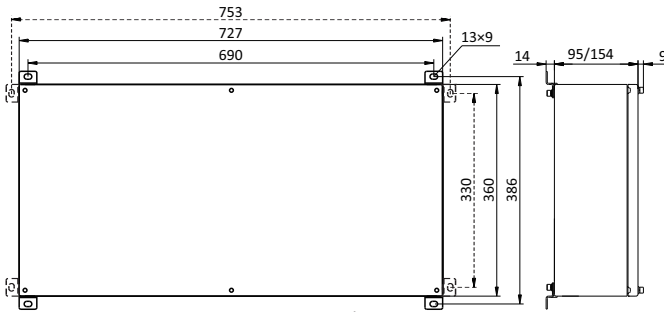
Enclosure 07/08



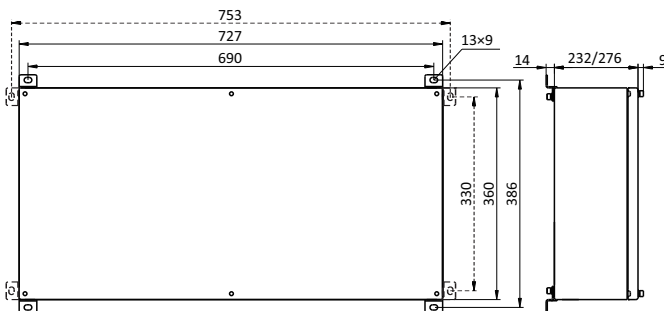
Enclosure 09/10



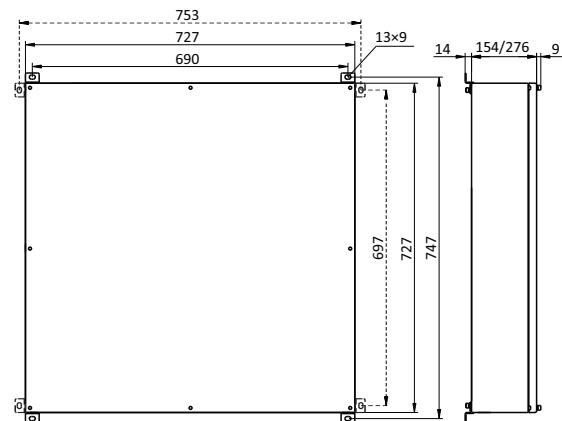
Enclosure 11/12/13



Enclosure 14/15



Enclosure 16/17



Enclosure 18/19