

Operation & Maintenance Manual

KMickeyMouse Series-V0



1. Brief Introduction

1.1. LED source, aluminium alloy explosion proof enclosure. Small size, high safety and stability.

2. Application

- 2.1. Suitable for oil exploration, oil refining, chemical, military and other hazardous applications use as emergency lighting, and as evacuation lamp after a sudden, accidental power outage, power outages .
- 2.1.1. Petroleum industry, petrochemical industry, metallurgy industry, power generation industry , fire protection.
- 2.2.2. Drilling site, combination station, oil refinery as emergency lighting.
- 2.2. Ambient temperature from -20℃ to 40℃.

3. Executive standard

- 3.1. EN 60079-0 Explosive atmospheres-Part 0:
Equipment-General requirements
- 3.2. EN 60079-1 Explosive atmospheres-Part 1:
Equipment protection by flameproof enclosures "d"

4. Product certification

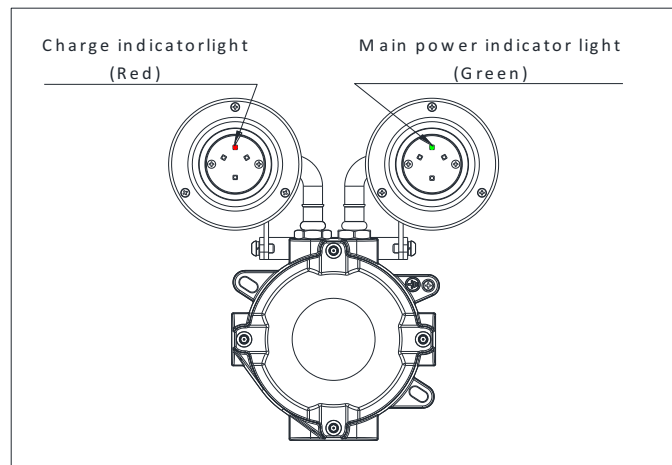
- 4.1. ATEX, CE and RoHS.

5. Caution

- 5.1. This product should be installed and maintained by qualified electrician only.
- 5.2. Do not operate in ambient temperatures above those indicated on the nameplate.
- 5.3. Repair of the flameproof joint must be made in compliance with the structural specifications provided by the manufacturer.
- 5.4. Make sure the electrical power is OFF before making installation and maintenance.
- 5.5. Do not open when energized.
- 5.6. After de-energizing, delay 10 minutes before opening.
- 5.7. Battery should be recycled according to local battery disposal guide.
- 5.8. Typically full discharging and charging once every half a year.
- 5.9. The battery should be discharged to 50%~60% of its rated capacity before shipment.

6. Functions and Status

6.1. Structure Schematic Drawing

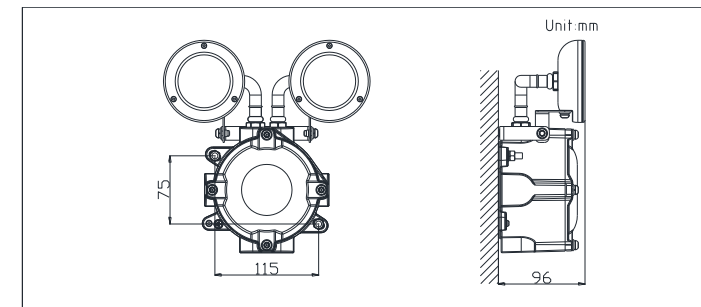


6.2. Indicator light status explain

Indicator Light Mode	Type	
Main power indicator light (Green): Turn on	power supply is normal	
Main power indicator light (Green): Turn off	No AC power	
Charge indicatorlight (Red) : Turn on	charging status	When connected to the Mains supply, lamp can automatically detects battery power and decide whether to charge according to the power, charge current and charge time, to charge the battery in the best way.
Charge indicatorlight (Red) : Turn off	Battery full	
Main power indicator light (Green), Charge indicatorlight (Red) : Turn off	Emergency mode	

7. Installation method

7.1. This series products have Installation methods : Wall mount

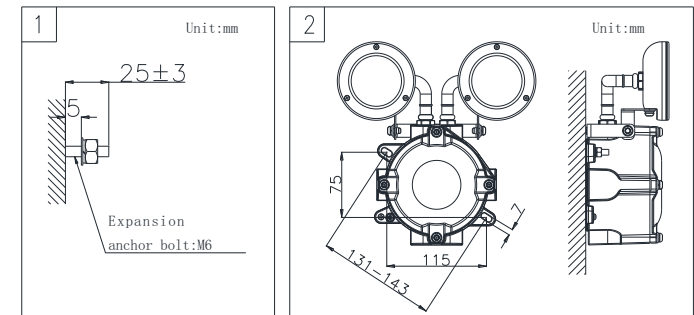


7.2. Select the right installation method as needed. make related M12 expansion anchor bolts according to different hole location.

7.3. Install the light with flat washer, lock washer and bolt nut to the expansion anchor bolts.

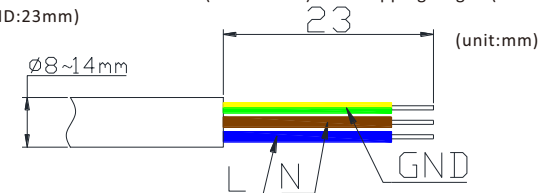
Installation steps:

Individual tips of each installation method:

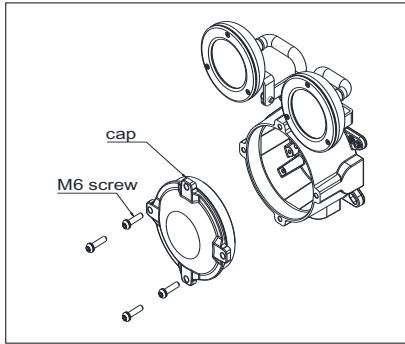


7.4. Connect to power:

7.4.1. Use suitable three core cable (OD8-14mm) with stripping length (L:23mm, N:23mm, GND:23mm)

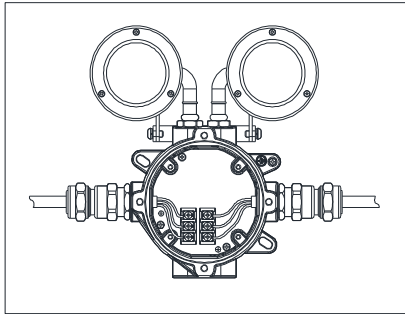


7.4.2.Remove 4pcs M6 screws with hex wrench and open the side cover.

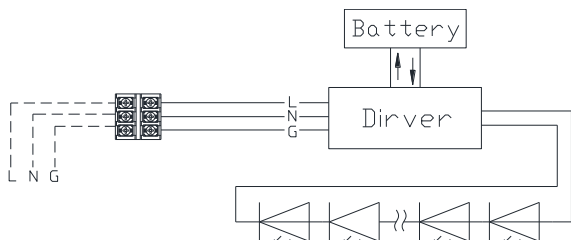


7.4.3.Remove the gland nut, loosen the screws and wire clips.

7.4.4.Put the cable through nut, flat washer, rubber seal and flat washer to the cable terminal.



7.4.5.Connect wire L and N to the right terminals, fix the ground wire to the Grounding mark in the terminal compartment.



- ① The dotted line parts "L" live wire, "N" Neutral wire, "G" earth wire are three core cables already installed well.
- ② The solid line parts also well connected. if any failure, please check according to this drawing.

7.4.6.Fix the terminal compartment cover back and fasten the gland nut.

7.4.7.Connect the ground pole with screws as remarked,and fasten it.

7.4.8.Fix this luminaire in right place and connect to the AC power.

8.Operation

8.1.After installation, the luminaire will work while connecting to AC power.

8.2.The main power switch of the lamp should be individually. by-pass any ordinary lamps or other electrical equipment control.

8.3. The lamp uses nickel-cadmium batteries. Before using should charge lamps for about 20 hours,if the emergency lighting time is not up to standard requirement. The lamps should be fully charge and discharge three times to make the battery internal chemical substance to meet the requirements after activation.

8.4.After each use, should recharge the battery. When the battery is discharged and unuse for a long time (for more than 5 days),then battery life will be affected if not replenish in time.

8.5.If the lamp fails, it should repaired immediately. The defective lamps shall not be used.

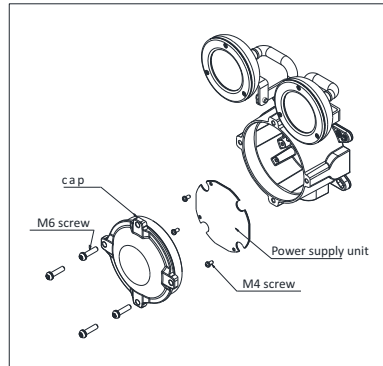
9.Maintenance

9.1Power supply replacement:

9.1.1.Loosen and remove the 4 piece of M6 screws with 4mm hex key andremove the head cover.

9.1.2.Loosen and remove 3 piece of screws of power supply with Cross screwdriver, take off the power supply, and replace a new power supply.

9.1.3.Solder the input and output cables to the new power supply and put it into the lighting fixture. Then fix the rear cover.



10.Optional Parts

NO.	Name	Qty/luminaire	Remark
1	Power Supply	1	Ac100~277V

11.Malfunction Diagnosis and Correction

Malfunction Diagnosis	Analysis	Correction
Fail to work	No power	Check the circuit
	Driver damaged	Replace LED driver in secure condition
	LED damaged	Repalce LED in secure condition
	not work at emergency mood	ow battery
Other problems		Contact service center