



## LED Industrial Light

**CE & RoHS Certified LED Linear light in Industrial Area.  
Swordfish Series**

**CE RoHS**

[www.khjled.com](http://www.khjled.com)





## Features And Benefits:

- High efficacy LED Source with long lifespan >50,000 hours
- 5-year performance warranty
- Low THD around 10%, Less interference
- 5KV Surge Protection
- Robust aluminium housing and strong tempered glass
- Vibration and shock resistant
- Low maintenance

## Applications:



Cement plants



Warehouse



Factory



Power Generation



Power Transmission



Shipping industry

# CE ROHs

CE & RoHS Certified LED Linear light in Industrial Area.

## LED Linear light

### Standard & Certificate:

Certificate:	• CE	• RoHS	• ABS
Executive Standard:	• EN 55015, EN 61547, EN 61000-3-2, EN 61000-3-3, • EN 60598-1, EN 60598-2-5, EN 62031, EN 62493, • IEC 62321-4, IEC 62321-5, IEC 62321-6, • IEC 62321-7-1, IEC 62321-7-2, IEC 62321-8		

### Electrical & Photometric Features:

Luminaire Efficacy:	136.5lm/W
Lifespan:	>50,000 hours
Operating Voltage:	100-277 VAC/24-48 VAC 10-30 VDC/24-48 VDC/141-392 VDC
Power:	18W/36W/48W/56W/72W
Frequency:	50/60Hz
Power Factor:	>0.98
THD:	<10%
Insulation Class:	I
Surge Protection:	5KV
LED Driver:	Over voltage protection/short circuit protection

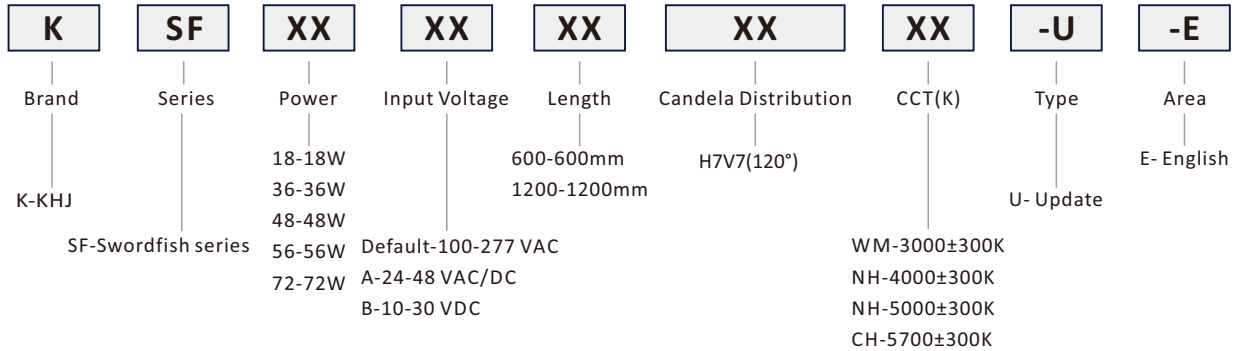
### Mechanical Features:

Weight:	6.9Kg(0.6m)/11.5Kg(1.2m)
Size:	600*136*124mm(18W/36W/48W)/1200*136*124mm(36W/48W/56W/72W)
Ambient Temperature:	-20°C-+55°C
Connecting Terminals:	3*1.0-4.0mm <sup>2</sup> (L+N+PE)
Cable Entries:	2XM25*1.5(NPT 3/4", M20*1.5 are optional)
Earthing Protection:	M4 (Internal & external earth bolts)
IP Code:	IP66
Enclosure Material:	Copper-free Aluminium
Enclosure Colour:	Grey RAL7040
Coating:	Epoxy powder coating
Exposed Fastener:	Stainless steel
Protective Cover:	Tempered glass,Stand 7J impact

# CE ROHs

CE & RoHS Certified LED Linear light in Industrial Area.

## Production Definition



## Ordering Information

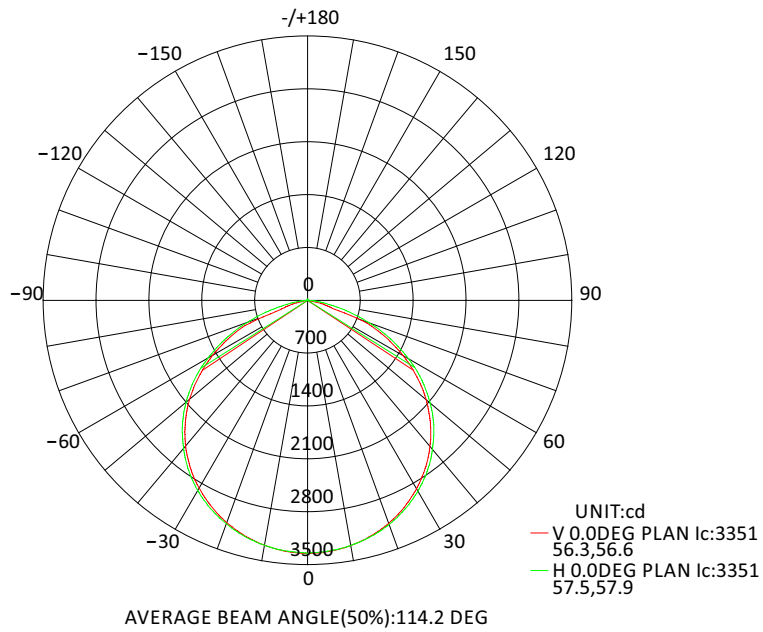
P/N	Operating Voltage(V)	Luminous Flux(lm)	Power(W)	CRI	Color Temp.	CCT(K)
KSF18*600H7V7WM-U-E	100-277 AC (141-392 DC)	2268	18	82	Warm white	3000±300
KSF18*600H7V7NH-U-E		2457	18	70	Natural white	4000±300
KSF18*600H7V7NH-U-E		2457	18	70	Natural white	5000±300
KSF18*600H7V7CH-U-E		2457	18	70	Cool white	5700±300
KSF36*600H7V7WM-U-E		4536	36	82	Warm white	3000±300
KSF36*600H7V7NH-U-E		4914	36	70	Natural white	4000±300
KSF36*600H7V7NH-U-E		4914	36	70	Natural white	5000±300
KSF36*600H7V7CH-U-E		4914	36	70	Cool white	5700±300
KSF48*600H7V7WM-U-E		6048	48	82	Warm white	3000±300
KSF48*600H7V7NH-U-E		6552	48	70	Natural white	4000±300
KSF48*600H7V7NH-U-E		6552	48	70	Natural white	5000±300
KSF48*600H7V7CH-U-E		6552	48	70	Cool white	5700±300
KSF36*1200H7V7WM-U-E		4536	36	82	Warm white	3000±300
KSF36*1200H7V7NH-U-E		4914	36	70	Natural white	4000±300
KSF36*1200H7V7NH-U-E		4914	36	70	Natural white	5000±300
KSF36*1200H7V7CH-U-E		4914	36	70	Cool white	5700±300
KSF48*1200H7V7WM-U-E		6048	48	82	Warm white	3000±300
KSF48*1200H7V7NH-U-E		6552	48	70	Natural white	4000±300
KSF48*1200H7V7NH-U-E		6552	48	70	Natural white	5000±300
KSF48*1200H7V7CH-U-E		6552	48	70	Cool white	5700±300
KSF56*1200H7V7WM-U-E		7056	56	82	Warm white	3000±300
KSF56*1200H7V7NH-U-E		7644	56	70	Natural white	4000±300
KSF56*1200H7V7NH-U-E		7644	56	70	Natural white	5000±300
KSF56*1200H7V7CH-U-E		7644	56	70	Cool white	5700±300
KSF72*1200H7V7WM-U-E		9072	72	82	Warm white	3000±300
KSF72*1200H7V7NH-U-E		9828	72	70	Natural white	4000±300
KSF72*1200H7V7NH-U-E		9828	72	70	Natural white	5000±300
KSF72*1200H7V7CH-U-E		9828	72	70	Cool white	5700±300

Remarks: 1. \*Stands for Operating Voltage, including Default -AC-100~277V,A-AC/DC 24~48V,B-DC 10~30V.  
2.10-30VDC is not suitable for 72W.

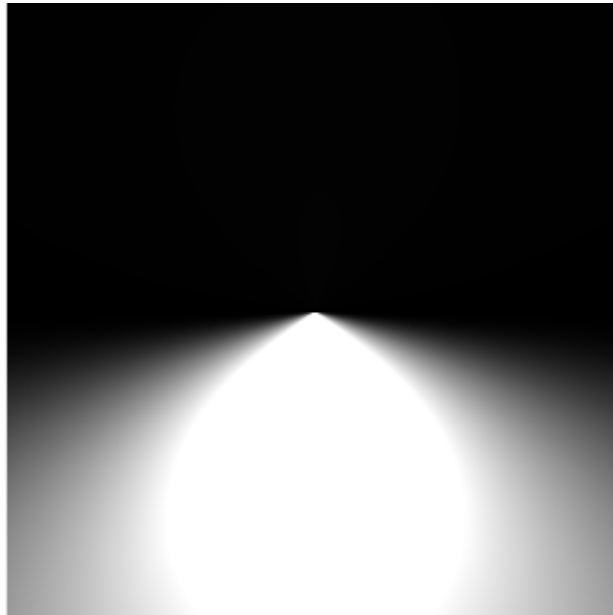
# CE ROHS

CE & RoHS Certified LED Linear light in Industrial Area.

## Candela Distribution



H7V7(120°)/High Efficacy LED Source

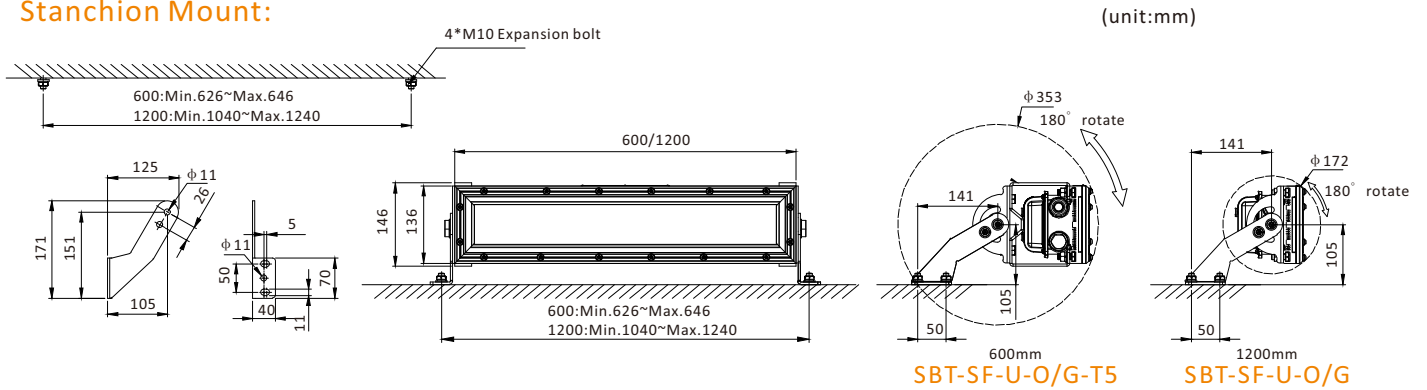


# CE ROHs

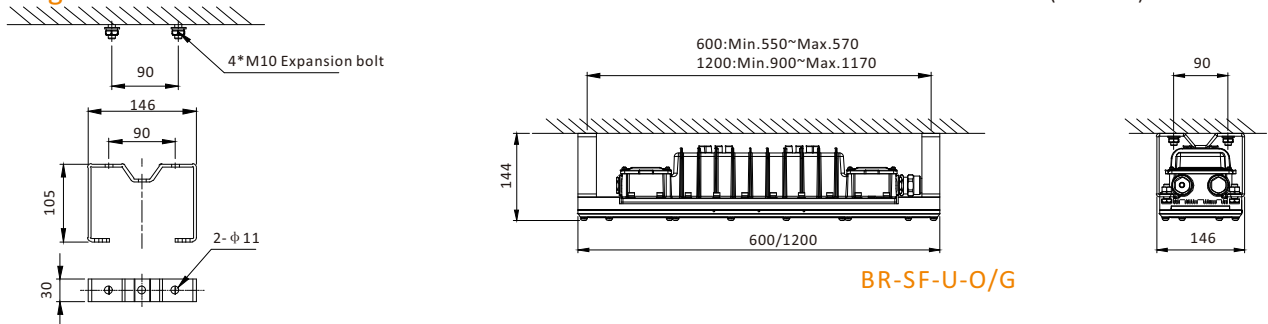
CE & RoHS Certified LED Linear light in Industrial Area.

## Installation Method

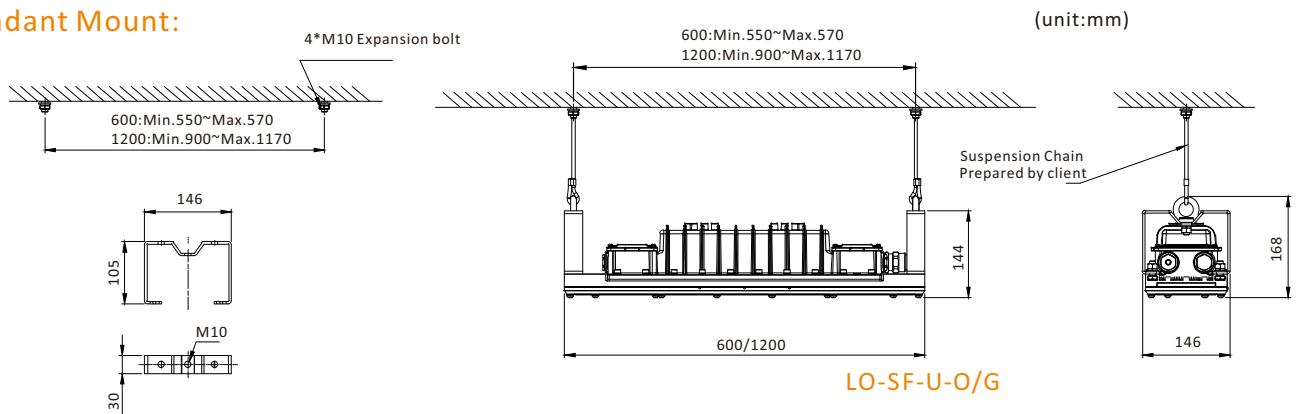
### Stanchion Mount:



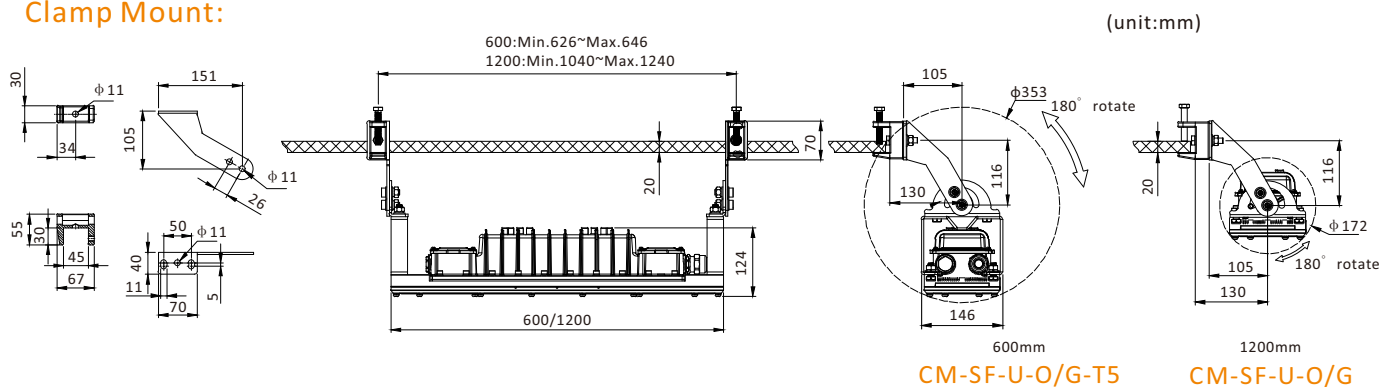
### Ceiling Mount:



### Pendant Mount:



### Clamp Mount:



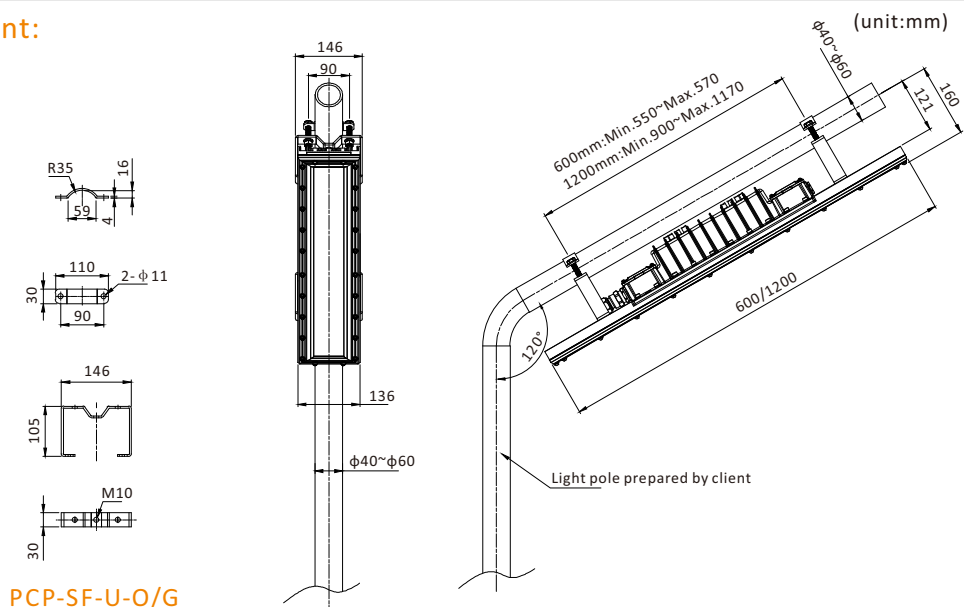


# CE ROHs

CE & RoHS Certified LED Linear light in Industrial Area.

## Installation Method

### Pipe Clamp Mount:



## Optional Parts

No.	Installation accessories	Part No.	Picture	Material	Weight(Kg)	QTY	Remark
1	Bracket	BR-SF-U-G		Q235	0.8	2	Ceiling Mount
2	Loop	LO-SF-U-G		Q235	1.2	2	Pendant Mount
3	Pipe Clamp	PCP-SF-U-G		Q235	1.8	2	Pipe clamp
4	Stanchion bracket	SBT-SF-U-G		Q235	2.6	2	Stanchion mount Wall mount (1200mm)
5	Clamp mount	CM-SF-U-G		Q235	3	2	Clamp mount (1200mm)
6	Stanchion bracket	SBT-SF-U-G-T5		Q235	3.4	2	Stanchion mount Wall mount (600mm)
7	Clamp mount	CM-SF-U-G-T5		Q235	3.8	2	Clamp mount (600mm)