

LED Explosion Proof Light

**UL Certified LED Linear light in Hazardous Area.
Swordfish Series**

Class I Division 2, Group A,B,C,D
Class II Division 2, Groups F,G,
UL844;UL1598A;UL1598;UL8750



Features And Benefits:

- High efficacy LED Source with long lifespan >50,000 hours
- 5-year performance warranty
- Low THD around 10%, Less interference
- 5KV Surge Protection
- Robust aluminium housing and strong tempered glass
- Vibration and shock resistant
- Low maintenance

Applications:



Oil&Gas Exploration



Drilling



Oil Refinery



Petrochemical Plant



Power Plant



Pharmaceutical Plant

UL Certified LED Linear light in Hazardous Area.

LED Linear light

Standard & Certificate:

Certificate:	<ul style="list-style-type: none"> UL Certification NO.:20170823- E491372 RoHS 	<ul style="list-style-type: none"> CE 	<ul style="list-style-type: none"> ABS
Executive Standard:	<ul style="list-style-type: none"> UL 1598 UL 1598A UL 844 UL 8750 	<ul style="list-style-type: none"> CSA C22.2 No.137-M1981 CSA C22.2 No.250.1-08 CSA C22.2 No.250.13 CSA C22.2 No.250.13-14 	
Classification:	<ul style="list-style-type: none"> Class I Division 2, Group A, B, C, D Class II Division 2, Group F, G 		

Electrical & Photometric Features:

Luminaire Efficacy:	136.5lm/W
Lifespan:	>50,000 hours
Operating Voltage:	100-277 VAC 141-392 VDC
Power(W):	36W/48W/56W(0.6m), 36W/48W/56W/72W/100W(1.2m)
Frequency:	50/60Hz
Power Factor:	>0.98
THD:	<10%
Insulation Class:	I
Surge Protection:	4KV/6KV
LED Driver:	Over voltage protection/short circuit protection

Mechanical Features:

Weight:	6.9Kg(0.6m)/11.5Kg(1.2m)
Size:	600*136*124mm(36W/48W/56W)/1200*136*124mm(36W/48W/56W/72W/100W)
Connecting Terminals:	3*1.0-4mm ² (L+N+PE)
Cable Entries:	2XNPT 3/4" (M20*1.5, M25*1.5 are optional)
Earthing Protection:	M4 (Internal & external earth bolts)
IP Code:	IP66
Enclosure Material:	Copper-free Aluminium
Enclosure Colour:	Orange, RAL2011(optional grey RAL7040)
Coating:	Epoxy powder coating
Exposed Fastener:	Stainless steel
Protective Cover:	Tempered glass, Stand 7J impact

Type	Class I Division 2 Group A, B, C, D	Class I Division 2 Group A, B, C, D	Class II Division 2 Group F, G
		-40°C~+45°C ambient	-40°C~+50°C ambient
1.2m	T5	T5	T4A
0.6m	T6	T5	T4A



UL Certified LED Linear light in Hazardous Area.

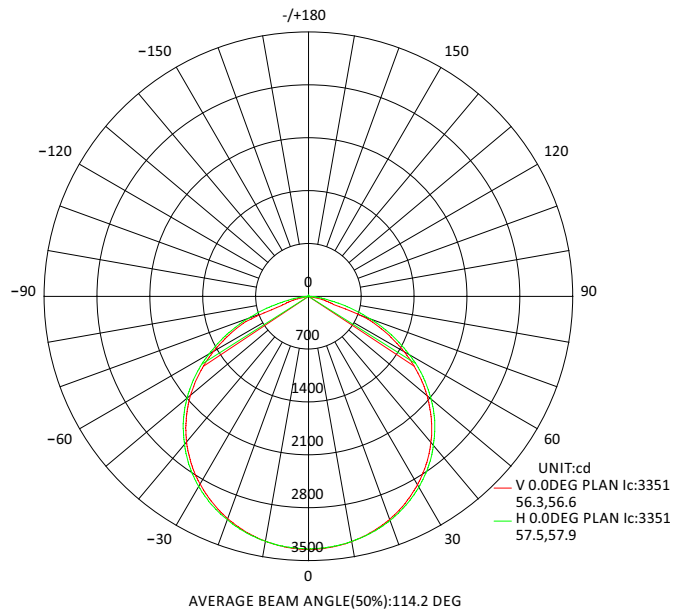
Production Definition

Ex	K	SF	XX	XX	XX	XX	XX	-U	-UL	-E	-X	
Type	Brand	Series	Power	Input Voltage	Length	Candela	Distribution	CCT(K)	Type	Type	Area	Color
Ex-Explosion Proof	K-KHJ	SF-Swordfish series	36-36W 48-48W 56-56W 72-72W 100-100W	Default-100-277 VAC	600-600mm 1200-1200mm	H7V7(120°)		WM-3000±300K NH-4000±300K NH-5000±300K CH-5700±300K	U- Update	UL- UL Certificate	E- English	Default-Orange G-Grey

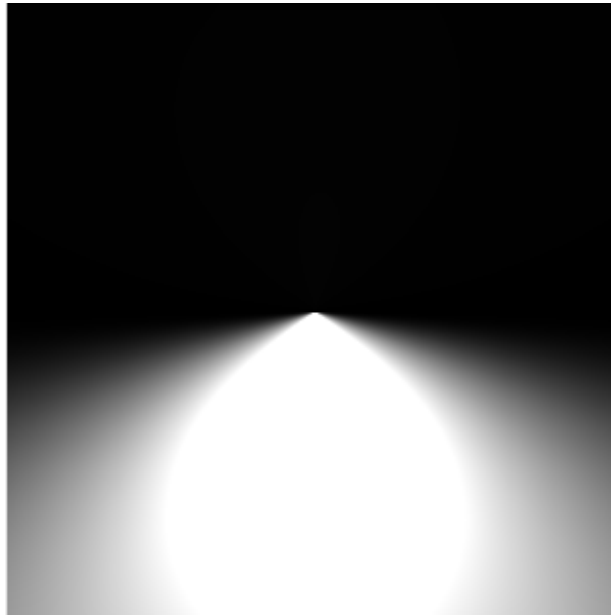
Ordering Information

P/N	Operating Voltage(V)	Luminous Flux(lm)	Power(W)	CRI	Color Temp.	CCT(K)
Ex-KSF36600H7V7WM-U-UL-E	100-277 AC (141-392 DC)	4536	36	82	Warm white	3000±300
Ex-KSF36600H7V7NH-U-UL-E		4914	36	70	Natural white	4000±300
Ex-KSF36600H7V7NH-U-UL-E		4914	36	70	Natural white	5000±300
Ex-KSF36600H7V7CH-U-UL-E		4914	36	70	Cool white	5700±300
Ex-KSF48600H7V7WM-U-UL-E		6048	48	82	Warm white	3000±300
Ex-KSF48600H7V7NH-U-UL-E		6552	48	70	Natural white	4000±300
Ex-KSF48600H7V7NH-U-UL-E		6552	48	70	Natural white	5000±300
Ex-KSF48600H7V7CH-U-UL-E		6552	48	70	Cool white	5700±300
Ex-KSF56600H7V7WM-U-UL-E		7056	56	82	Warm white	3000±300
Ex-KSF56600H7V7NH-U-UL-E		7644	56	70	Natural white	4000±300
Ex-KSF56600H7V7NH-U-UL-E		7644	56	70	Natural white	5000±300
Ex-KSF56600H7V7CH-U-UL-E		7644	56	70	Cool white	5700±300
Ex-KSF361200H7V7WM-U-UL-E		4536	36	82	Warm white	3000±300
Ex-KSF361200H7V7NH-U-UL-E		4914	36	70	Natural white	4000±300
Ex-KSF361200H7V7NH-U-UL-E		4914	36	70	Natural white	5000±300
Ex-KSF361200H7V7CH-U-UL-E		4914	36	70	Cool white	5700±300
Ex-KSF481200H7V7WM-U-UL-E		6048	48	82	Warm white	3000±300
Ex-KSF481200H7V7NH-U-UL-E		6552	48	70	Natural white	4000±300
Ex-KSF481200H7V7NH-U-UL-E		6552	48	70	Natural white	5000±300
Ex-KSF481200H7V7CH-U-UL-E		6552	48	70	Cool white	5700±300
Ex-KSF561200H7V7WM-U-UL-E		7056	56	82	Warm white	3000±300
Ex-KSF561200H7V7NH-U-UL-E		7644	56	70	Natural white	4000±300
Ex-KSF561200H7V7NH-U-UL-E		7644	56	70	Natural white	5000±300
Ex-KSF561200H7V7CH-U-UL-E		7644	56	70	Cool white	5700±300
Ex-KSF721200H7V7WM-U-UL-E		9072	72	82	Warm white	3000±300
Ex-KSF721200H7V7NH-U-UL-E		9828	72	70	Natural white	4000±300
Ex-KSF721200H7V7NH-U-UL-E		9828	72	70	Natural white	5000±300
Ex-KSF721200H7V7CH-U-UL-E		9828	72	70	Cool white	5700±300
Ex-KSF1001200H7V7WM-U-UL-E		12600	100	82	Warm white	3000±300
Ex-KSF1001200H7V7NH-U-UL-E		13650	100	70	Natural white	4000±300
Ex-KSF1001200H7V7NH-U-UL-E		13650	100	70	Natural white	5000±300
Ex-KSF1001200H7V7CH-U-UL-E		13650	100	70	Cool white	5700±300

Candela Distribution

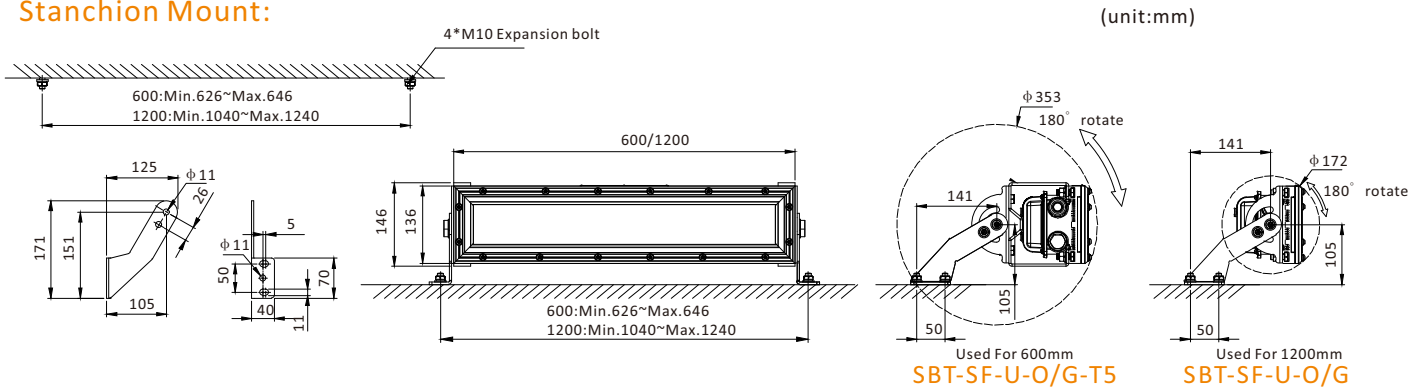


H7V7(120°)/High Efficacy LED Source

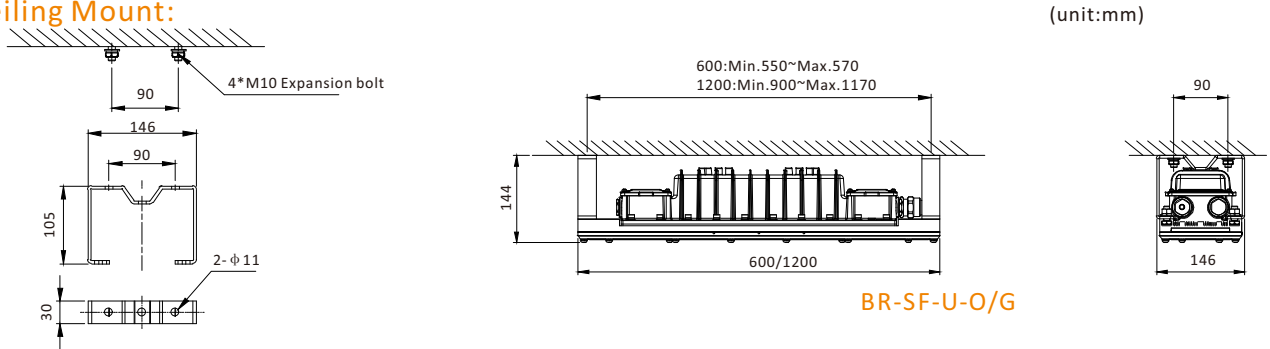


Installation Method

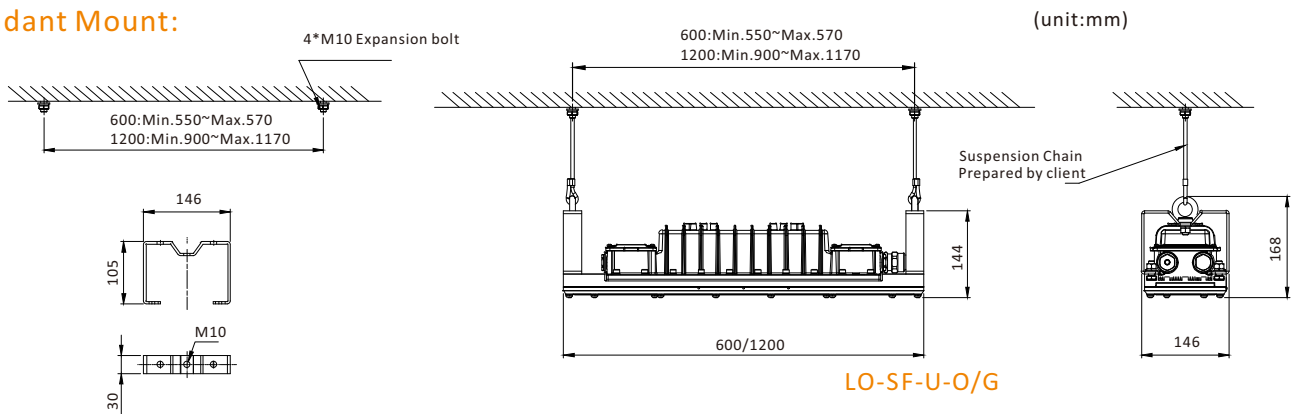
Stanchion Mount:



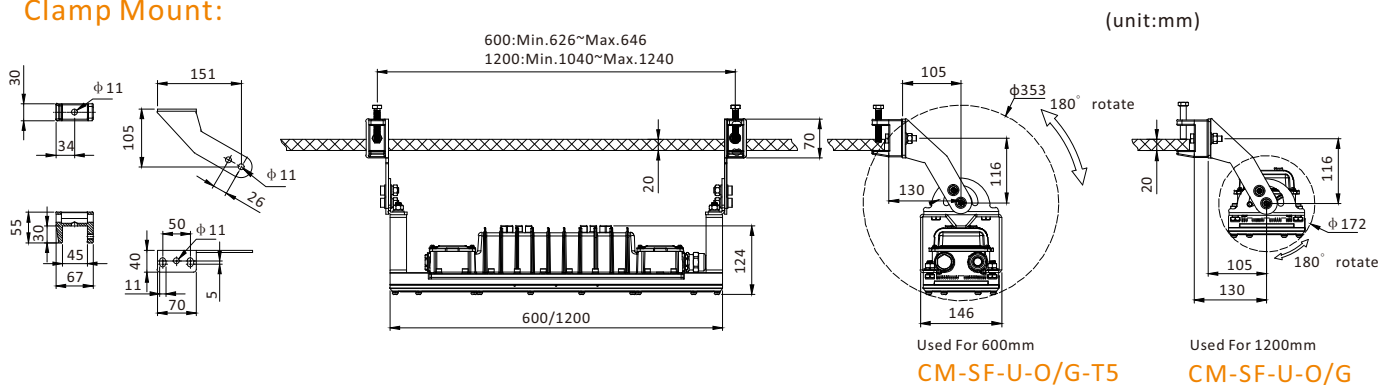
Ceiling Mount:



Pendant Mount:

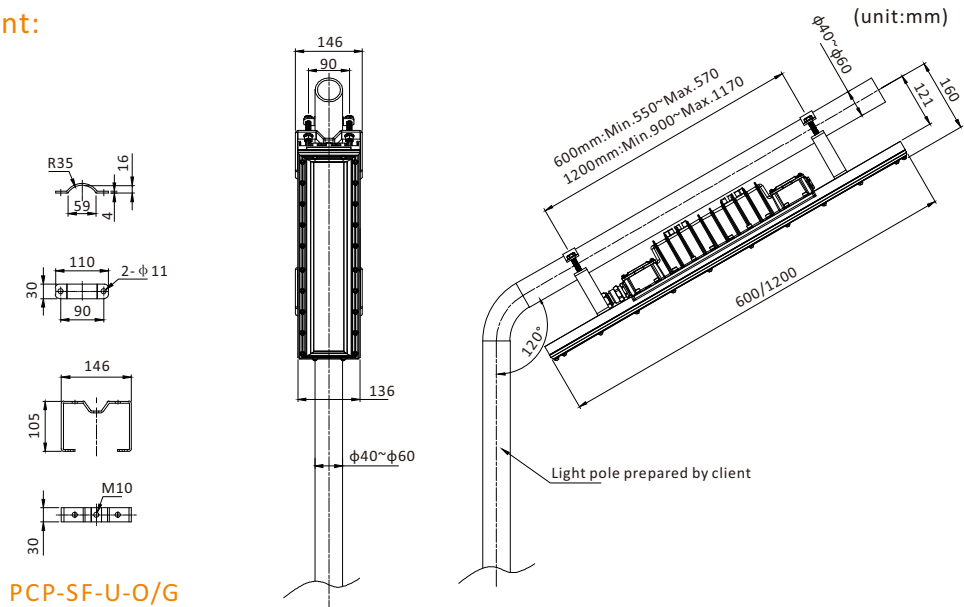


Clamp Mount:






Installation Method

Pipe Clamp Mount:



Optional Parts

No.	Installation accessories	Part No.	Picture	Material	Weight(Kg)	QTY	Remark
1	Bracket	BR-SF-U-O/G		Q235	0.8	2	Ceiling Mount
2	Loop	LO-SF-U-O/G		Q235	1.2	2	Pendant Mount
3	Pipe Clamp	PCP-SF-U-O/G		Q235	1.8	2	Pipe clamp
4	Stanchion bracket	SBT-SF-U-O/G		Q235	2.6	2	Stanchion mount Wall mount (1200mm)
5	Clamp mount	CM-SF-U-O/G		Q235	3	2	Clamp mount (1200mm)
6	Stanchion bracket	SBT-SF-U-O/G-T5		Q235	3.4	2	Stanchion mount Wall mount (600mm)
7	Clamp mount	CM-SF-U-O/G-T5		Q235	3.8	2	Clamp mount (600mm)