



## LED Industrial Light

**CE & RoHS Certified LED Floodlight/bay light in Industrial Area.  
Brown Bear Series**

**CE RoHS**

[www.khjled.com](http://www.khjled.com)





## Features And Benefits:

- High efficacy LED Source with long lifespan >50,000 hours
- 5-year performance warranty
- Low THD around 10%, Less interference
- 5KV Surge Protection
- Robust aluminium housing and strong tempered glass
- Vibration and shock resistant
- Low maintenance

## Applications:



Cement plants



Warehouse



Factory



Power Generation



Power Transmission



Shipping industry

# CE RoHS

CE & RoHS Certified LED Floodlight/bay light in Industrial Area.

## LED Floodlight/Bay light

### Standard & Certificate:

Certificate:	• CE	• RoHS
Executive Standard:	• EN 55015, EN 61547, EN 61000-3-2, EN 61000-3-3 • EN 60598-1, EN 60598-2-5, EN 62031, EN 62493 • IEC 62321-4, IEC 62321-5, IEC 62321-6 • IEC 62321-7-1, IEC 62321-7-2, IEC 62321-8	

### Electrical & Photometric Features:

Luminaire Efficacy:	142lm/W
Lifespan:	>50,000 hours
Operating Voltage:	100-277 VAC 141-392 VDC
Power:	80W/100W/120W/150W
Frequency:	50/60Hz
Power Factor:	>0.98
THD:	<10%
Insulation Class:	I
Surge Protection:	5KV(80W,100W)/10KV(120W,150W)
LED Driver:	Over voltage protection/short circuit protection

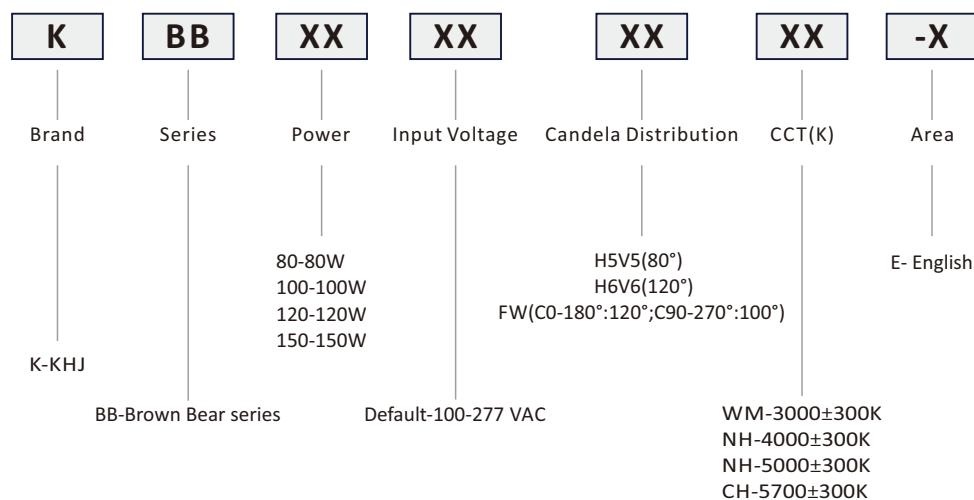
### Mechanical Features:

Weight:	10.5Kg
Size:	336*336*163mm
Ambient Temperature:	-40°C-+55°C
Connecting Terminals:	3*1.0-4.0mm <sup>2</sup> (L+N+PE)
Cable Entries:	2 x M25*1.5 (M20*1.5 is optional)
Earthing Protection:	M4 (Internal & external earth bolts)
IP Code:	IP66
Enclosure Material:	Die-casting aluminium alloy
Enclosure Colour:	Grey RAL7040
Coating:	Epoxy powder coating
Exposed Fastener:	Stainless steel
Protective Cover:	Tempered glass,Stand 7J impact

# CE RoHS

CE & RoHS Certified LED Floodlight/bay light in Industrial Area.

## Production Definition



## Ordering Information

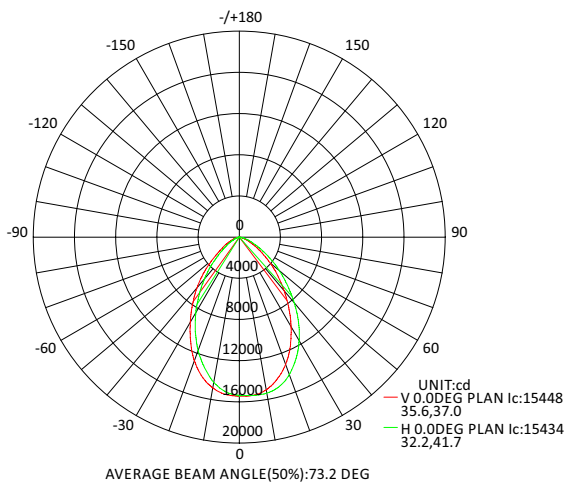
P/N	Operating Voltage(V)	Luminous Flux(lm)	Power(W)	CRI	Color Temp.	CCT(K)
KBB80*WM-E	100-277 AC (141-392 DC)	10500	80	70	Warm white	3000±300
KBB80*NH-E		11340	80	70	Natural white	4000±300
KBB80*NH-E		11340	80	70	Natural white	5000±300
KBB80*CH-E		11340	80	70	Cool white	5700±300
KBB100*WM-E		13125	100	70	Warm white	3000±300
KBB100*NH-E		14175	100	70	Natural white	4000±300
KBB100*NH-E		14175	100	70	Natural white	5000±300
KBB100*CH-E		14175	100	70	Cool white	5700±300
KBB120*WM-E		15750	120	70	Warm white	3000±300
KBB120*NH-E		17010	120	70	Natural white	4000±300
KBB120*NH-E		17010	120	70	Natural white	5000±300
KBB120*CH-E		17010	120	70	Cool white	5700±300
KBB150*WM-E		19687	150	70	Warm white	3000±300
KBB150*NH-E		21262	150	70	Natural white	4000±300
KBB150*NH-E		21262	150	70	Natural white	5000±300
KBB150*CH-E		21262	150	70	Cool white	5700±300

Remarks: 1.\* Stands for beam angle,including H5V5 / H6V6/FW;  
 2.For Beam angle H5V5,the luminous flux will be 15% less;  
 3.For Beam angle FW,the luminous flux will be 30% less;

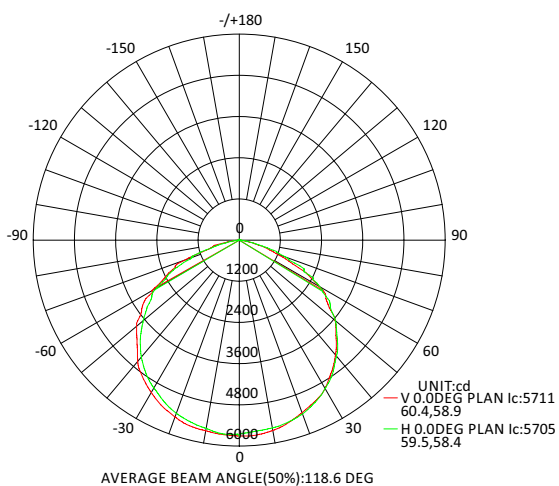
# CE RoHS

CE & RoHS Certified LED Floodlight/bay light in Industrial Area.

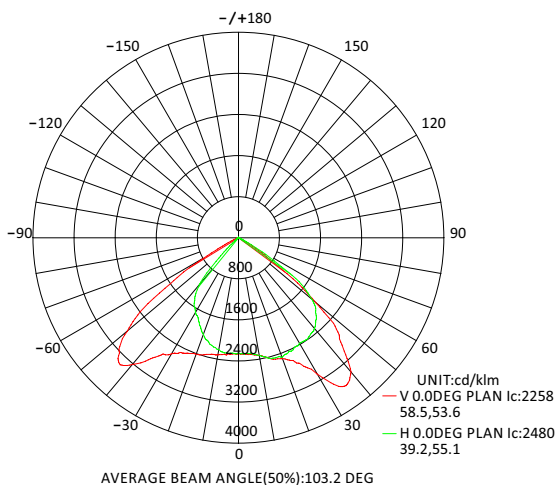
## Candela Distribution



H5V5(80°)/High efficacy LED Source



H6V6(120°)/High efficacy LED Source



FW/High efficacy LED Source





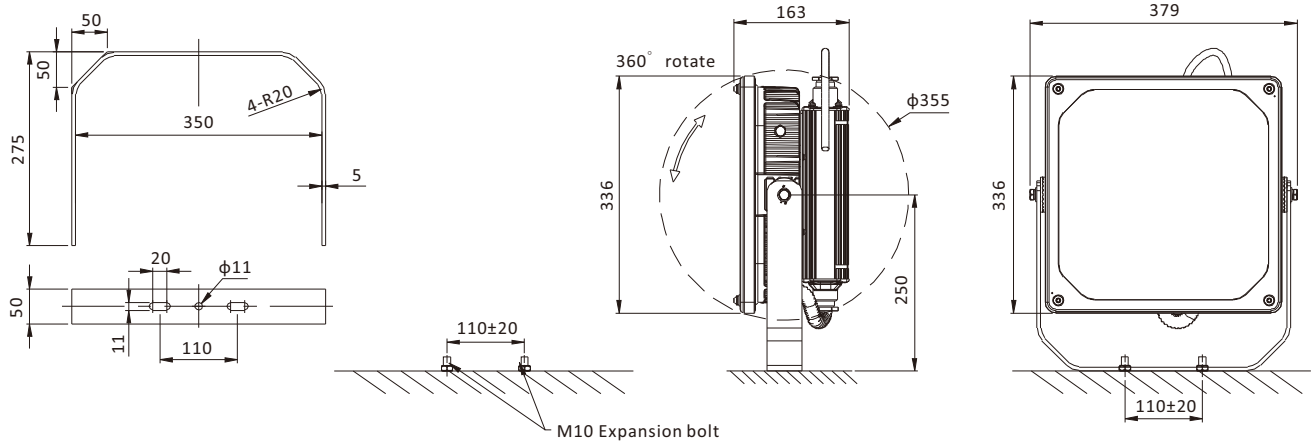
# CE RoHS

CE & RoHS Certified LED Floodlight/bay light in Industrial Area.

## Installation Method

### Stanchion Mount:

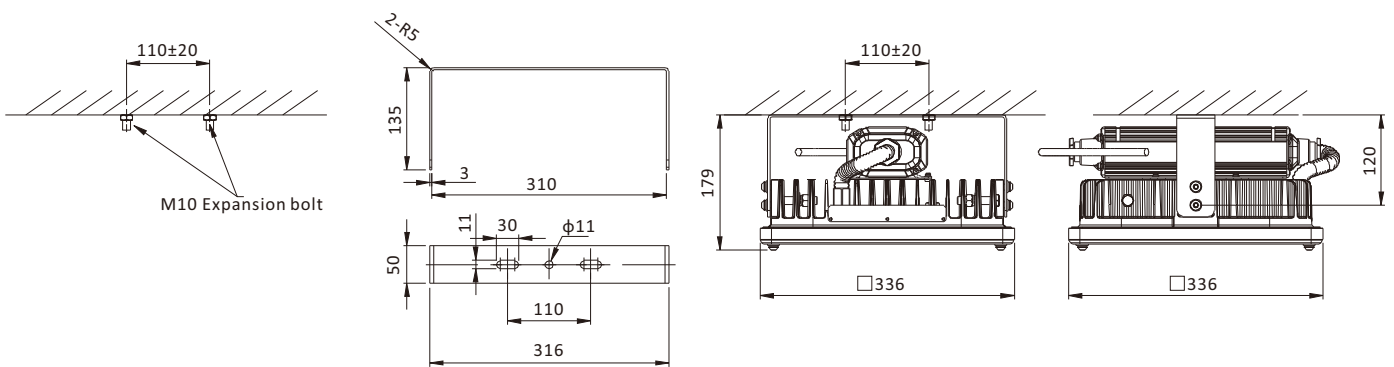
(unit:mm)



SBT-BB-G

### Ceiling Mount:

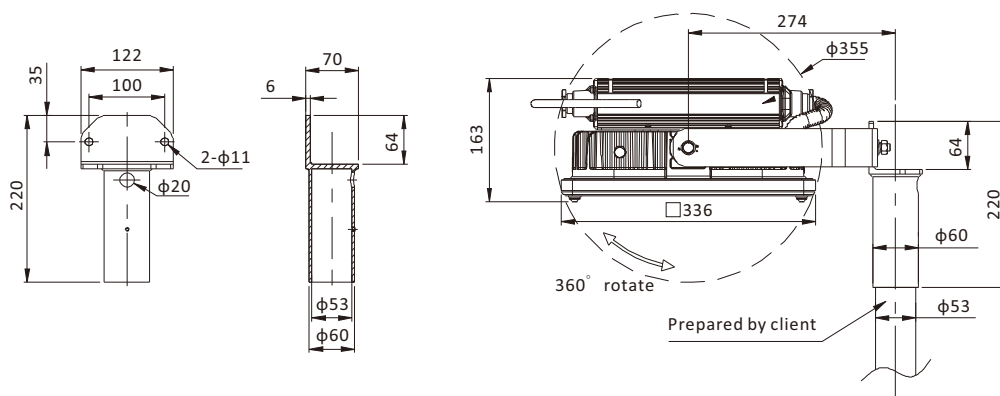
(unit:mm)



BR-BB-G

### Pole Mount:

(unit:mm)



SBT2-F-G+SBT-BB-G

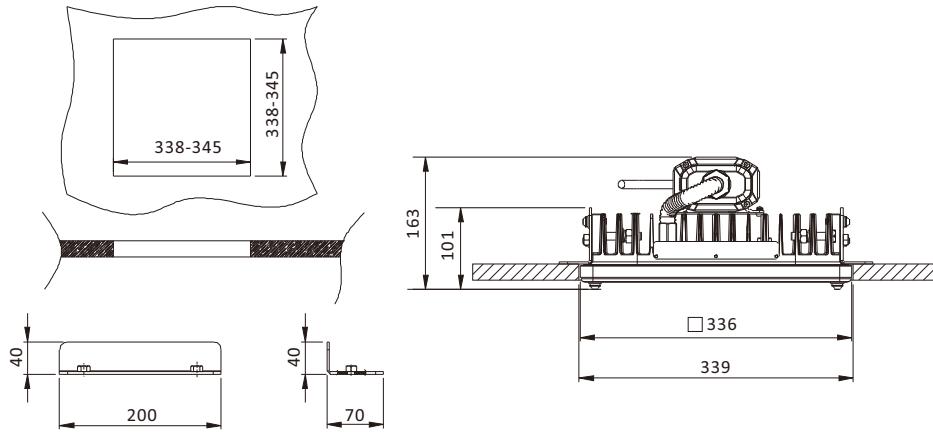
# CE RoHS

CE & RoHS Certified LED Floodlight/bay light in Industrial Area.

## Installation Method

Built-in Mount:

(unit:mm)



IB-BB-S

## Optional Parts

No.	Installation accessories	Part No.	Picture	Material	Weight(Kg)	QTY	Remark
1	Ceiling Bracket	BR-BB-G		Q235	1.2	1	Ceiling mount
2	Built-in Bracket	IB-BB-S		Q235	1	1	Built-in mount
3	Stanchion Bracket	SBT-BB-G		Q235	1.8	1	Stanchion mount
4	Pole mount Bracket	SBT-BB-G SBT2-F-G		Q235	4.8	1	Pole mount