

## LED Explosion Proof Light

**ATEX Certified LED Floodlight/Bay light in Hazardous Area.  
Brown Bear Series**

- ⊕ II 3 G Ex nR IIC T5 or T6 Gc
- ⊕ II 3 D Ex tc III C T95°C or T85°C Dc



## Features And Benefits:

- High efficacy LED Source with long lifespan >50,000 hours
- 5-year performance warranty
- Low THD around 10%, Less interference
- Max 10KV Surge Protection
- Robust aluminium housing and strong tempered glass
- Vibration and shock resistant
- Low maintenance

## Applications:



Oil&Gas Exploration



Drilling



Oil Refinery



Petrochemical Plant



Power Plant



Pharmaceutical Plant



ATEX Certified LED Floodlight/Bay light in Hazardous Area.

## LED Floodlight/Bay light

### Standard & Certificate:

Ex Mark:	Gas: ⚠ II 3 G Ex nR IIC T5 or T6 Gc Dust: ⚠ II 3 D Ex tc IIIC T95°C or T85°C Dc
Certificate:	• ATEX Certification NO.: TÜV 15 ATEX 7672 X • CE • RoHS
Executive Standard:	• (IEC)EN 60079-0, (IEC)EN 60079-15, (IEC)EN 60079-31 • EN 55015, EN 61547, EN 61000-3-2, EN 61000-3-3, • EN 60598-1, EN 60598-2-5, EN 62031, EN 62493, • IEC 62321-4, IEC 62321-5, IEC 62321-6, IEC 62321-7-1, • IEC 62321-7-2, IEC 62321-8
Classification:	• Group II ,Zone 2 & 22

### Electrical & Photometric Features:

Luminaire Efficacy:	142lm/W
Lifespan:	>50,000 hours
Operating Voltage:	100-277 VAC 141-392 VDC
Power:	80W/100W/120W/150W
Frequency:	50/60Hz
Power Factor:	>0.98
THD:	<10%
Insulation Class:	I
Surge Protection:	5KV(80W,100W)/10KV(120W,150W)
LED Driver:	Over voltage protection/short circuit protection

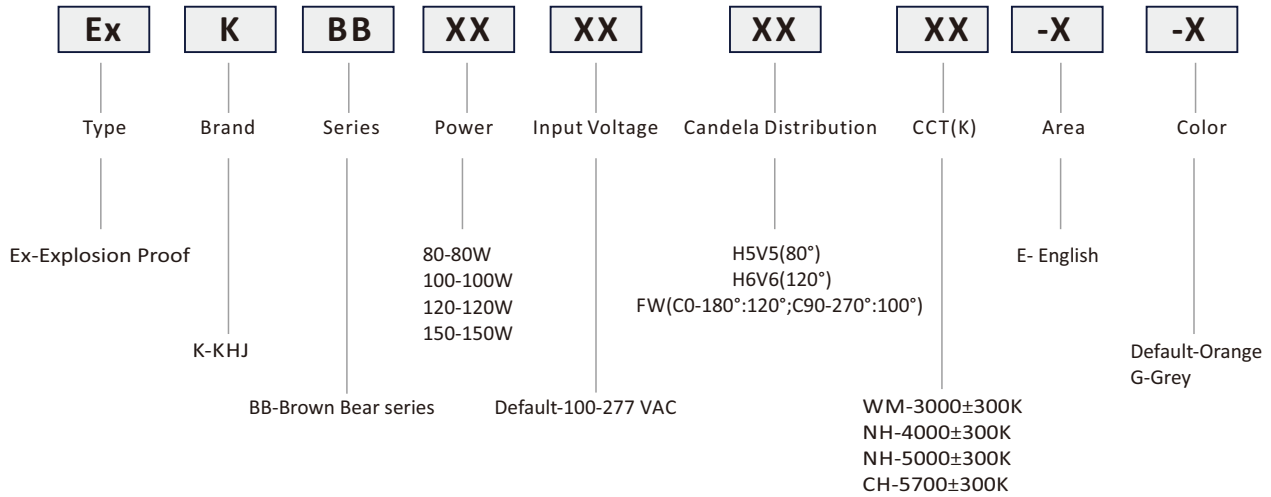
### Mechanical Features:

Weight:	10.5Kg
Size:	336*336*163mm
Ambient Temperature:	-40°C~+55°C
Connecting Terminals:	3*1.0-4.0mm <sup>2</sup> (L+N+PE)
Cable Entries:	2XNPT 3/4" (M20*1.5, M25*1.5 are optional)
Earthing Protection:	M4 (Internal & external earth bolts)
IP Code:	IP66
Enclosure Material:	Die-casting aluminium alloy
Enclosure Colour:	Orange, RAL2011(optional grey RAL7040)
Coating:	Epoxy powder coating
Exposed Fastener:	Stainless steel
Protective Cover:	Tempered glass, Stand 7J impact



ATEX Certified LED Floodlight/Bay light in Hazardous Area.

## Production Definition



## Ordering Information

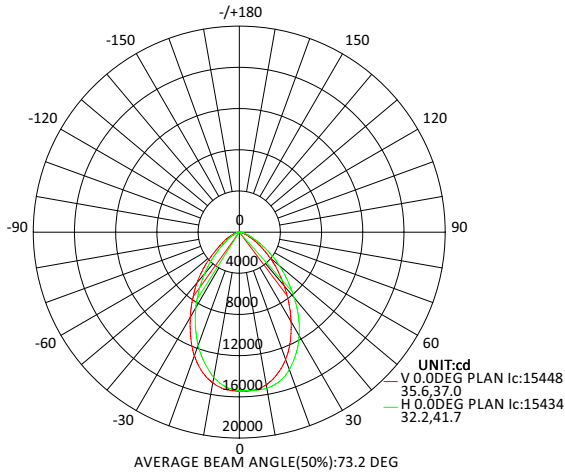
P/N	Operating Voltage(V)	Luminous Flux(lm)	Power(W)	CRI	Color Temp.	CCT(K)	Temp. Classification	
							-40°C-+55°C	-40°C-+65°C
Ex-KBB80*WM-E	100-277 AC (141-392 DC)	10500	80	70	Warm white	3000±300	T6	T5
Ex-KBB80*NH-E		11340	80	70	Natural white	4000±300	T6	T5
Ex-KBB80*NH-E		11340	80	70	Natural white	5000±300	T6	T5
Ex-KBB80*CH-E		11340	80	70	Cool white	5700±300	T6	T5
Ex-KBB100*WM-E		13125	100	70	Warm white	3000±300	T6	/
Ex-KBB100*NH-E		14175	100	70	Natural white	4000±300	T6	/
Ex-KBB100*NH-E		14175	100	70	Natural white	5000±300	T6	/
Ex-KBB100*CH-E		14175	100	70	Cool white	5700±300	T6	/
Ex-KBB120*WM-E		15750	120	70	Warm white	3000±300	T5	/
Ex-KBB120*NH-E		17010	120	70	Natural white	4000±300	T5	/
Ex-KBB120*NH-E		17010	120	70	Natural white	5000±300	T5	/
Ex-KBB120*CH-E		17010	120	70	Cool white	5700±300	T5	/
Ex-KBB150*WM-E		19687	150	70	Warm white	3000±300	T5	/
Ex-KBB150*NH-E		21262	150	70	Natural white	4000±300	T5	/
Ex-KBB150*NH-E		21262	150	70	Natural white	5000±300	T5	/
Ex-KBB150*CH-E		21262	150	70	Cool white	5700±300	T5	/

Remarks: 1.\* Stands for beam angle,including H5V5 / H6V6/FW;  
2.For Beam angle H5V5,the luminous flux will be 15% less;  
3.For Beam angle FW,the luminous flux will be 30% less;

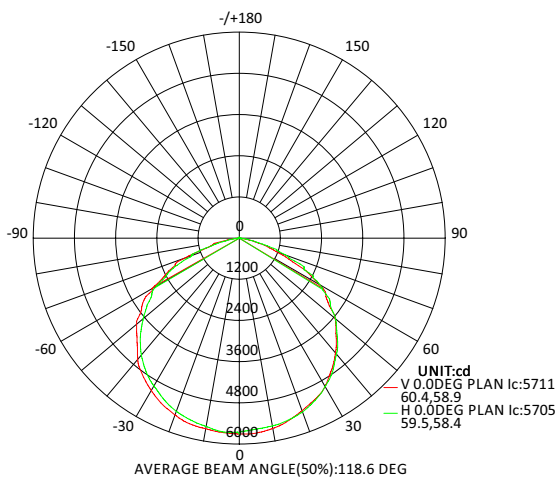


ATEX Certified LED Floodlight/Bay light in Hazardous Area.

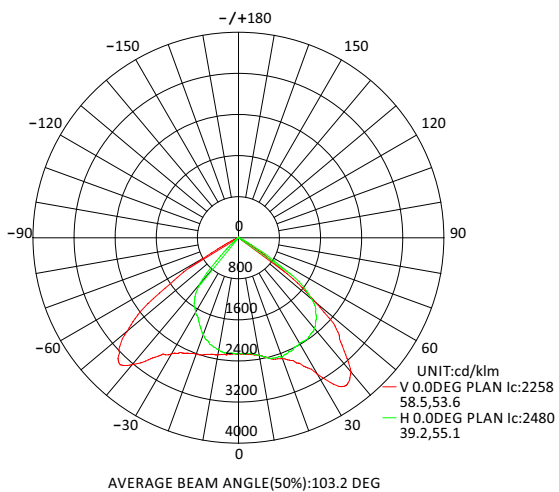
## Candela Distribution



H5V5(80°)/High efficacy LED Source



H6V6(120°)/High efficacy LED Source



FW/High efficacy LED Source



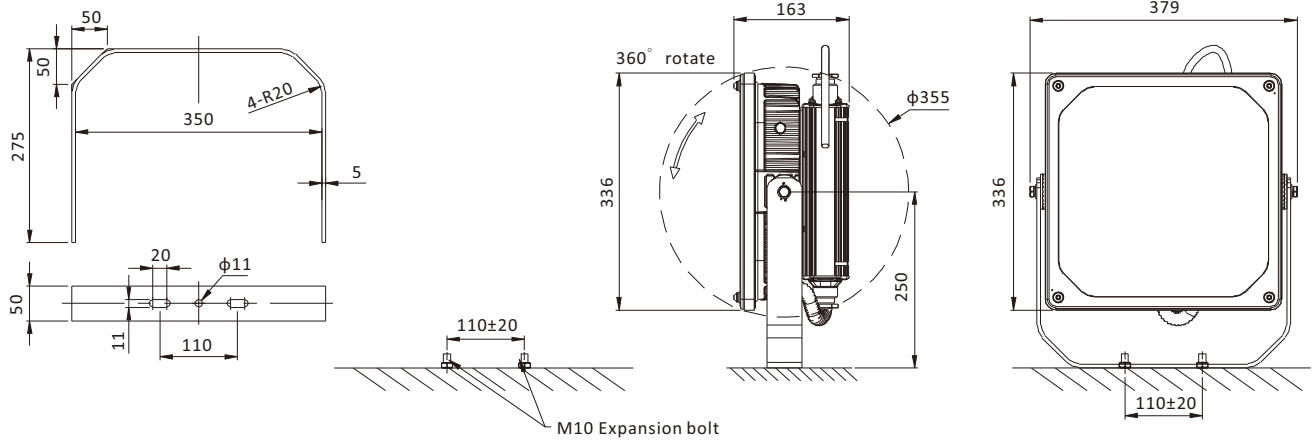


ATEX Certified LED Floodlight/Bay light in Hazardous Area.

## Installation Method

### Stanchion Mount:

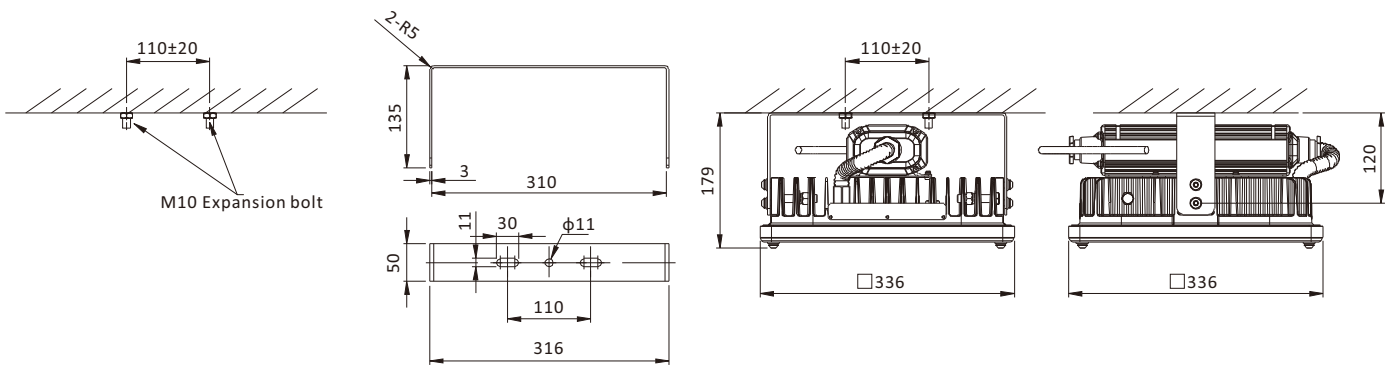
(unit:mm)



SBT-BB-O/G

### Ceiling Mount:

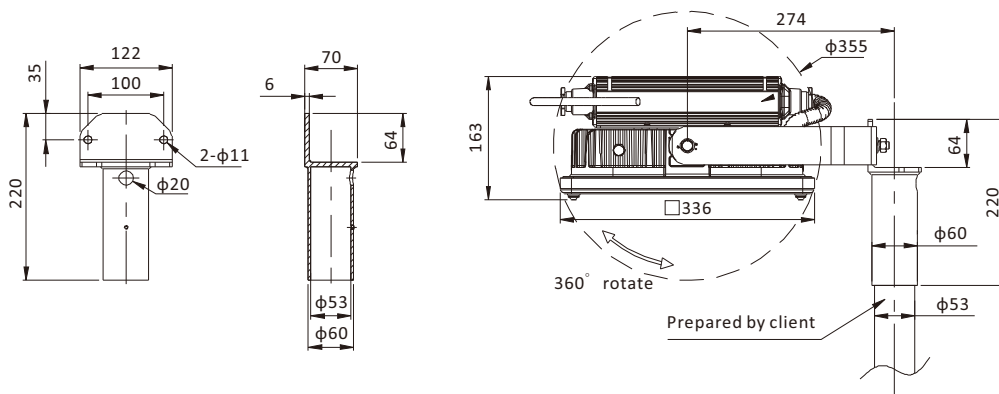
(unit:mm)



BR-BB-O/G

### Pole Mount:

(unit:mm)



SBT2-F-O/G+SBT-BB-O/G

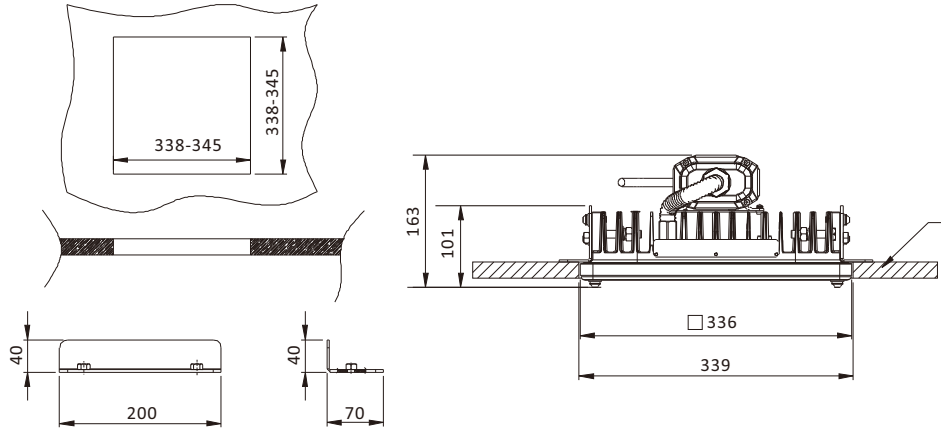


ATEX Certified LED Floodlight/Bay light in Hazardous Area.

## Installation Method


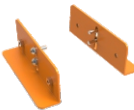


Built-in Mount:

(unit:mm)



IB-BB-S

## Optional Parts

No.	Installation accessories	Part No.	Picture	Material	Weight(Kg)	QTY	Remark
1	Ceiling Bracket	BR-BB-O/G		Q235	1.2	1	Ceiling mount
2	Built-in Bracket	IB-BB-S		Q235	1	1	Built-in mount
3	Stanchion Bracket	SBT-BB-O/G		Q235	1.8	1	Stanchion mount
4	Pole mount Bracket	SBT-BB-O/G SBT2-F-O/G		Q235	4.8	1	Pole mount